



WWW.HSPUTELIDS.COM

1300 441 498

Part No: A12-1

Fitting Time: 20 mins



# Volkswagen Amarok

Dampening action only

HSP TAIL ASSIST

---

FITTING INSTRUCTIONS

## —GENERAL NOTES

---

- Read through the fitting instructions prior to installation of accessory.
- Ensure all recyclable components and packaging are discarded and recycled following local recycling regulations.
- Safely store and protect any removed vehicle components.

## —SAFETY NOTES

---

- Check that all work practices comply with safety standards.
- Please wear appropriate clothing and use safety equipment.

## —FITTING TIME

---



20 mins

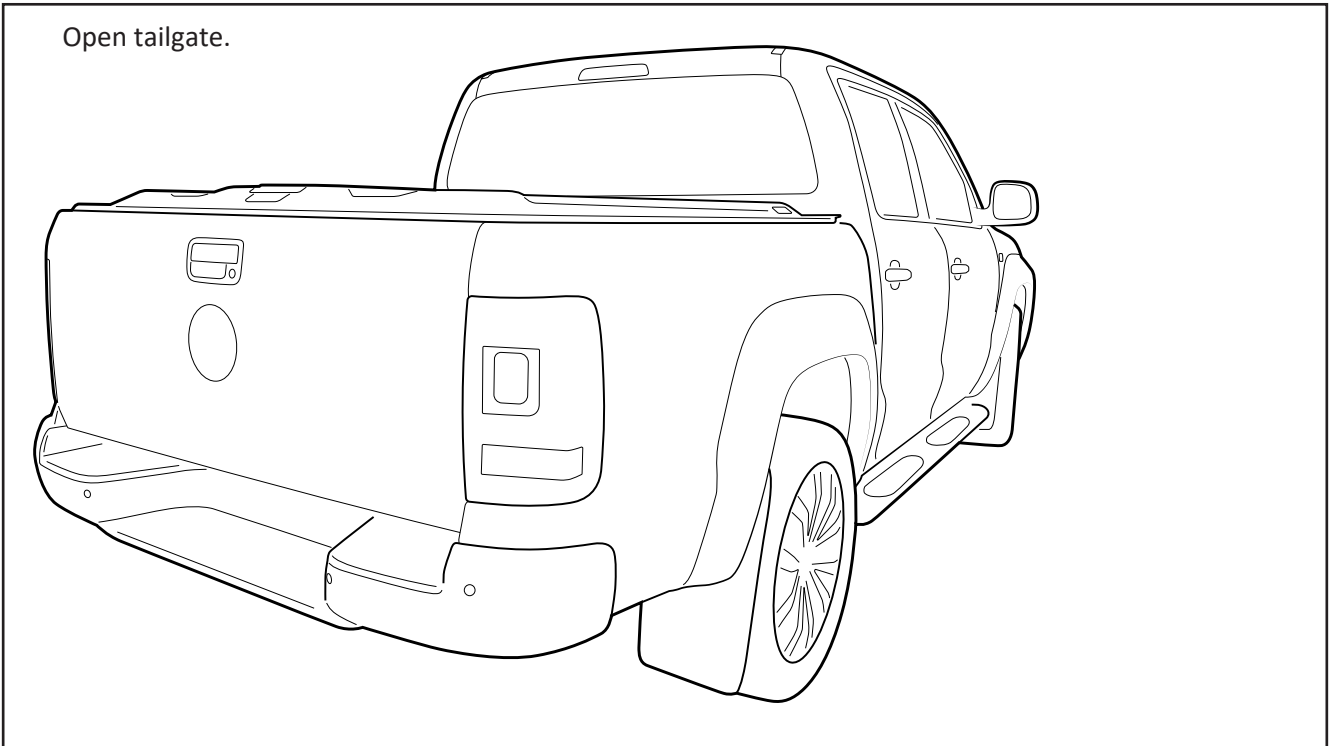
## —PARTS SUPPLIED

---

<b>PART NUMBER</b>	<b>PART DESCRIPTION</b>	<b>QUANTITY</b>
KSD-SPEC-2	Dampener strut	1
TA-10RH	Tailgate mount R/H	1
TA-15	M8 Shoulder bolt- tub mount	1
TA-16	Strut locking bolt	1
	<b><u>NUTS AND BOLTS</u></b>	
47	M8 x 25mm Bolt	1
	<b><u>OTHER</u></b>	
TR-320	Clear protection tape	1

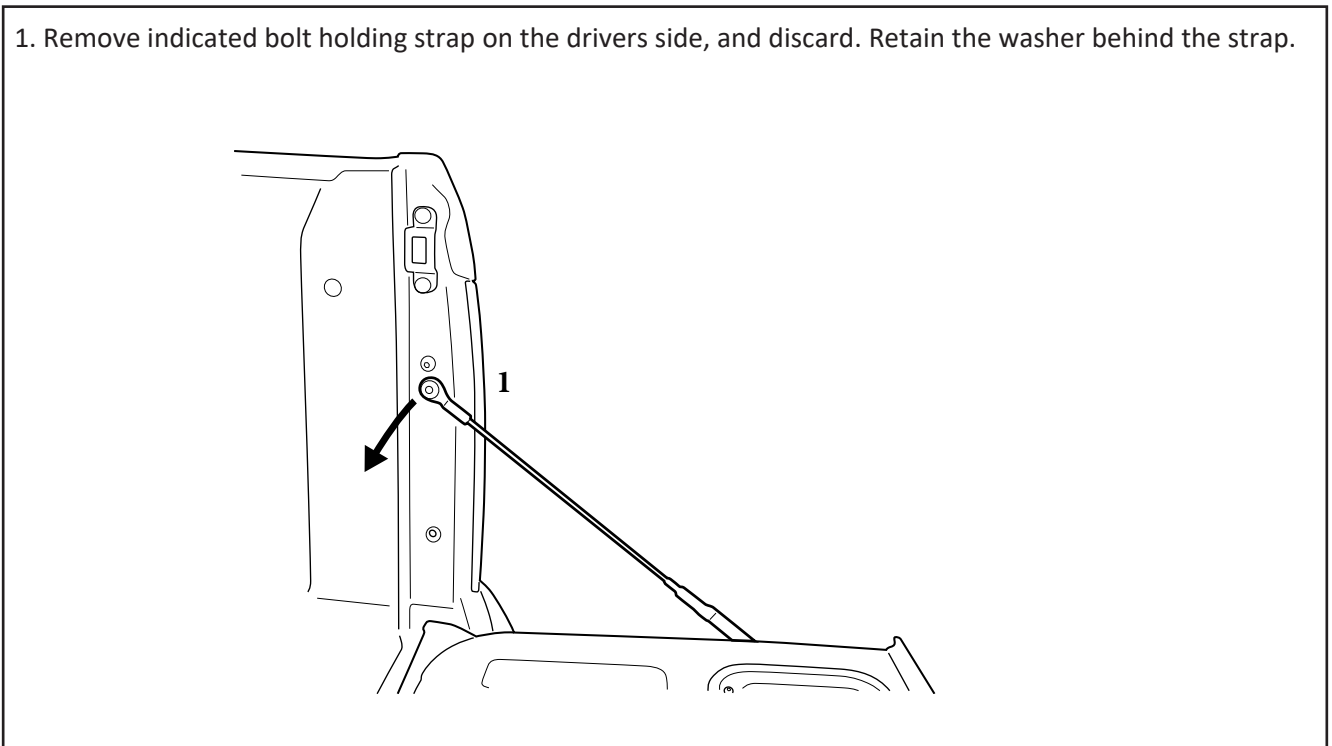
— STEP 1 —

Open tailgate.



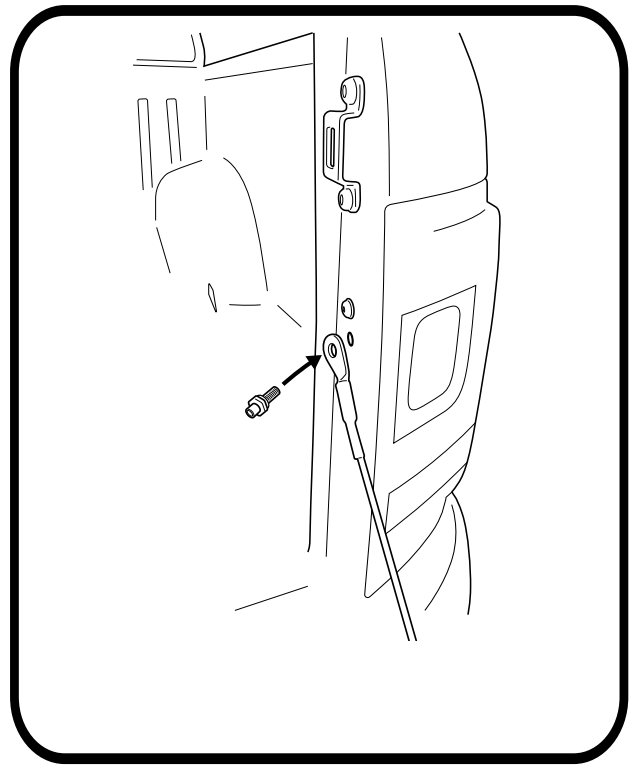
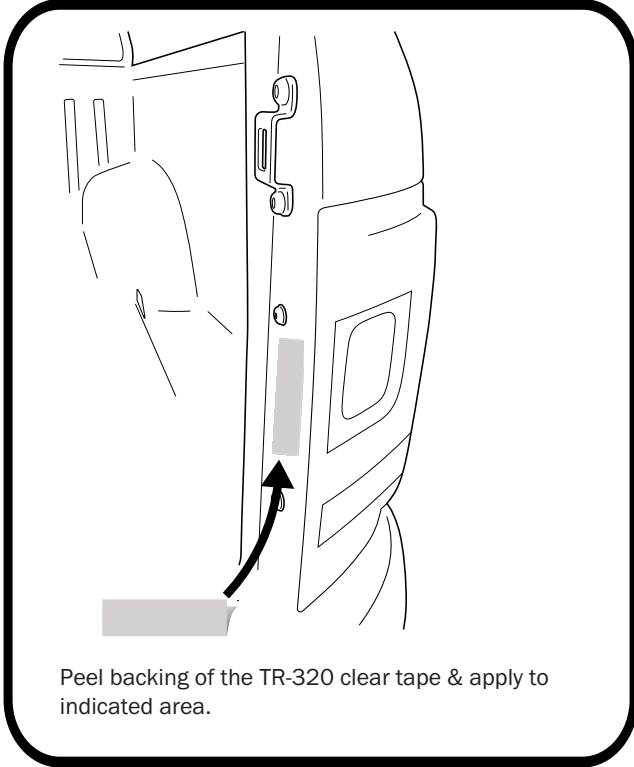
— STEP 2 —

1. Remove indicated bolt holding strap on the drivers side, and discard. Retain the washer behind the strap.



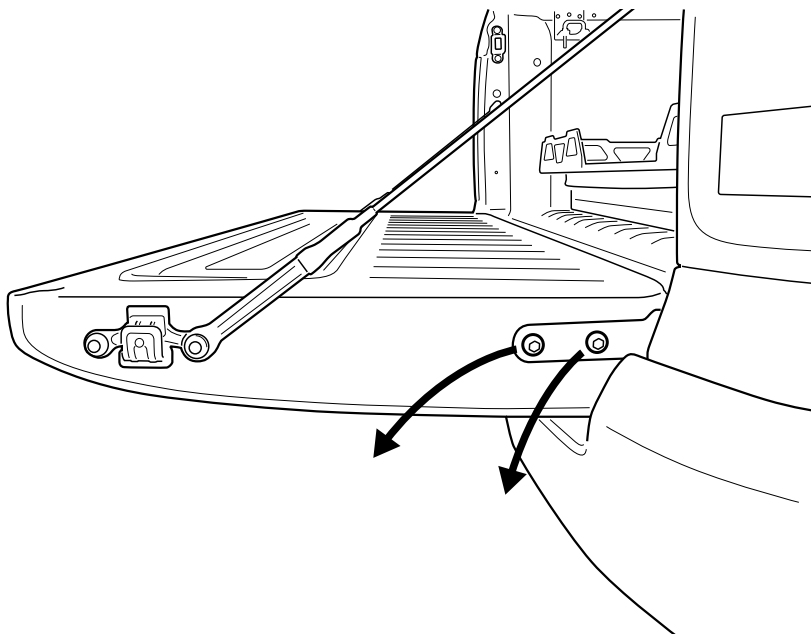
## — STEP 3 —

1. Apply clear protection tape ( TR-320) as indicated.
2. Feed part number TA-15, (M8 shoulder bolt) through strap, Now tighten.



## — STEP 4 —

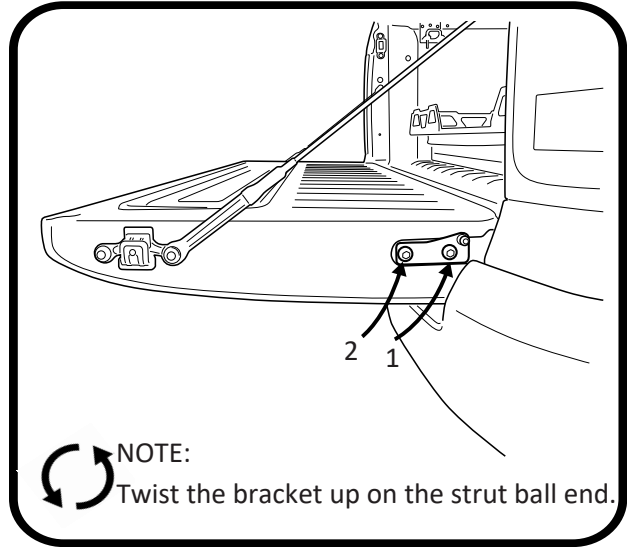
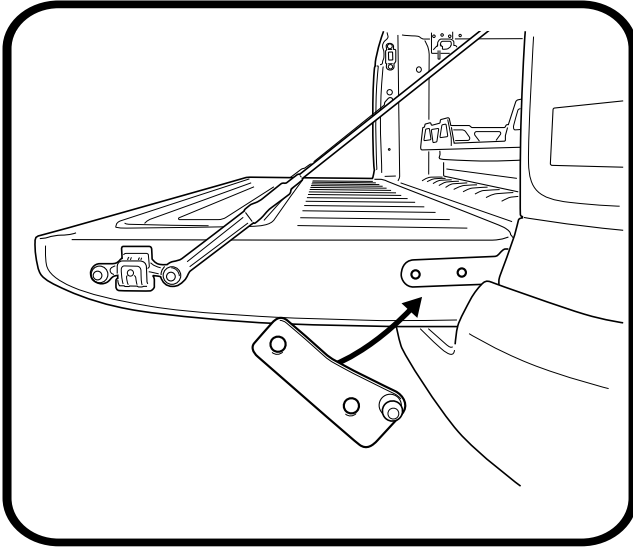
Remove indicated bolts, and retain.



NOTE: Care must be taken not to loose alignment of the tailgate.

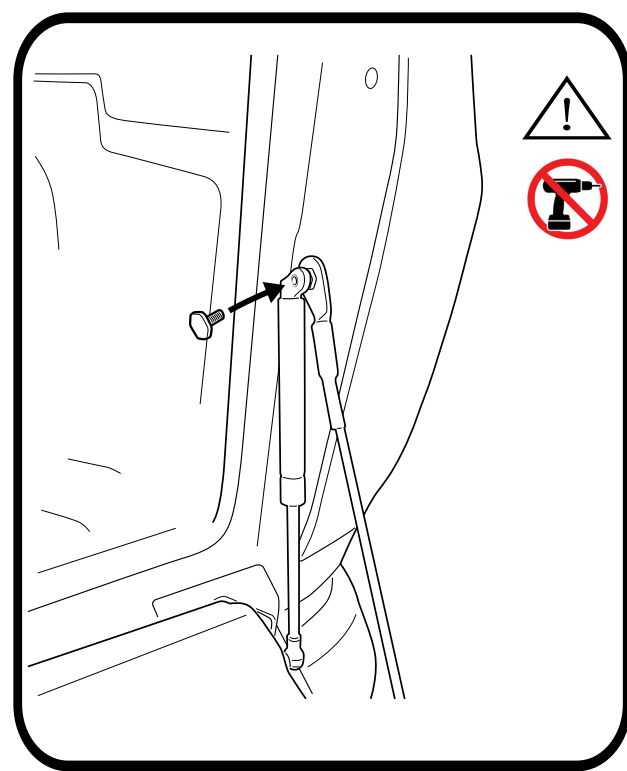
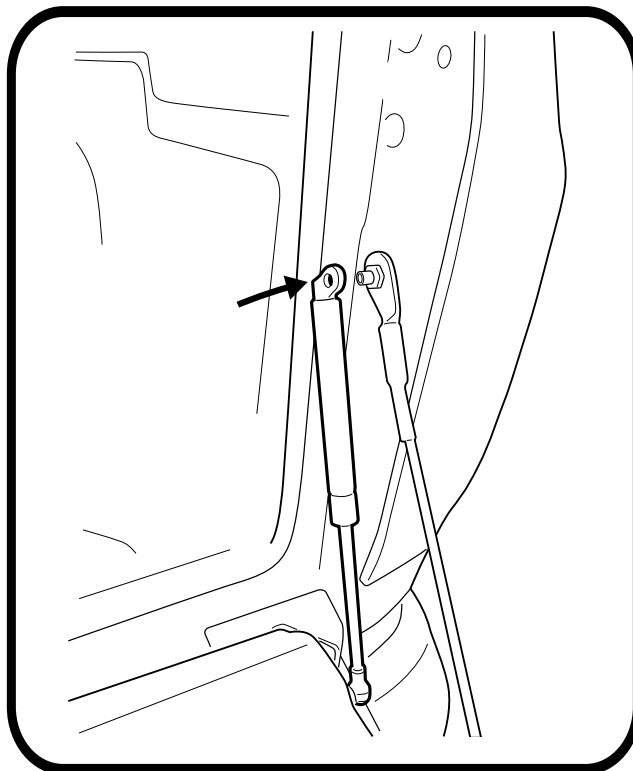
## — STEP 5 —

Place bracket TA-10RH over the tailgate hinge and fasten with retained factory bolt to location 1. Use part number 47 M8 bolt provided in the kit.



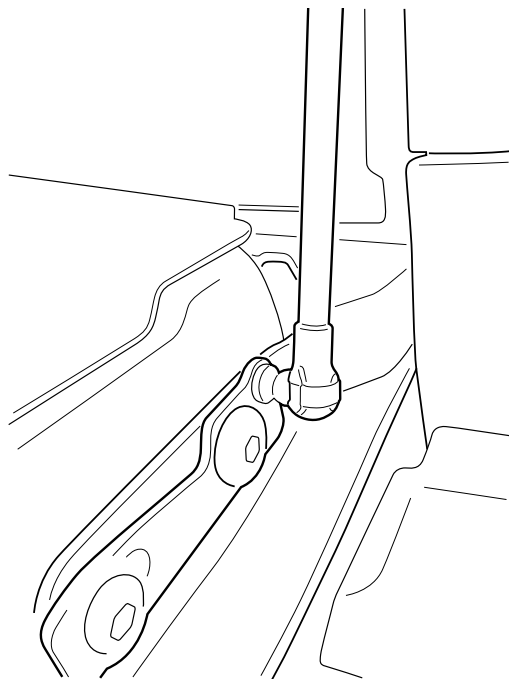
## — STEP 6 —

Fit dampening strut, part number KSD cylinder end to the Shoulder of (TA-15) followed by strut locking bolt (TA-16). **NOTE:** TA-16 Should be tighten to 2nm torque, Do not use power tools for this step.



## — STEP 7 —

Now fit the shaft end of the strut to the stud ball on the tailgate.



— FITTING COMPLETE —