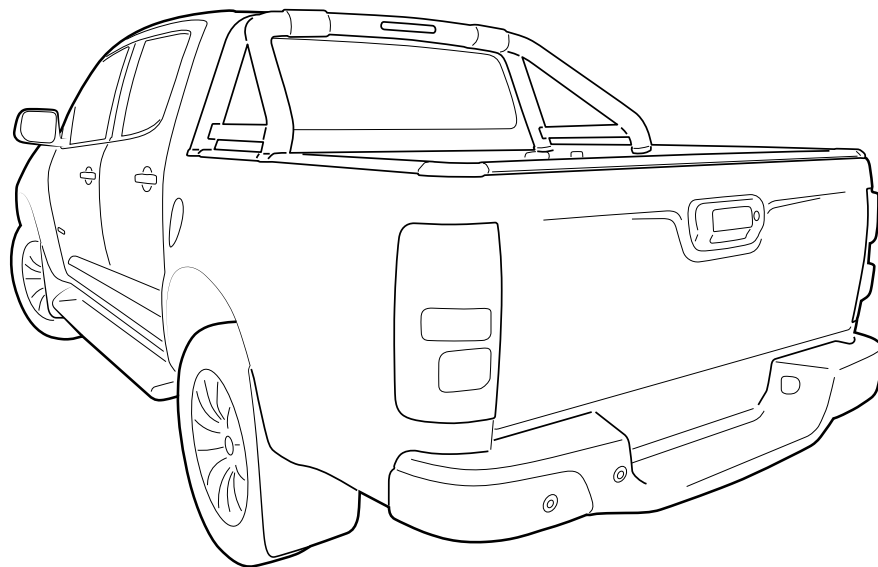


**Tail.**  
**Assist**



**HOLDEN RG COLORADO 2016+ ( MY16 )**



**HSP TAIL ASSIST**

---

**FITTING INSTRUCTIONS**

## —GENERAL NOTES

---

- Read through the fitting instructions prior to installation of accessory.
- Ensure all recyclable components and packaging are discarded and recycled following local recycling regulations.
- Safely store and protect any removed vehicle components.

## —SAFETY NOTES

---

- Check that all work practices comply with safety standards.
- Please wear appropriate clothing and use safety equipment.

## —FITTING TIME

---



30 mins

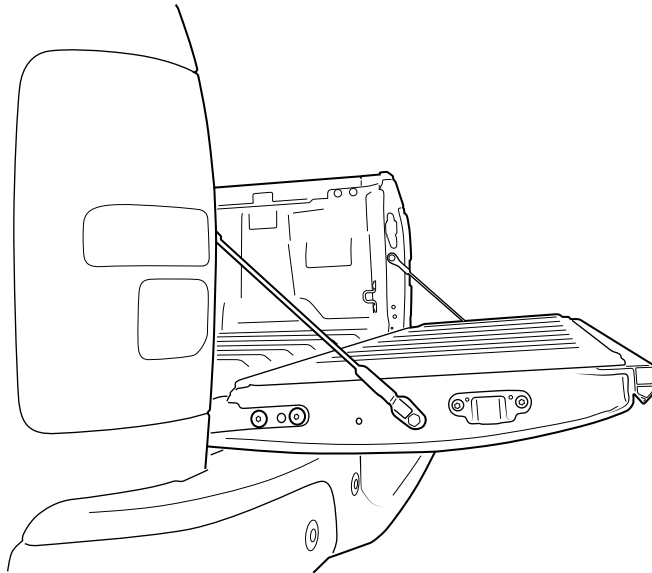
## —PARTS SUPPLIED

---

<b>PART NUMBER</b>	<b>PART DESCRIPTION</b>	<b>QUANTITY</b>
KSD-SPEC-1	Dampener strut	1
TRS-SPEC-1	Traction Strut	1
TA-03	M8 shoulder bolt tub mount	2
TA-17	m8 ball bolt	2
	<b><u>NUTS AND BOLTS</u></b>	
47	M8 X 20mm button socket ss	2
20	M8 body washer	2
	<b><u>OTHER</u></b>	
TR320	protective clear tape 50 x 110mm	2

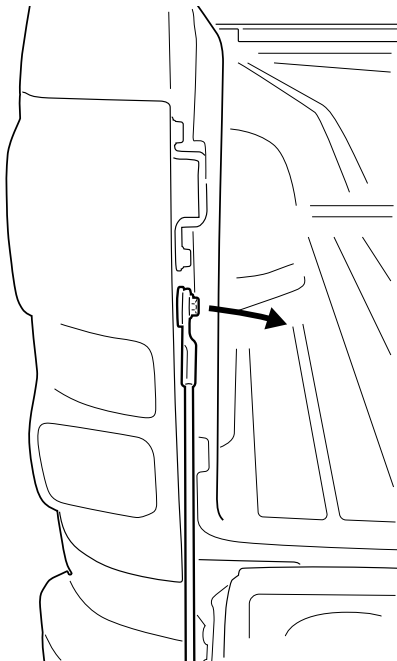
— STEP 1 —

Open tailgate.



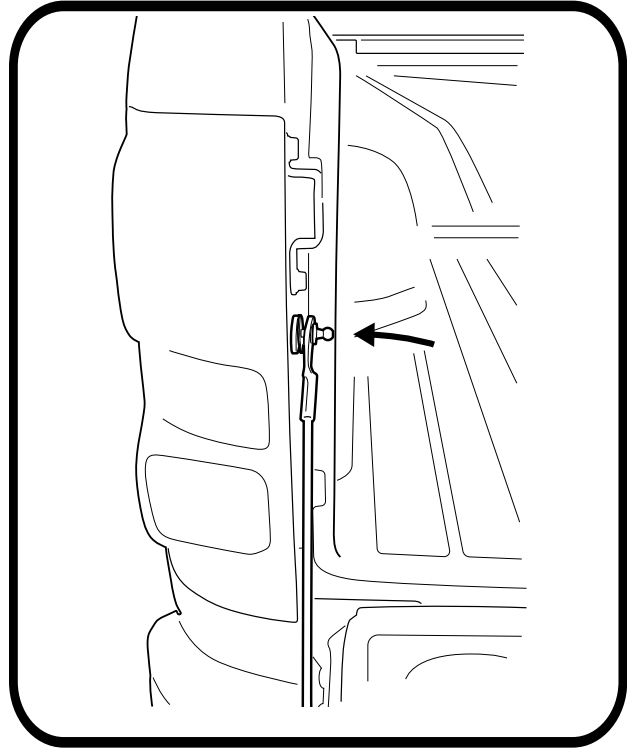
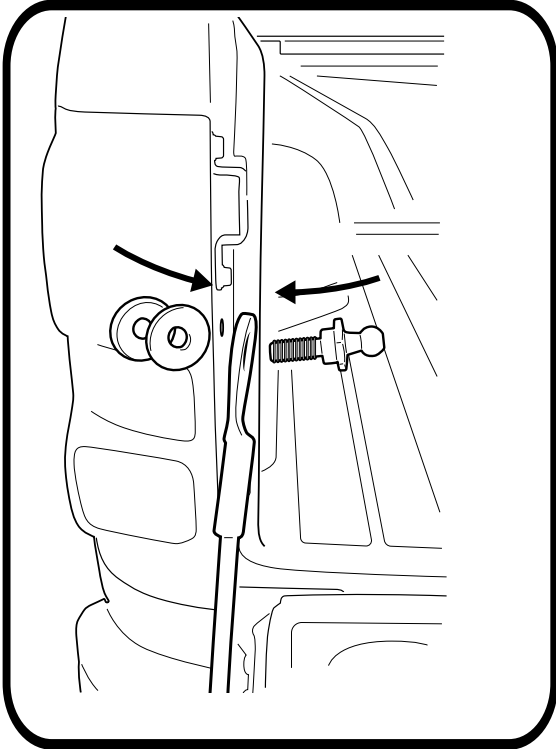
— STEP 2 —

Remove indicated bolt holding strap on the passenger side, and discard.



### — STEP 3 —

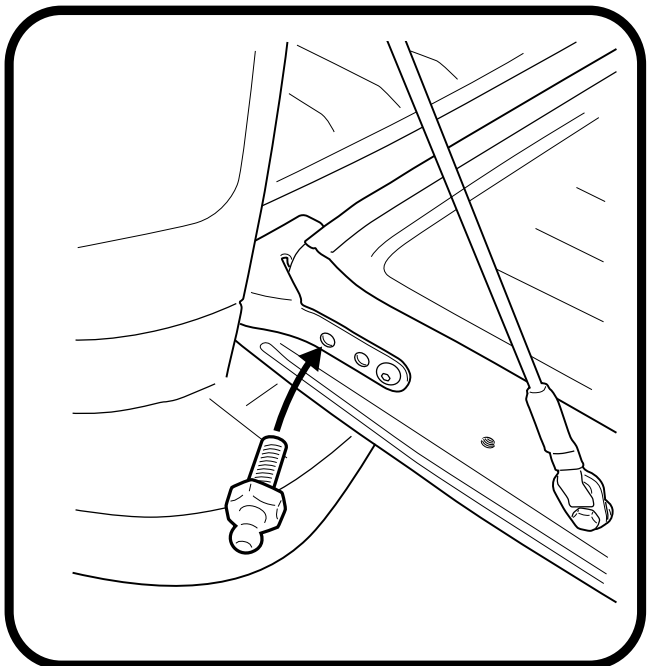
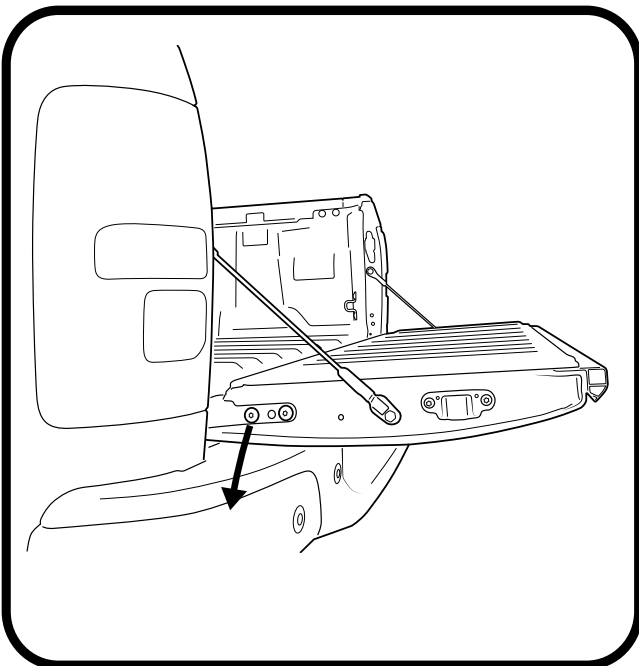
Feed part number( TA-03) M8 shoulder bolt trough strap, followed by washer provided in the kit & through the retained washer of the vehicle. Now tighten.



### — STEP 4 —

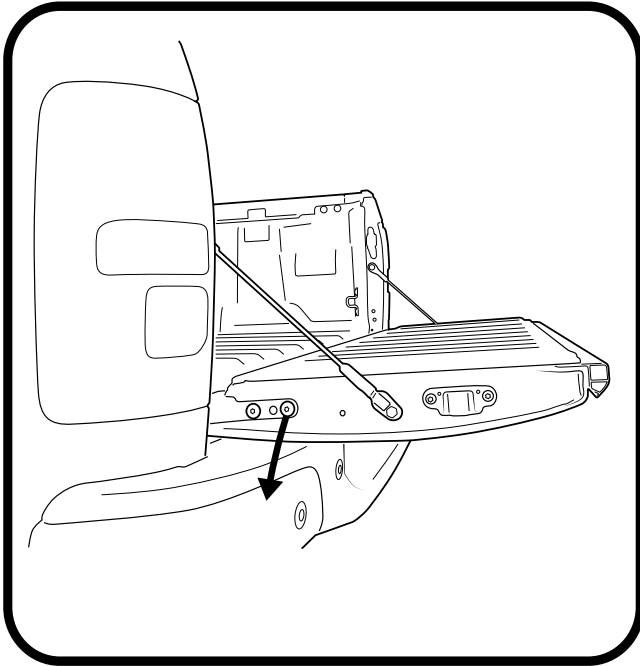
Remove indicated bolt, and discard.

Replace and fasten with part no.TA-17 M8 ball bolt.

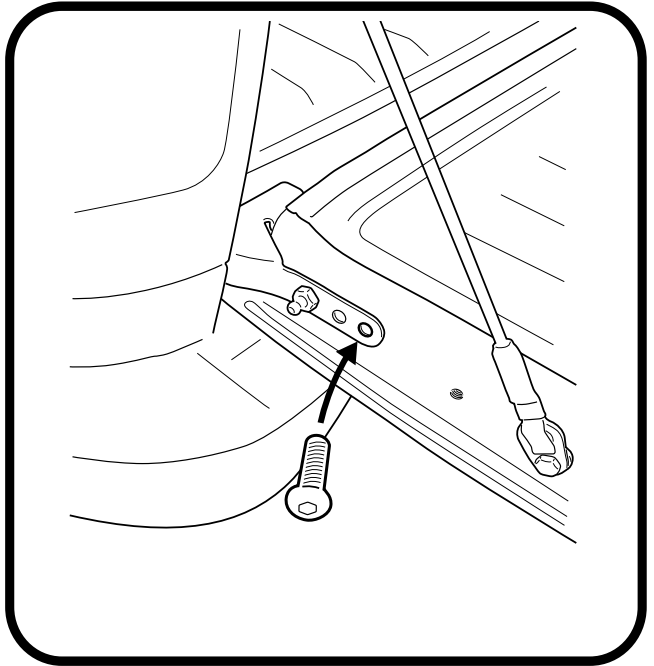


— STEP 5 —

Remove indicated bolt, and discard.

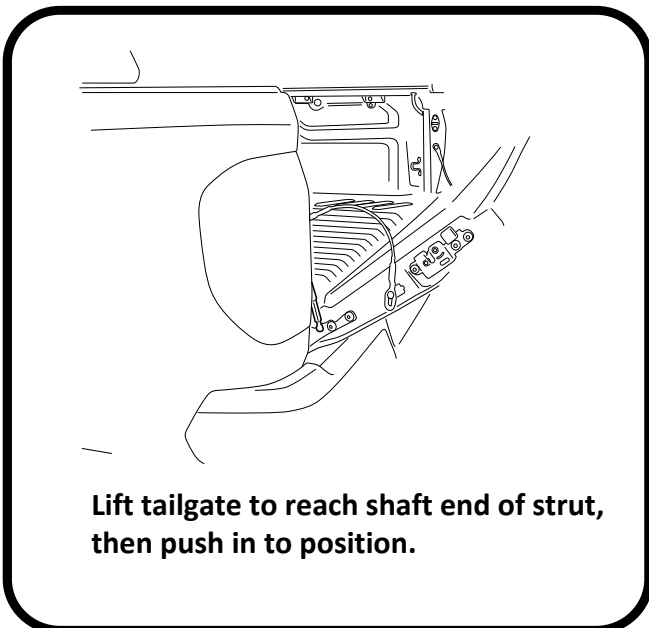


Replace and fasten with part no. 47 M8 bolt.

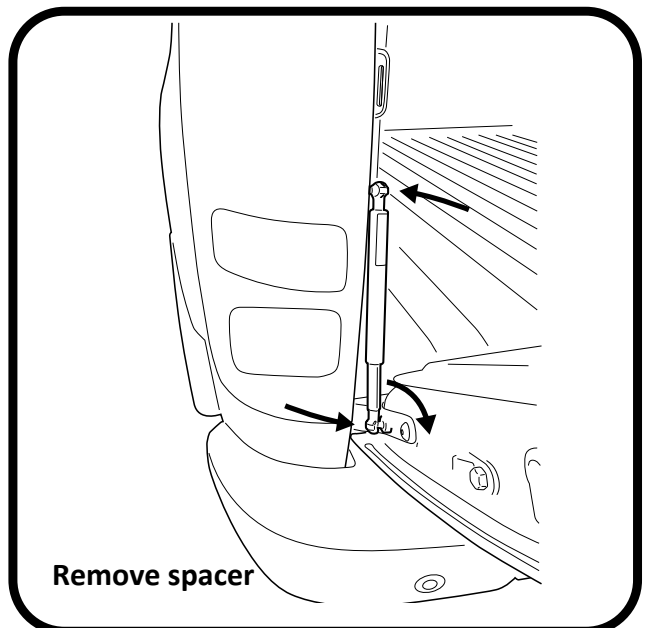


— STEP 6 —

Now repeat all the above steps on the drivers side.  
NOTE: The passenger side Strut ( part number TRS) has a spacer  
which will need removing once installed.



**Lift tailgate to reach shaft end of strut,  
then push in to position.**



**Remove spacer**

— FITTING COMPLETE —————