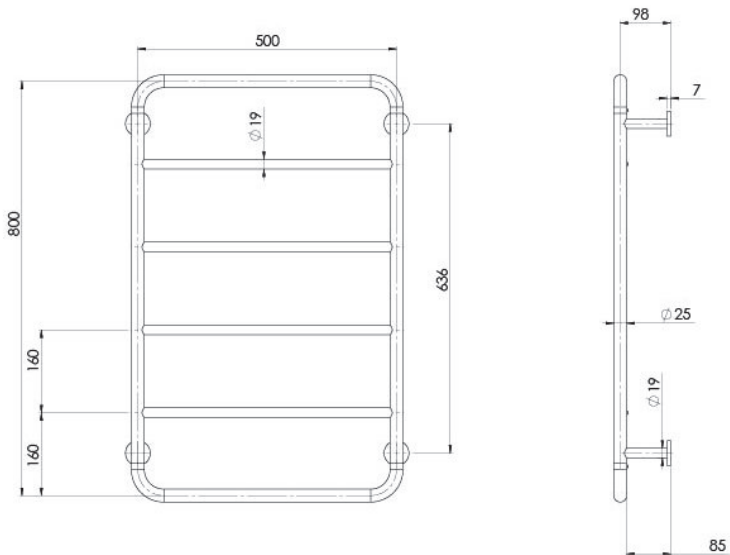


## VIVID SLIMLINE

VIVID SLIMLINE TOWEL LADDER 800 X 500MM



## SPECIFICATIONS



### AVAILABLE IN



111-8700-00  
Chrome



111-8700-40  
Brushed Nickel



111-8700-31  
Brushed Carbon



111-8700-10  
Matte Black

### INFORMATION

### MAINTENANCE AND CARE:

- All surfaces should be cleaned with mild liquid detergent or soap and water.
- Do not use cream cleaners or citrus based cleaning products, as they are abrasive.
- Use of unsuitable cleaning agents may damage the surface.
- Any damage caused in this way will not be covered by warranty.

Please visit <https://www.phoenixtapware.com.au/warranty> to view the full warranty