



SW6

CORDLESS CHAIN SAW KIT



NOTE: Battery and charger may not be included with your purchase. Please refer to your product's online listing to know what is included.

User Manual

[Revision 2.0]

THE BATTERY MAY HAVE SOME CHARGE ON ARRIVAL, IT IS IMPORTANT HOWEVER THAT THE BATTERY IS CHARGED PRIOR TO USE.

READ THIS MANUAL CAREFULLY BEFORE USE – FAILURE TO DO SO MAY RESULT IN INJURY, PROPERTY DAMAGE AND MAY VOID WARRANTY. • KEEP THIS MANUAL FOR FUTURE REFERENCE. • Products covered by this manual may vary in appearance, assembly, inclusions, specifications, description, and packaging.

Safety

Safety messages are designed to alert you to possible dangers or hazards that could cause death, injury or equipment or property damage if not understood or followed. Safety messages have the following symbols:



You **WILL** be **KILLED** or **SERIOUSLY INJURED** if you do not follow instructions.



You **CAN** be **KILLED** or **SERIOUSLY INJURED** if you do not follow instructions.



You **CAN** be **INJURED** if you do not follow instructions or equipment damage may occur.

It is vital that you read and understand this user manual before using the product, including safety warnings, and any assembly and operating instructions. Keep the manual for future reference.

Safety precautions and recommendations detailed here must be fully understood and followed to reduce the risk of injury, fire, explosion, electrical hazard, and/or property damage.

Safety information presented here is generic in nature – some advice may not be applicable to every product. The term "equipment" refers to the product, be it electrical mains powered, battery powered or combustion engine powered.

- **Before Use** - If you are not familiar with the safe operation/handling of the equipment or are in any way unsure of any aspect of suitability or correct use for your application, you should complete training conducted by a person or organization qualified in safe use and operation of this equipment, including fuel/electrical handling and safety.
- Do NOT operate the equipment in flammable or explosive environments, such as in the presence of flammable liquids, gases, or dust. The equipment may create sparks or heat that may ignite flammable substances.
- Keep clear of moving parts.
- Equipment may be a potential source of electric shock or injury if misused.
- Do NOT operate the equipment if it is damaged, malfunctioning or is in an excessively worn state.
- Do NOT allow others to use the equipment unless they have read this manual and are adequately trained.
- Keep packaging away from children - risk of suffocation! Operators must use the equipment correctly. When using the equipment, consider conditions and pay due care to persons and property.

General Work Area Safety

- Work areas should be clean and well lit.
- Do not operate the equipment if bystanders, animals etc are within operating range of the equipment or the general work area.
- If devices are provided for connecting dust extraction / collection facilities, ensure these are connected and used properly. Dust collection can reduce dust-related hazards.

General Personal Safety

- Wear appropriate protective equipment when operating, servicing, or when in the operating area of the equipment to help protect from eye and ear injury, poisoning, burns, cutting and crush injuries. Protective equipment such as safety goggles, respirators, non-slip safety footwear, hard hat, hearing protection etc should be used for appropriate equipment / conditions. Other people nearby should also wear appropriate personal protective equipment. Do not wear loose clothing or jewellery, which can be caught in moving parts. Keep hair and clothing away from the equipment.
- Stay alert and use common sense when operating the equipment. Do not over-reach. Always maintain secure footing and balance.
- Do not use the equipment if tired or under the influence of drugs, alcohol, or medication.
- This equipment is not intended for use by persons with reduced physical, sensory, or mental capabilities.

General Fuel Safety

- Petrol/fuel/gasoline is extremely flammable – keep clear of naked flames or other ignition sources.
- Do not spill fuel. If you spill fuel, wipe it off the equipment immediately – if fuel gets on your clothing, change clothing.
- Do NOT smoke near fuel or when refuelling.
- Always shut off the engine before refuelling.
- Do NOT refuel a hot engine.
- Open the fuel cap carefully to allow any pressure build-up in the tank to release slowly.
- Always refuel in well-ventilated areas.
- Always check for fuel leakage. If fuel leakage is found, do not start, or run the engine until all leaks are fixed.

General Carbon-Monoxide Safety

- Using a combustion engine indoors **CAN KILL IN MINUTES**. Engine exhaust contains carbon-monoxide – a poison you cannot smell or see.
- Use combustion engines **OUTSIDE** only, and far away from windows, doors, and vents.

General Equipment Use and Care

- Keep packaging away from children and pets, potential risk of suffocation or choking.
- The equipment is designed for domestic use only.
- Handle the equipment safely and carefully.
- Before use, inspect the equipment for misalignment or binding of moving parts, loose components, damage, or any other condition that may affect its operation. If damaged, have the equipment repaired by an authorised service centre or technician before use.
- Prevent unintentional starting of the equipment - ensure equipment and power switches are in the OFF position before connecting or moving equipment. Do not carry equipment with hands or fingers touching any controls. Remove any tools or other items that are not a part of the equipment from it before starting or switching on.
- Do not force the equipment. Use the correct equipment for your application. Equipment will perform better and be safer when used within its design and usage parameters.
- Use the equipment and accessories etc. in accordance with these instructions, considering working conditions and the work to be performed. Using the equipment for operations different from those intended could result in hazardous situations.
- Always keep equipment components (engines, hoses, handles, controls, frames, housings, guards etc) and accessories (cutting tools, nozzles, bits etc) properly maintained. Keep the equipment clean and, where applicable, properly lubricated.
- Store the equipment out of reach of children or untrained persons. To avoid burns or fire hazards, let the equipment cool completely before transporting or storing. Never place or store the equipment near flammable materials, combustible gases, or liquids etc.
- The equipment is not weather-proof, and should not be stored in direct sunlight, at high ambient temperatures or locations that are damp or humid.
- Do not clean equipment with solvents, flammable liquids, or harsh abrasives.
- For specific equipment safety use and care, see Equipment Safety.

General Electrical Safety

- Inspect electrical equipment, extension cords, power bars, and electrical fittings for damage or wear before each use. Repair or replace damaged equipment immediately.
- Ensure all power sources conform to equipment voltage requirements and are disconnected before connecting or disconnecting equipment.
- When wiring electrically powered equipment, follow all electrical and safety codes.
- Always use a Residual Current Device (RCD) (GFCI) / Earth Leakage Circuit Breaker / Safety Switch when operating this item (electrical items only).
- High voltage / high current power lines may be present. Use extreme caution to avoid contact or interference with power lines. Electrical shock can be fatal.

General Electrical Safety

- Electrically grounded equipment must have an approved cord and plug and be connected to a grounded electrical outlet.
- Do NOT bypass the ON/OFF switch and operate equipment by connecting and disconnecting the electrical cord.
- Do NOT use equipment that has exposed wiring, damaged switches, covers or guards.
- Do NOT use electrical equipment in wet conditions or in damp locations.
- Do NOT use electrical cords to lift, move or carry equipment.
- Do NOT coil or knot electrical cords, and ensure electrical cords are not trip hazards.

General Service Information

- The equipment must be serviced or repaired at authorised service centres by qualified personnel only.
- Replacement parts must be original equipment manufacturer (OEM) to ensure equipment safety is maintained.
- Do NOT attempt any maintenance or repair work not described in this manual.
- After use, the equipment and components may still be hot – allow the equipment to cool and disconnect spark plugs and/or electrical power sources and/or batteries from it before adjusting, changing accessories, or performing repair or maintenance.
- Do NOT adjust while the equipment is running.
- Perform service-related activities in suitable conditions, such as a workshop.
- Replace worn, damaged or missing warning/safety labels immediately.

Child Choking Hazard!



• **WARNING: CHOKING HAZARD - CHILDREN UNDER 8 YRS. CAN CHOKE OR SUFFOCATE ON SMALL PARTS. ADULT SUPERVISION REQUIRED.**

- Carefully inspect anything a baby or child could gain access to, including this product & packaging.
- Dangers include anything of a size that could become stuck or lodged in a baby or child's airway.
- Dangers include things like raw, hard fruit and vegetable pieces, large pieces of meat, bones or sausage skins, popcorn, nuts, hard lollies and corn chips, small magnets and batteries, coins, beads, marbles and small uninflated balloons, broken toys and smaller toys, buttons, keys, and coins. But there are also many more.
- Pay particular attention to accessories, nuts, bolts, screws, washers, caps, covers, loose parts, parts that could be removed or break off, pieces of packaging, staples, tape etc.
- In the case of any doubt, secure the item of concern in an appropriate manner, or completely remove the possibility of access by a baby or child.

Sharp Components Hazard!

- **BE AWARE THAT THE EQUIPMENT MAY INCLUDE HAZARDOUS COMPONENTS, SUCH AS BLADES, HOT SURFACES AND MOVING PARTS.**
- **MOVING BLADES CAN CAUSE SERIOUS INJURY AND EVEN DEATH IF USED IMPROPERLY OR WITHOUT SUFFICIENT PPE.**
- **DO NOT USE THIS EQUIPMENT ON UNEVEN SURFACES AND ALWAYS MAINTAIN GOOD BALANCE WHEN USING THIS EQUIPMENT. FAILURE TO DO SO MAY CAUSE SERIOUS INJURY.**
- **MAINTAIN A SECURE GRIP OF THE TRIGGER ASSEMBLY AT ALL TIMES.**

Important Safety Reminders

- Use the product to cut branches and twigs. Do not use the product for other tasks.
- If the saw chain is running dry, the guide bar and saw chain will become unusable within a short time.
- Never work without chain lubrication! After approximately 20 cuts, the chain lubrication must be renewed.

General Power Tool Safety Warnings

- **WARNING: READ ALL SAFETY WARNINGS AND INSTRUCTIONS. FAILURE TO FOLLOW THESE WARNINGS AND INSTRUCTIONS MAY RESULT IN ELECTRIC SHOCK, FIRE, AND/OR SERIOUS INJURY.**
- Note: Save all warnings and instructions for future reference. The term "power tool" in the warnings refers to your mains-operated (corded) power tool or battery-operated (cordless) power tool.

Work Area Safety

- Keep the work area clean and well lit. Cluttered or dark areas invite accidents.
- Do not operate power tools in explosive atmospheres, such as in the presence of flammable liquids, gases, or dust. Power tools create sparks that may ignite the dust or fumes.
- Keep children and bystanders away while operating a power tool. Distractions can cause you to lose control.

Electrical Safety

- Power tool plugs must match the outlet. Never modify the plug in any way. Do not use any adapter plugs with earthed (grounded) power tools. Unmodified plugs and matching outlets will reduce the risk of electric shock.
- Avoid body contact with earthed or grounded surfaces, such as pipes, radiators, ranges, and refrigerators. There is an increased risk of electric shock if your body is earthed or grounded.
- Do not expose power tools to rain or wet conditions. Water entering a power tool will increase the risk of electric shock.



SW6 Cordless Chainsaw Kit

- Do not abuse the cord. Never use the cord for carrying, pulling, or unplugging the power tool. Keep the cord away from heat, oil, sharp edges, or moving parts. Damaged or entangled cords increase the risk of electric shock.
- When operating a power tool outdoors, use an extension cord suitable for outdoor use. Use of a cord suitable for outdoor use reduces the risk of electric shock.
- If operating a power tool in a damp location is unavoidable, use a ground fault circuit interrupter (GFCI) protected supply. Use of a GFCI reduces the risk of electric shock.

Personal Safety

- **DANGER! DO NOT OPERATE NEAR ELECTRICAL POWER LINES. THIS UNIT HAS NOT BEEN DESIGNED TO PROVIDE PROTECTION FROM ELECTRIC SHOCK IN THE EVENT OF CONTACT WITH OVERHEAD ELECTRIC LINES. CONSULT LOCAL REGULATIONS FOR SAFE DISTANCES FROM OVERHEAD ELECTRIC POWER LINES AND ENSURE THAT THE OPERATING POSITION IS SAFE AND SECURE BEFORE OPERATING THE SAW CHAIN POLE PRUNER.**
- Stay alert, watch what you are doing, and use common sense when operating a power tool. Do not use a power tool while you are tired or under the influence of drugs, alcohol, or medication. A moment of inattention while operating power tools may result in serious personal injury.
- Use personal protective equipment. Always wear eye protection. Protective equipment such as a dust mask, non-skid safety shoes, a hard hat, or hearing protection, used as appropriate for the conditions, will reduce personal injuries.
- Prevent unintentional starting. Ensure the switch is in the OFF position before connecting to a power source and/or battery pack, picking up, or carrying the tool. Carrying power tools with your finger on the switch or energising power tools with the switch on invites accidents.
- Remove any adjusting key or wrench before turning the power tool on. A wrench or key left attached to a rotating part of the power tool may result in personal injury.
- Do not overreach. Keep proper footing and balance at all times. This enables better control of the power tool in unexpected situations.
- Dress properly. Do not wear loose clothing or jewellery. Keep your hair, clothing, and gloves away from moving parts. Loose clothes, jewellery, or long hair can be caught in moving parts.
- If devices are provided for the connection of dust extraction and collection facilities, ensure these are connected and properly used. Use of dust collection can reduce dust-related hazards.
- Do not let familiarity gained from frequent use of tools allow you to become complacent and ignore tool safety principles. A careless action can cause severe injury within a fraction of a second.
- The vibration emission during actual use of the power tool can differ from the declared total value depending on the way in which the tool is used. Operators should identify safety measures to protect themselves based on an estimation of exposure in the actual conditions of use (taking into account all parts of the operating cycle, such as the times when the tool is switched off and when it is running idle, in addition to when the trigger is engaged).

Power Tool Use and Care

- Do not force the power tool. Use the correct power tool for your application. The correct power tool will do the job better and more safely at the rate for which it was designed.
- Do not use the power tool if the switch does not turn it on and off. Any power tool that cannot be controlled with the switch is dangerous and must be repaired.
- Disconnect the plug from the power source and/or the battery pack from the power tool before making any adjustments, changing accessories, or storing power tools. Such preventive safety measures reduce the risk of starting the power tool accidentally.
- Store idle power tools out of the reach of children and do not allow persons unfamiliar with the power tool or these instructions to operate the power tool. Power tools are dangerous in the hands of untrained users.
- Maintain power tools. Check for misalignment or binding of moving parts, breakage of parts, and any other condition that may affect the power tool's operation. If damaged, have the power tool repaired before use. Many accidents are caused by poorly maintained power tools.
- Keep cutting tools sharp and clean. Properly maintained cutting tools with sharp cutting edges are less likely to bind and are easier to control.
- Use the power tool, accessories, and tool bits, etc., in accordance with these instructions, taking into account the working conditions and the work to be performed. Use of the power tool for operations different from those intended could result in a hazardous situation.
- Keep handles and grasping surfaces dry, clean, and free from oil and grease. Slippery handles and grasping surfaces do not allow for safe handling and control of the tool in unexpected situations.

Battery Tool Use and Care

- Recharge only with the charger specified by the manufacturer. A charger that is suitable for one type of battery pack may create a risk of fire when used with another battery pack.
- Use power tools only with specifically designated battery packs. Use of any other battery packs may create a risk of injury and fire.
- When the battery pack is not in use, keep it away from other metal objects, like paper clips, coins, keys, nails, screws, or other small metal objects that can make a connection from one terminal to another. Shorting the battery terminals together may cause burns or a fire.
- Under abusive conditions, liquid may be ejected from the battery; avoid contact. If contact accidentally occurs, flush with water. If liquid contacts eyes, additionally seek medical help. Liquid ejected from the battery may cause irritation or burns.
- Do not use a battery pack or tool that is damaged or modified. Damaged or modified batteries may exhibit unpredictable behaviour resulting in fire, explosion, or risk of injury.
- Do not expose a battery pack or tool to fire or excessive temperature. Exposure to fire or temperatures above 130°C (265°F) may cause an explosion.
- Follow all charging instructions and do not charge the battery pack or tool outside the temperature range specified in the instructions. Charging improperly or at temperatures outside the specified range may damage the battery and increase the risk of fire.

Service

- Have your power tool serviced by a qualified repair person using only identical replacement parts. This will ensure that the safety of the power tool is maintained.

SW6 Cordless Chainsaw Kit

- Never service damaged battery packs. Service of battery packs should only be performed by the manufacturer or authorised service providers.

Pole Pruner Saw Safety Warnings - Personal Safety (if pole is equipped with saw)

- Keep all parts of the body away from the saw chain when the pole pruner saw is operating. Before you start the pole pruner saw, make sure the saw chain is not contacting anything. A moment of inattention while operating pole pruner saws may cause entanglement of your clothing or body with the saw chain.
- Always hold the pole pruner saw with your right hand on the control handle and your left hand on the auxiliary handle. Holding the chain saw with a reversed hand configuration increases the risk of personal injury and should never be done.
- Hold the pole pruner saw by insulated gripping surfaces only, because the saw chain may contact hidden wiring. Saw chains contacting a "live" wire may make exposed metal parts of the pole pruner saw "live" and could give the operator an electric shock.
- Wear eye protection. Further protective equipment for hearing, head, hands, legs, and feet is recommended. Adequate protective equipment will reduce personal injury from flying debris or accidental contact with the saw chain.
- Do not operate a pole pruner saw in a tree, on a ladder, from a rooftop, or any unstable support. Operation of a pruner saw in this manner could result in serious personal injury. Always keep proper footing and operate the pole pruner saw only when standing on a fixed, secure, and level surface. Slippery or unstable surfaces may cause a loss of balance or control of the pruner saw.
- When cutting a branch that is under tension, be alert for spring back. When the tension in the wood fibres is released, the spring-loaded branch may strike the operator and/or throw the pole pruner saw out of control.
- Use extreme caution when cutting brush and saplings. The slender material may catch the saw chain and be whipped toward you or pull you off balance.
- Carry the pole pruner saw with the pole pruner saw switched off and away from your body. When transporting or storing the pole pruner saw, always fit the guide bar cover. Proper handling of the pole pruner saw will reduce the likelihood of accidental contact with the moving saw chain.
- Follow instructions for lubricating, chain tensioning, and changing the bar and chain. Improperly tensioned or lubricated chain may either break or increase the chance for kickback.
- Cut wood only. Do not use the pole pruner saw for purposes not intended. For example, do not use the pole pruner saw for cutting metal, plastic, masonry, or non-wood building materials. Use of the pole pruner saw for operations different than intended could result in a hazardous situation.
- This pole pruner saw is not intended for tree felling. Use of the pole pruner saw for operations different than intended could result in serious injury to the operator or bystanders.
- Follow all instructions when clearing jammed material, storing, or servicing the pole pruner. Make sure the switch is off and the battery pack is removed. Unexpected actuation of the pole pruner while clearing jammed material or servicing may result in serious personal injury.
- Do not attempt to fell a tree until you have an understanding of the risks and how to avoid them. Serious injury could occur to the operator or bystanders while felling a tree.
- Keep handles dry, clean, and free from oil and grease. Greasy, oily handles are slippery, causing loss of control.
- We strongly recommend that first-time users practice sawing logs on a saw horse or cradle.

Additional General Safety Instructions

- Remove the battery to prevent the product from being started by accident.
- This product is a dangerous tool if you are not careful or if you use the product incorrectly. This product can cause serious injury or death to the operator or others.
- Do not use the product if it is changed from its initial specification. Do not change a part of the product without approval from the manufacturer. Only use parts that are approved by the manufacturer. Injury or death is a possible result of incorrect maintenance.
- Children should be supervised to ensure that they do not play with the product. Never allow children or other persons not trained in the use of the product and/or the battery to use or service it. Local laws may regulate the age of the user.
- Do a check of the product before use. Do not use a defective product. Follow the safety checks, maintenance, and service instructions described in this manual.
- Keep the product in a locked area to prevent access for children or persons that are not approved.
- Store the product out of reach of children.
- Under no circumstances may the design of the product be modified without the permission of the manufacturer. Always use original accessories. Non-authorised modifications and/or accessories can result in serious personal injury or the death of the operator and others.
- National or Local laws can regulate the use. Comply to given regulations.

Safety Instructions for Operation

- **WARNING: READ AND OBEY THE WARNING INSTRUCTIONS THAT FOLLOW BEFORE YOU USE THE PRODUCT.**
- Ensure that no people or animals come closer than 15 m (50 ft.) while you work. When several operators are working in the same area, the safety distance should be at least 15 m. Otherwise, there is a risk of serious personal injury. Stop the product immediately if anyone approaches. Never swing the product around without first checking behind you to make sure that no one is within the safety zone.
- Never use the product in bad weather, for instance, in dense fog, heavy rain, strong winds, intense cold, etc. Extremely hot weather may cause overheating of the product. Working in bad weather is tiring and often brings added risks, such as icy ground, unpredictable felling direction, etc.
- Do not allow children to use or be in the vicinity of the product. Since the product is easy to start, children may be able to start it if they are not kept under full surveillance. This can mean a risk of serious personal injury. Disconnect the battery when the product is not under close supervision.
- Ensure that people, animals, or other things cannot affect your control of the product or that they do not come in contact with the cutting attachment or loose objects that are thrown out by the cutting attachment.
- Listen out for warning signals or shouts when you wear hearing protection. Always remove your hearing protection as soon as the product stops.
- Overexposure to vibration can lead to circulatory damage or nerve damage in persons who have poor circulation. Speak to your physician if you experience symptoms of overexposure to vibration. Such symptoms include numbness, loss of feeling, tingling, pricking, pain, loss of strength, changes in skin colour or condition. These symptoms usually show in the fingers, hands, or wrists.

SW6 Cordless Chainsaw Kit

- Always stop the product, remove the battery, and make sure that the cutting equipment stops completely before you start to do any work on the product.
- Never use a cutting attachment without an approved guard. If an incorrect or faulty guard is fitted, this can cause serious personal injury.
- If you encounter a situation where you are uncertain how to proceed, you should ask an expert. Contact your dealer or your service workshop. Avoid all usage which you consider to be beyond your capability.
- Never use the product if you are fatigued, or while under the influence of alcohol, drugs, medication, or anything that could affect your vision, alertness, coordination, or judgment.
- The product can be thrown violently to the side when the tip of the guide bar comes in contact with a fixed object. This is called kickback. A kickback can be violent enough to cause the product/operator to be propelled in any direction, possibly leading to a loss of control. Avoid cutting with the guide bar tip.
- Do not use the product unless you are able to call for help in case of an accident.
- Keep a good balance and a firm foothold. Make sure that you can move and stand safely. Check the area around you for possible obstacles (roots, rocks, branches, ditches, etc.) in case you have to move suddenly. Take great care when you work on sloping ground.
- Take great care when cutting a tree that is in tension. A tree that is in tension may spring back to its normal position before or after being cut. If you position yourself incorrectly or make the cut in the wrong place, the tree may hit you or the product and cause you to lose control. Both situations can cause serious personal injury.
- Use the harness to support the weight of the product and make it easier to handle.
- Hold the product with your right or left hand. Keep hands and other body parts away from the saw chain.
- Before you remove unwanted materials from the product, stop the motor and make sure that the saw chain does not turn.
- Stop the product before you move to another area. Attach the transport guard before carrying or transporting the product any distance.
- Never put the product down when it is activated unless you have it in clear sight.
- If the product is operated at temperatures below -10°C, the product and the battery must be stored in a heated space for at least 24 hours before starting work.
- Never stand directly underneath a branch that is being cut. This could lead to serious or even fatal personal injury.
- Observe the applicable safety regulations for work in the vicinity of overhead power lines.
- This product is not electrically insulated. If the product touches or comes close to high-voltage power lines, it could lead to death or serious bodily injury. Electricity can jump from one point to another by arcing. The higher the voltage, the greater the distance electricity can jump. Electricity can also travel through branches and other objects, especially if they are wet. Always keep a distance of at least 10 m between the product and high voltage power lines and/or objects that are touching them. If you have to work within this safe distance, you should always contact the relevant power company to make sure the power is switched off before you start work.
- A dull saw chain may increase the risk of accidents.

Personal Protective Equipment

- **WARNING: READ THE WARNING INSTRUCTIONS THAT FOLLOW BEFORE YOU USE THE PRODUCT.**
- Always use approved personal protective equipment when you use the product. Personal protective equipment cannot fully prevent injury, but it decreases the degree of injury if an accident does occur. Let your dealer help you select the right equipment.
- Use a helmet if it is possible that objects can fall on you.
- Use approved hearing protection.
- Use approved eye protection. If you use a visor, you must also use approved protective goggles. Approved protective goggles must meet the ANSI Z87.1 standard in the USA or EN 166 in EU countries.
- Use gloves, when necessary, for example, when you attach, examine, or clean the cutting equipment.
- Use protective boots or shoes with non-slip soles.
- Use pants with saw protection.
- Use clothing made of a strong fabric. Always wear heavy, long pants and long sleeves. Do not wear loose clothing that can catch on twigs and branches. Do not wear jewellery, short pants, open shoes, or go barefoot. Secure your hair above your shoulders.
- Keep first aid equipment close at hand.

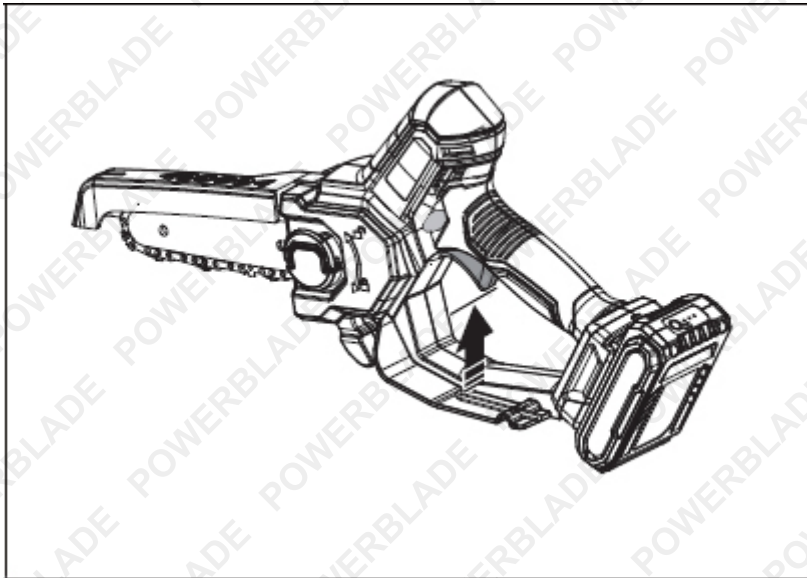
Safety Devices on the Product

- **WARNING: READ THE WARNING INSTRUCTIONS THAT FOLLOW BEFORE YOU USE THE PRODUCT.**
- This section covers the product's safety features, their purpose, and how checks and maintenance should be carried out to ensure that the product operates correctly.
- The lifespan of the product can be reduced, and the risk of accidents can increase if product maintenance is not carried out correctly and if service and/or repairs are not performed professionally. If you need further information, please contact your nearest servicing dealer.
- **WARNING: NEVER USE A PRODUCT WITH DEFECTIVE SAFETY COMPONENTS. THE PRODUCT'S SAFETY EQUIPMENT MUST BE INSPECTED AND MAINTAINED AS DESCRIBED IN THIS SECTION. IF YOUR PRODUCT FAILS ANY OF THESE CHECKS, CONTACT YOUR SERVICE AGENT TO GET IT REPAIRED.**
- **CAUTION: ALL SERVICING AND REPAIR WORK ON THE MACHINE REQUIRES SPECIAL TRAINING. THIS IS ESPECIALLY TRUE OF THE MACHINE'S SAFETY EQUIPMENT. IF YOUR MACHINE FAILS ANY OF THE CHECKS DESCRIBED BELOW, YOU MUST CONTACT YOUR SERVICE AGENT. WHEN YOU BUY ANY OF OUR PRODUCTS, WE GUARANTEE THE AVAILABILITY OF PROFESSIONAL REPAIRS AND SERVICE. IF THE RETAILER WHO SELLS YOUR MACHINE IS NOT A SERVICING DEALER, ASK THEM FOR THE ADDRESS OF YOUR NEAREST SERVICE AGENT.**

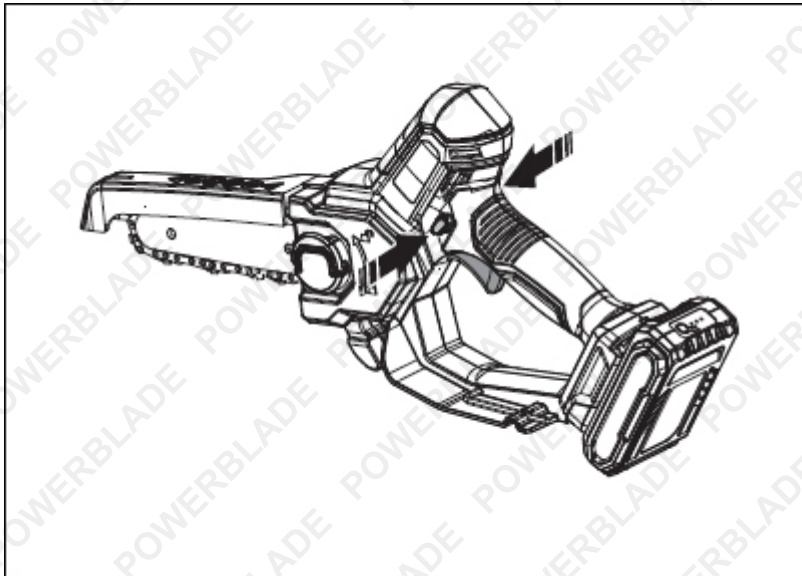
To Do a Check of the Power Trigger Lockout

The safety switch prevents accidental operation. When it is pressed in from the left side you will not be able to press the operation trigger.

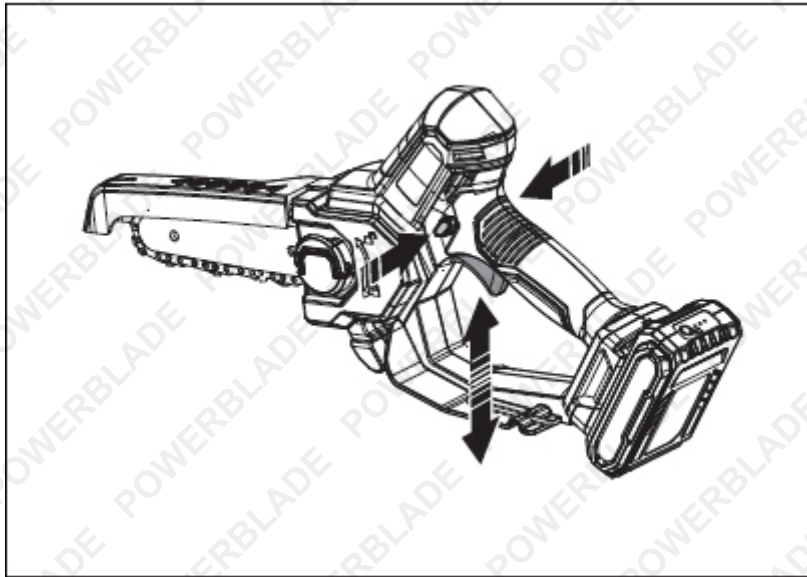
- Test the safety switch by pressing the trigger. If working correctly the trigger will be locked.



- Test the safety switch by pressing it in from either side



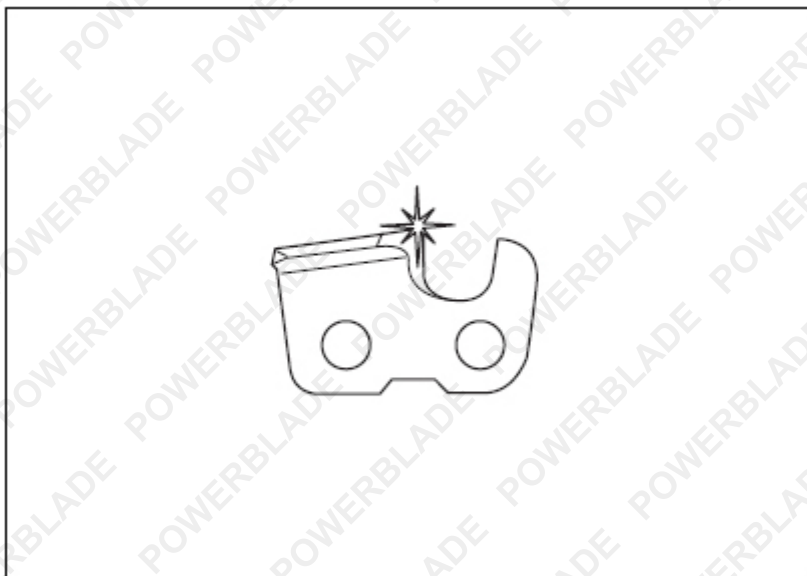
- Make sure that the safety switch and the activation trigger move freely and that the return spring operates correctly.



- Start the product by first pressing the safety switch inward from the left side, now you can press the activation trigger.
- Apply full speed.
- Release the power trigger and make sure that the chain stops spinning before dropping the chainsaw

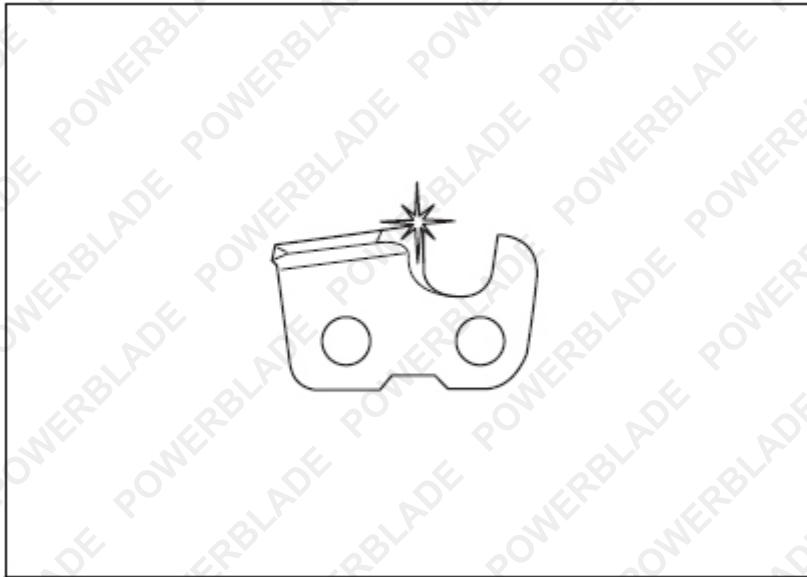
Safety Instructions for the Chainsaw Chain

- **WARNING: READ THE FOLLOWING WARNING INSTRUCTIONS CAREFULLY BEFORE USING THE PRODUCT.**
- Always wear protective gloves when handling or performing maintenance on the chain. Even a stationary saw chain can cause injuries.
- Use only approved guide bar and saw chain combinations, as well as appropriate filing equipment.
- Ensure the teeth are properly sharpened. Follow the instructions and use the recommended file gauge. A damaged or improperly sharpened saw chain increases the risk of accidents.

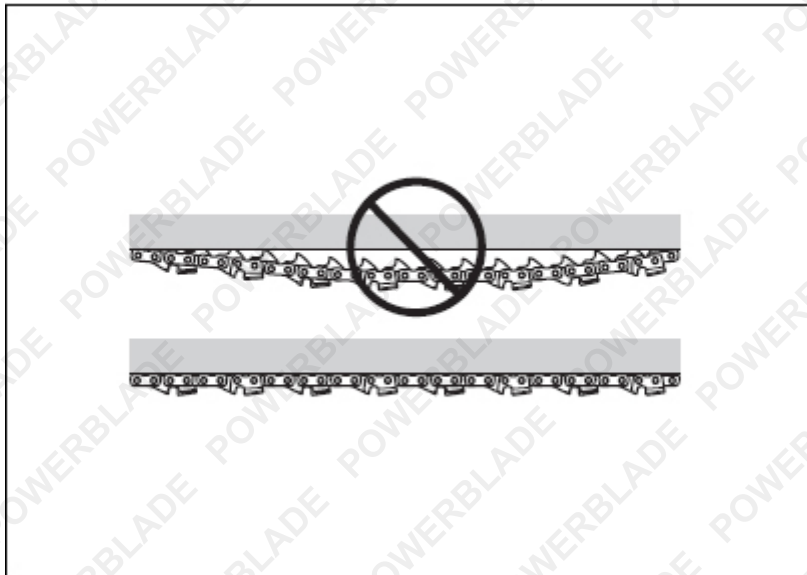


- Maintain the correct depth gauge setting. Follow the instructions and use the recommended depth gauge tools. An incorrect depth gauge setting heightens the risk of kickback.

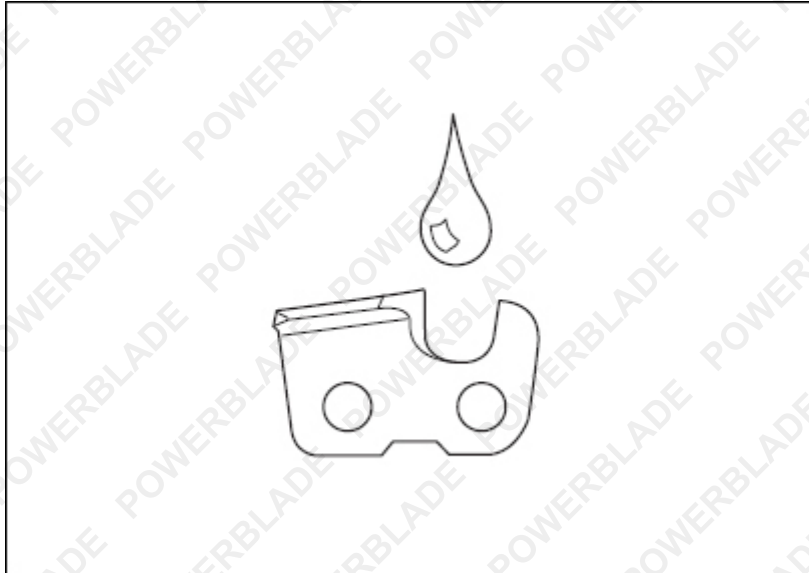
SW6 Cordless Chainsaw Kit



- Check that the chain is properly tensioned. If the chain is loose on the guide bar, it can derail. Incorrect chain tension increases wear on the guide bar, saw chain, and chain drive sprocket.



- Regularly service the chain and ensure it is adequately lubricated. Always lubricate the saw chain before each operation. A poorly lubricated saw chain increases wear on the guide bar, saw chain, and chain drive sprocket.



Important Chainsaw Chain Safety Instructions

- Inspect the Chain Regularly. Before each use, inspect the chain for damage, wear, or loose links. Replace or repair the chain if necessary to prevent accidents.
- Ensure Proper Tension. The chain should be properly tensioned. A loose chain may derail during operation, while an overly tight chain can cause undue wear and damage to the chainsaw.
- Sharpen the Chain Correctly. Maintain the sharpness of the chain for efficient and safe cutting. Use a file guide or consult the manufacturer's specifications for the correct filing angle.
- Use Approved Chains Only. Always use chains that meet the manufacturer's specifications for your chainsaw model. Using unapproved chains may compromise safety and performance.
- Avoid Contact with Hard Surfaces. Refrain from cutting materials that may contain metal, stone, or dirt, as these can dull or damage the chain.
- Wear Protective Gear. Always wear safety gear, including gloves, eye protection, ear protection, and steel-capped boots. These minimise the risk of injury from chain kickback or debris.
- Turn Off the Chainsaw During Maintenance. Always switch off the chainsaw and disconnect the power source (if applicable) before adjusting, cleaning, or replacing the chain.
- Check the Chain Lubrication System. Ensure the chain lubrication system is functioning correctly to reduce friction and prolong the chain's lifespan.
- Avoid Using a Damaged Chain. Do not use a chain that has cracks, broken links, or excessive wear. A damaged chain can snap during use, causing serious injury.
- Store the Chainsaw Safely. After use, store the chainsaw in a secure location with the chain cover in place to prevent accidental contact with the sharp teeth.

Battery Safety

- **WARNING: READ ALL THE SAFETY AND GENERAL INSTRUCTIONS. FAILURE TO OBSERVE THE SAFETY AND GENERAL INSTRUCTIONS MAY RESULT IN ELECTRIC SHOCK, FIRE, AND/OR SERIOUS INJURY. KEEP ALL THE SAFETY INFORMATION AND GENERAL INSTRUCTIONS FOR FUTURE REFERENCE.**
- Use the rechargeable battery only in products from the manufacturer.
- Observe the battery recommendations in the operating manual of your product. Only this way can the rechargeable battery and the product be operated without danger, and the rechargeable batteries protected from hazardous overloading. Only charge the batteries using chargers recommended by the manufacturer.
- The battery is supplied partially charged. To ensure full battery capacity, fully charge the battery in the charger before using your power tool for the first time.
- Keep battery packs out of the reach of children.
- Do not open the battery. There is a risk of short-circuiting.
- In case of damage and improper use of the battery, vapours may be emitted. The battery can catch fire or explode. Ensure the area is well ventilated and seek medical attention should you experience any adverse effects. The vapours may irritate the respiratory system.
- If used incorrectly or if the battery is damaged, flammable liquid may be ejected from the battery. Avoid contact with this liquid. If contact accidentally occurs, rinse off with water. If the liquid comes into contact with your eyes, seek additional medical attention. Liquid ejected from the battery may cause irritation or burns.
- If the battery is damaged, liquid can be ejected and cover nearby surfaces. Check affected parts. Clean these parts or replace them if necessary.
- Do not short-circuit the battery pack. When the battery pack is not in use, keep it away from other metal objects, like paper clips, coins, keys, nails, screws, or other small metal objects that can make a connection from one terminal to another. Shorting the battery terminals together may cause burns or a fire.
- The battery can be damaged by pointed objects such as nails or screwdrivers or by force applied externally. An internal short circuit may occur, causing the battery to burn, smoke, explode, or overheat.

SW6 Cordless Chainsaw Kit

- Never service damaged battery packs. Service of battery packs should only be performed by the manufacturer or authorised service providers.
- Protect the battery against heat, e.g., continuous intense sunlight, fire, dirt, water, and moisture. There is a risk of explosion and short-circuiting.
- Use the battery in the product only when the ambient temperature is between -10°C and 40°C.
- Only store the battery at an ambient temperature between 0°C and 40°C. Do not leave the battery in your car in the summer, for example. At temperatures below 0°C, some devices may experience a loss of power.
- Only charge the battery at an ambient temperature between 5°C and 35°C.

Battery Charger Safety

- **WARNING: READ ALL THE SAFETY AND GENERAL INSTRUCTIONS. FAILURE TO OBSERVE THE SAFETY AND GENERAL INSTRUCTIONS MAY RESULT IN ELECTRIC SHOCK, FIRE, AND/OR SERIOUS INJURY. STORE THESE INSTRUCTIONS IN A SAFE PLACE. ONLY USE THE CHARGER IF YOU CAN FULLY EVALUATE ALL FUNCTIONS AND CARRY THEM OUT WITHOUT RESTRICTIONS, OR IF YOU HAVE RECEIVED CORRESPONDING INSTRUCTIONS.**
- Supervise children during use, cleaning, and maintenance. This will ensure that children do not play with the charger.
- The battery voltage must match the battery charging voltage of the charger. Do not charge any non-rechargeable batteries. Otherwise, there is a risk of fire and explosion.
- Keep the charger clean. Dirt poses a risk of electric shock.
- Do not expose the charger to rain or wet conditions. Water entering a power tool will increase the risk of electric shock.
- Always check the charger, cable, and plug before use. Stop using the charger if you discover any damage. Do not open the charger yourself; have it repaired only by a qualified specialist using only original replacement parts. Damaged chargers, cables, and plugs increase the risk of electric shock.
- Do not operate the charger on an easily ignited surface (e.g., paper, textiles, etc.) or in a flammable environment. There is a risk of fire due to the charger heating up during operation.
- Recharge only with the charger specified by the manufacturer. A charger that is suitable for one type of battery pack may create a risk of fire when used with another battery pack.
- In case of damage and improper use of the battery, vapours may also be emitted. Ensure the area is well ventilated and seek medical attention should you experience any adverse effects. The vapours may irritate the respiratory system.
- Under abusive conditions, liquid may be ejected from the battery. Avoid contact with this liquid. If contact accidentally occurs, rinse off with water. If the liquid comes into contact with your eyes, seek additional medical attention. Liquid ejected from the battery may cause irritation or burns.
- Do not cover the ventilation slots of the charger. Otherwise, the charger may overheat and no longer function properly.
- **WARNING: CARDIAC ARREST! THIS PRODUCT GENERATES AN ELECTROMAGNETIC FIELD WHILE IT OPERATES. THIS FIELD MAY, UNDER SOME CONDITIONS, INTERFERE WITH ACTIVE OR PASSIVE MEDICAL IMPLANTS. TO DECREASE THE RISK OF CONDITIONS THAT CAN POSSIBLY INJURE OR KILL, WE RECOMMEND THAT PERSONS WITH MEDICAL IMPLANTS SPEAK WITH THEIR PHYSICIAN AND THE MEDICAL IMPLANT MANUFACTURER BEFORE OPERATING THE PRODUCT.**
- **WARNING: RISK OF SUFFOCATION! SMALL PARTS CAN BE EASILY SWALLOWED. THERE IS ALSO A RISK THAT THE POLYBAG CAN SUFFOCATE TODDLERS. KEEP TODDLERS AWAY WHEN YOU ASSEMBLE THE PRODUCT.**

Safety Instructions for Maintenance

- **WARNING: READ THE WARNING INSTRUCTIONS THAT FOLLOW BEFORE YOU PERFORM MAINTENANCE ON THE PRODUCT.**
- Remove the battery before you do maintenance, other checks, or assemble the product.
- The operator must only perform the maintenance and servicing shown in this operator's manual. For more extensive maintenance and servicing, contact your servicing dealer.
- Do not clean the battery or the battery charger with water. Strong detergents can cause damage to the plastic.
- Failure to perform maintenance decreases the life cycle of the product and increases the risk of accidents.
- Special training is necessary for all servicing and repair work, especially for the safety devices on the product. If not all checks in this operator's manual are approved after you have done maintenance, contact your servicing dealer. We guarantee that professional repairs and servicing are available for your product.
- Only use original spare parts.

Additional Safety Instructions for Your Battery Charger

WARNING: READ ALL SAFETY WARNINGS AND INSTRUCTIONS. FAILURE TO FOLLOW THE WARNINGS AND INSTRUCTIONS MAY RESULT IN ELECTRIC SHOCK, FIRE, AND/OR SERIOUS INJURY. SAVE ALL WARNINGS AND INSTRUCTIONS FOR FUTURE REFERENCE.

This appliance can be used by children aged 8 years and above, and by persons with reduced physical, sensory, or mental capabilities, or lack of experience and knowledge, if they have been given supervision or instruction concerning the use of the appliance in a safe way and understand the hazards involved. Children shall not play with the appliance. Cleaning and user maintenance shall not be carried out by children without supervision.

If the supply cord is damaged, it must be replaced by the manufacturer, its service agent, or similarly qualified persons in order to avoid a hazard.

- Before charging, read the instructions. After charging, disconnect the battery charger from the supply mains. Then remove the chassis connection and then the battery connection.
- Do not charge a leaking battery.
- Do not use chargers for purposes other than those for which they are designed.
- Before charging, ensure your charger matches the local AC supply.
- For indoor use only, do not expose to rain.
- The charging device must be protected from moisture.
- Do not use the charging device outdoors.

SW6 Cordless Chainsaw Kit




















- Do not short out the contacts of the battery or charger.
- Respect the polarity "+/-" when charging.
- Do not open the unit and keep it out of the reach of children.
- Do not charge batteries from other manufacturers or incompatible models.
- Ensure that the connection between the battery charger and battery is correctly positioned and not obstructed by foreign objects.
- Keep the battery charger's slots free of foreign objects and protect them from dirt and humidity. Store in a dry and frost-free place.
- When charging batteries, ensure that the battery charger is in a well-ventilated area and away from flammable materials. Batteries can get hot during charging. Do not overcharge any batteries. Ensure that batteries and chargers are not left unsupervised during charging.
- Do not recharge non-rechargeable batteries, as they can overheat and break.
- Longer life and better performance can be obtained if the battery pack is charged when the air temperature is between 18°C and 24°C. Do not charge the battery pack in air temperatures below 5°C or above 35°C. This is important as it can prevent serious damage to the battery pack.
- Charge only battery packs of the authorised same model.

Disposal of the Battery, Battery Charger, and Product

- The product is not domestic waste. Recycle it at a recycling station for electrical and electronic equipment. This helps to prevent damage to the environment and to people. Speak to local authorities, domestic waste services, or your dealer for more information.

Safety Symbols

The product may have safety warning labels attached to it, explained below. Understand the symbols on your product and their meanings. If any stickers become unreadable, unattached etc., replace them.

| | | | |
|--|--|--|--|
|  <p>Flammable Material Hazard Flammable liquids, gases, or substances etc may present. Avoid ignition sources and open flames. Danger of fire.</p> |  <p>Read User Manual Read and fully understand product safety warnings, operation, procedures etc before using the product.</p> |  <p>Use Hand Protection Wear appropriate hand protection and take due care as the product or use of the product may present hand hazards.</p> |  <p>Carbon-Monoxide Hazard Do not use the product in confined areas or without adequate ventilation. Carbon-monoxide poisoning can be fatal.</p> |
|  <p>Electrocution / Electrical Shock Hazard High voltage or high current electricity may be present or required by the product. Take due care when handling electrical products, cables, plugs and leads. Electrical shock can be fatal.</p> |  <p>Toxic Fumes / Dust Hazard Using the product or by-products from use may produce fumes, smoke or particles that could be harmful if inhaled. Wear appropriate breathing protection and have adequate ventilation.</p> |  <p>Explosive Material Hazard Combustible liquids, gases, or substances etc may be present. Avoid ignition sources and open flames. Danger of explosion.</p> |  <p>Cutting / Amputation Hazard The product may have blades, edges or mechanical devices that can cause severe cut injury to fingers, limbs etc. Take due care when handling and using the product.</p> |
|  <p>Crush Hazard The product may have blades, edges or mechanical devices that can cause severe crush injury to fingers, limbs etc. Take due care when handling and using the product.</p> |  <p>Single Operator Only The product must be operated by a single person only. More than one person operating the product may introduce additional hazards.</p> |  <p>Use Face Protection Wear appropriate full-face protection and take due care as the product or use of the product may present face and eye hazards.</p> |  <p>Use Foot Protection Wear appropriate foot protection and take due care as the product or use of the product may present foot hazards.</p> |
|  <p>Use Eye / Ear / Head Protection Wear appropriate eye and / or ear and / or head protection and take due care as the product or use of the product may present eye, hearing, and head hazards.</p> |  <p>Running Hazard Do not run on or near the product as doing so may present a fall hazard.</p> |  <p>Diving Hazard Do not dive into the product as doing so may present a neck / head injury hazard.</p> |  <p>Adult Supervision Required Always supervise children and other users of a product to prevent drowning or injury.</p> |
|  <p>Skin Penetration / Puncture Hazard The product may produce pressure, emit liquids or objects that can cause severe injury to fingers, limbs, blood etc. Take due care when handling and using the product.</p> |  <p>Hot Surface Hazard Be aware that the product may produce high temperatures and hot surfaces that can cause burn injuries.</p> |  <p>Flying Debris Hazard Be aware that the product or use of the product may present hazards produced by flying debris. Wear appropriate clothing and protective devices.</p> |  <p>Moving Parts Hazard Be aware that the product contains or uses mechanical devices that move or rotate. Always wait for moving parts to stop fully before handling the product, adjusting, maintenance etc.</p> |

| | | | |
|---|--|--|--|
|  <p>Carbon-Monoxide Hazard Do not use the product in confined areas or without adequate ventilation. Carbon-monoxide poisoning can be fatal.</p> |  <p>Pull Hazard Be aware that the product contains or uses mechanical devices that can pull in objects and can cause severe injury to fingers, limbs etc. Take due care when handling and using the product.</p> |  <p>Slope / Fall Injury Hazard Be aware that using the product on sloping surfaces or in slippery conditions may present additional dangers from falls and contact with blades, moving parts, hot surfaces etc.</p> |  <p>"Slam Dunk" Warning Do NOT attempt "slam dunk" manoeuvres as this may result in severe injury due to falling, product breakage or collapse etc.</p> |
|  <p>Electrocution / Electrical Shock Hazard - Outdoor High voltage or high current electricity may be present or required by the product. Do NOT use in rain, damp, or wet conditions. Electrical shock can be fatal.</p> |  <p>Electrocution / Electrical Shock Hazard - Disconnect High voltage or high current electricity may be present or required by the product. Always disconnect the product from the electrical supply before handling the product, adjusting, maintenance etc.</p> |  <p>Power Line Electrocution Hazard High voltage / high current power lines may be present. Use extreme caution to avoid contact or interference with power lines. Electrical shock can be fatal.</p> |  <p>"Kick-Back" Hazard High level of "kick-back" hazard that can cause the machine to suddenly rotate towards operator. Kick-back injury can be fatal.</p> |
|  <p>Winch Operator Position Hazard Do NOT stand between winch and load. Do NOT use winch to move people.</p> |  <p>Winch Lift Hazard Do NOT LIFT load vertically. Use machine to PULL only.</p> |  <p>Cable Hazard Ensure that load bearing cable is not kinked or knotted.</p> |  <p>Winch Cable Hazard Ensure that there is a minimum number of cable coils on winching mechanism.</p> |
|  <p>Winch Hook Hazard Carry hook to load – do NOT throw or run.</p> |  <p>Flash / Blinding Hazard Wear appropriate eye protection for welding. Direct exposure to weld arcs may cause permanent eye injury.</p> |  <p>Laser Hazard Laser may be in use – do NOT look directly at laser or allow others to.</p> |  <p>Choking Hazard Children under 8 yrs. Can choke or suffocate on small parts. Adult supervision required.</p> |



Table of Contents

Safety **2**

 Safety Symbols 13

Parts Identification **16**

Operation **18**

 To Do a Function Check Before You Use the Product 18

 To Connect the Battery to the Product 18

 To Start the Product 19

 To Cut Branches 19

 To Stop the Product 22

 Charging the Battery 22

Lithium Battery Care and Maintenance **25**

 Top 3 Battery Care Requirements 25

Maintenance **27**

 General 27

 Maintenance Schedule 27

 To Examine the Cutting Equipment 28

 To Replace the Guide Bar and the Saw Chain 29

 To Sharpen the Saw Chain 30

 To Adjust the Tension of the Saw Chain 34

 To Lubricate Cutting Equipment 35

 To Clean the Product, the Battery, and the Battery Charger 37

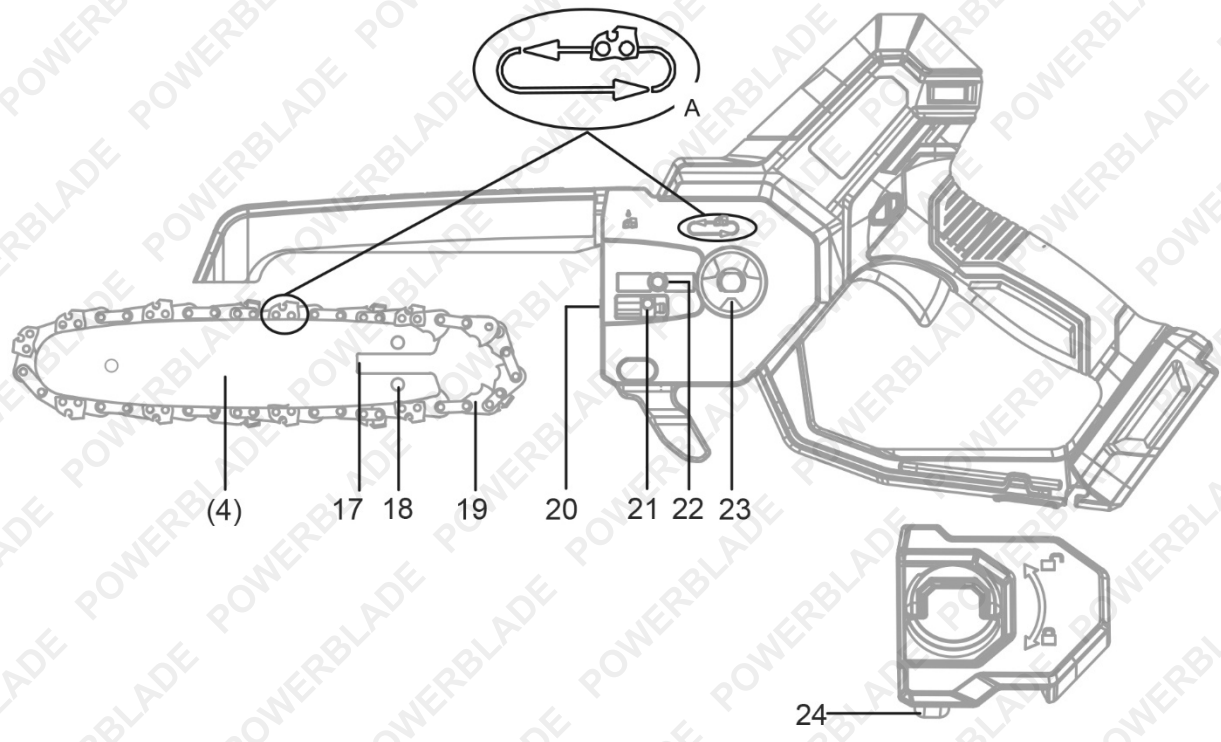
 To Examine the Battery and the Battery Charger 38

Troubleshooting **39**

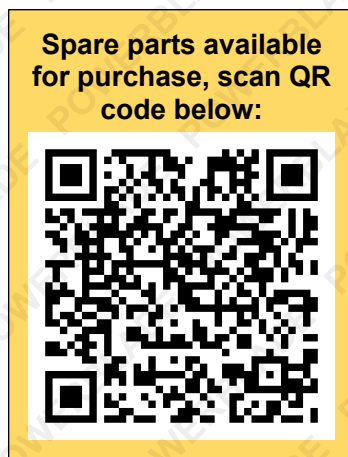
Transportation and Storage **40**

Specifications **41**

Parts Identification



| No. | Name | No. | Name |
|-----|---|-----|--|
| 1 | Transport guard | 13 | Capacity indicator button * |
| 2 | Saw chain guard | 14 | Hex key (to set the chain tension) / storage |
| 3 | Guide | 15 | Power trigger lockout, pruner |
| 4 | Guide bar | 16 | Power trigger, pruner |
| 5 | Areas in which the sawing chain adhesive oil is applied | 17 | Guide rail slot |
| 6 | Locking knob for protective cover | 18 | Bore |
| 7 | Chain wheel protective cover | 19 | Sawing chain |
| 8 | Gripping surface (for left hand) | 20 | Clamping screw (chain tension) |
| 9 | Handle / gripping surface (for right hand) | 21 | Chain tensioning pin |
| 10 | Battery pack release button | 22 | Stud bolt |
| 11 | Battery pack * | 23 | Chain wheel |
| 12 | Capacity and signal indicator * | 24 | Chain catch |



Operation

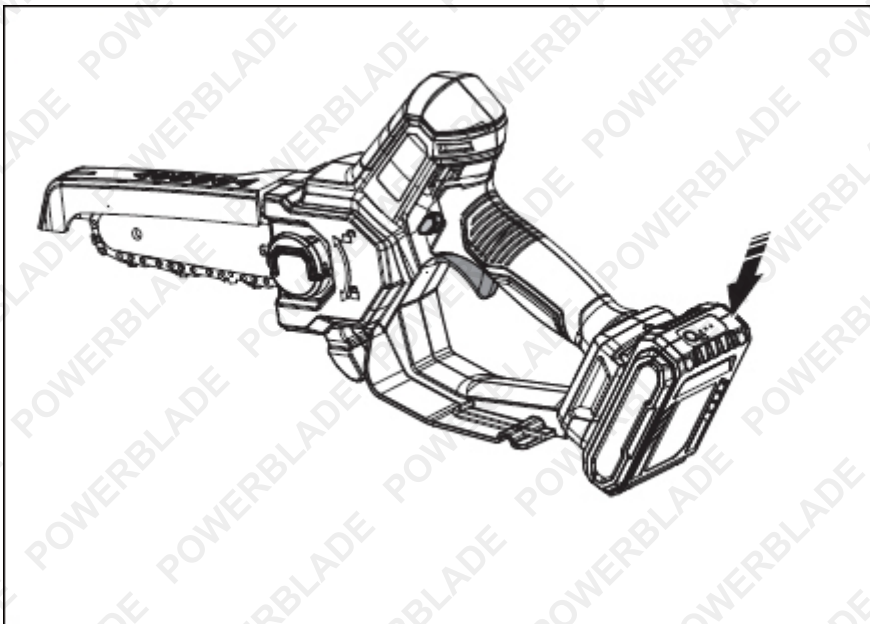
To Do a Function Check Before You Use the Product

1. Examine the air intake for dirt and damage. Remove dirt and unwanted material from the product with a brush.
2. Tighten all nuts and screws.
3. Make sure that the pruner is attached correctly.
4. Examine the pruner for damages, such as cracks. Replace the pruner if it is damaged.
5. Make sure that the covers are attached correctly and not damaged.
6. Ensure that the product operates correctly.

To Connect the Battery to the Product

WARNING: Only use authorised lithium-ion batteries.

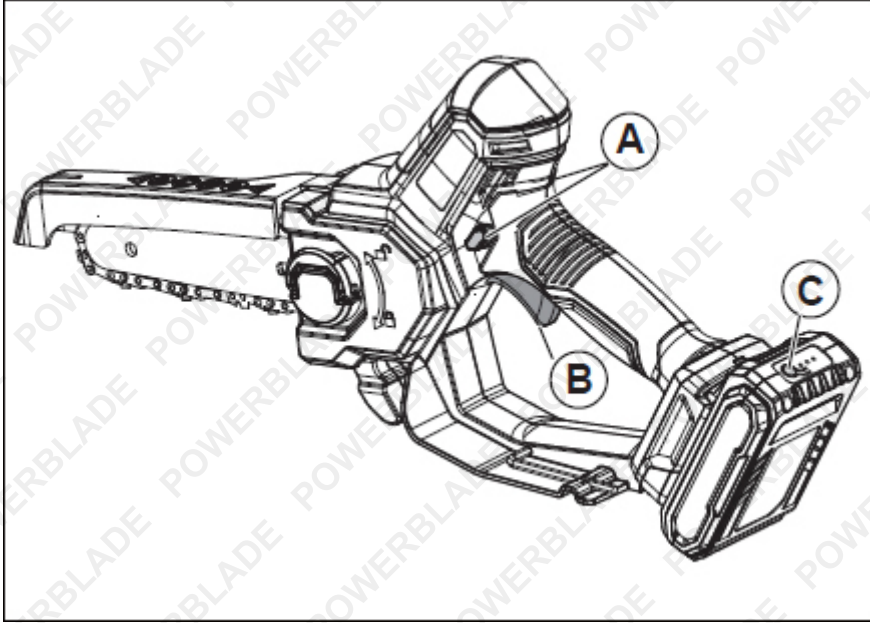
1. Make sure that the battery is fully charged.
2. Insert the battery into the battery holder of the product.



3. Push the battery fully into the battery holder. The battery locks into position when you hear a click. The battery must move into the holder easily; if not, it is not installed correctly.
4. Make sure that the latch locks in position correctly.

To Start the Product

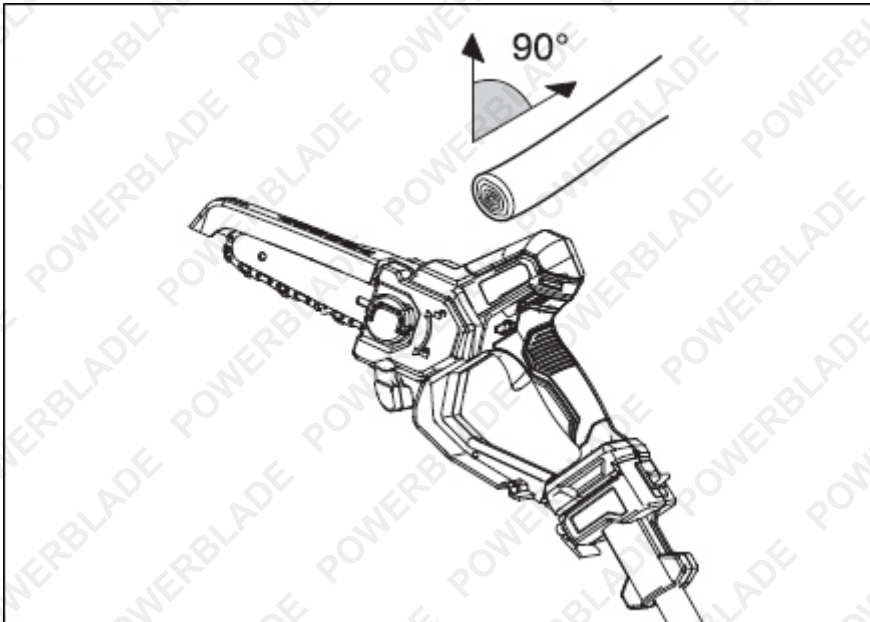
Push the power trigger lockout (A) from the left or the right side and hold the power trigger (B).



To Cut Branches

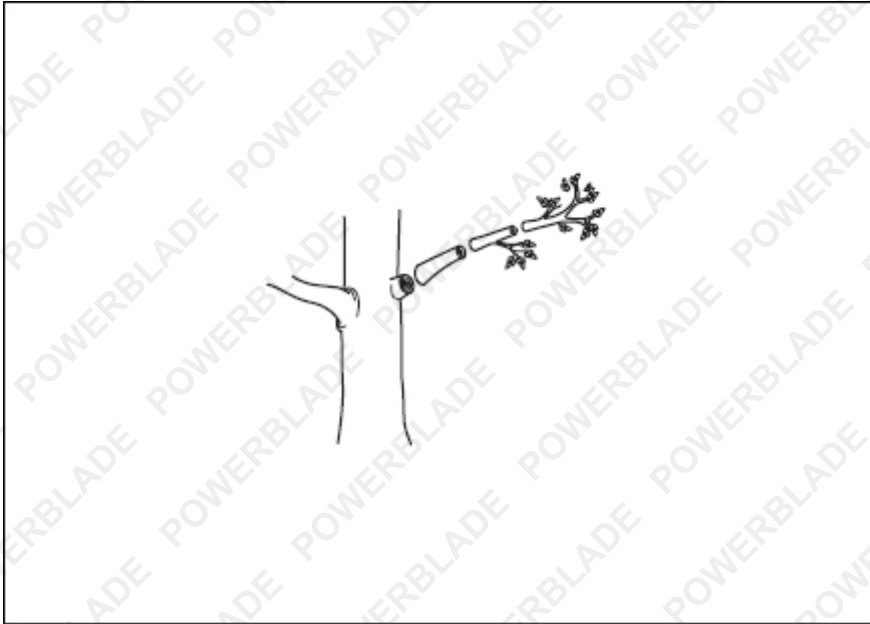
WARNING: Observe great care when working close to overhead power lines. Falling branches can result in short circuiting.

- Whenever possible, position yourself so that you can make the cut at right angles to the branch.

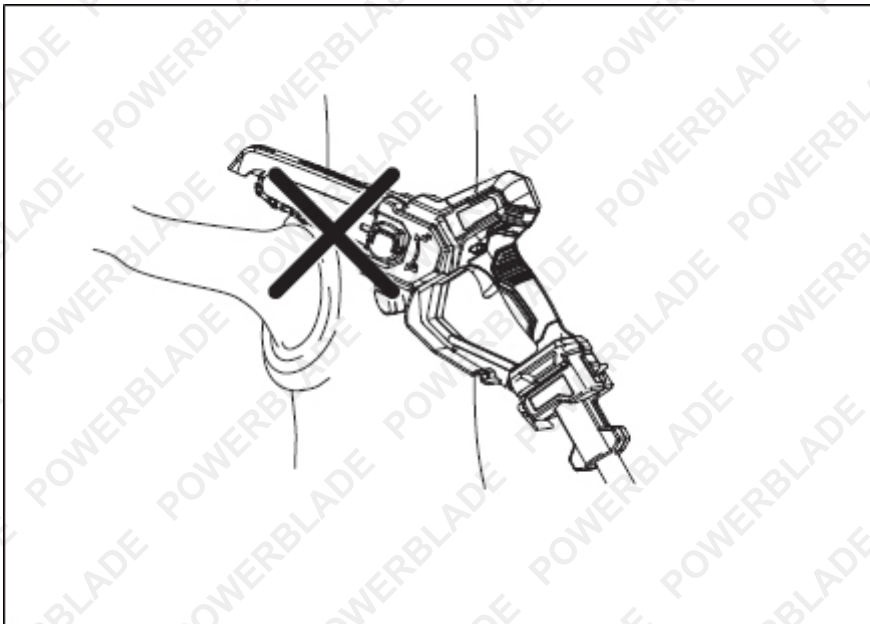


SW6 Cordless Chainsaw Kit

- Cut large branches in sections so that you have better control over where they fall. Be aware that falling branches can bounce in the direction of the user after hitting the ground.

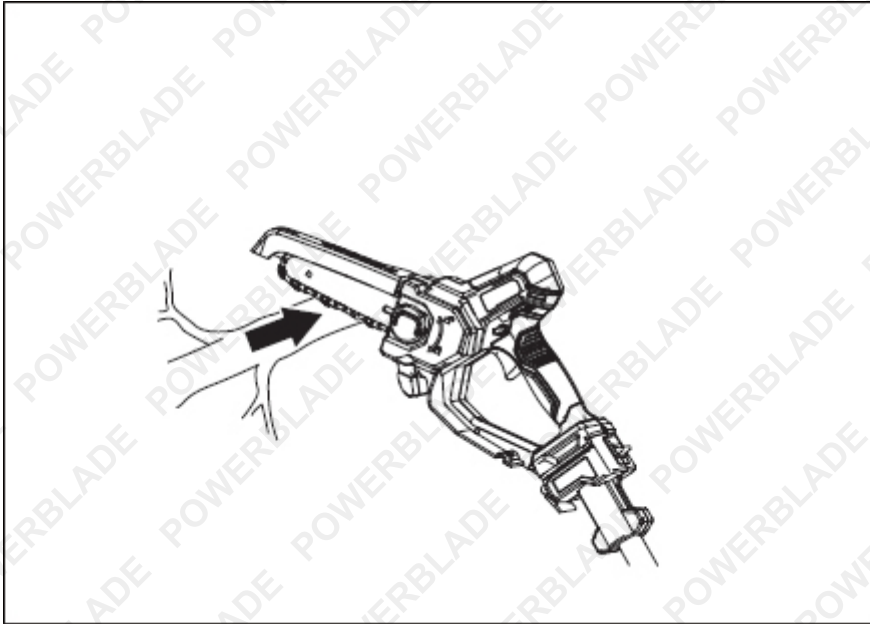


- Never cut through the swelling at the root of the branch, as this will slow down healing and increase the risk of fungal attack.

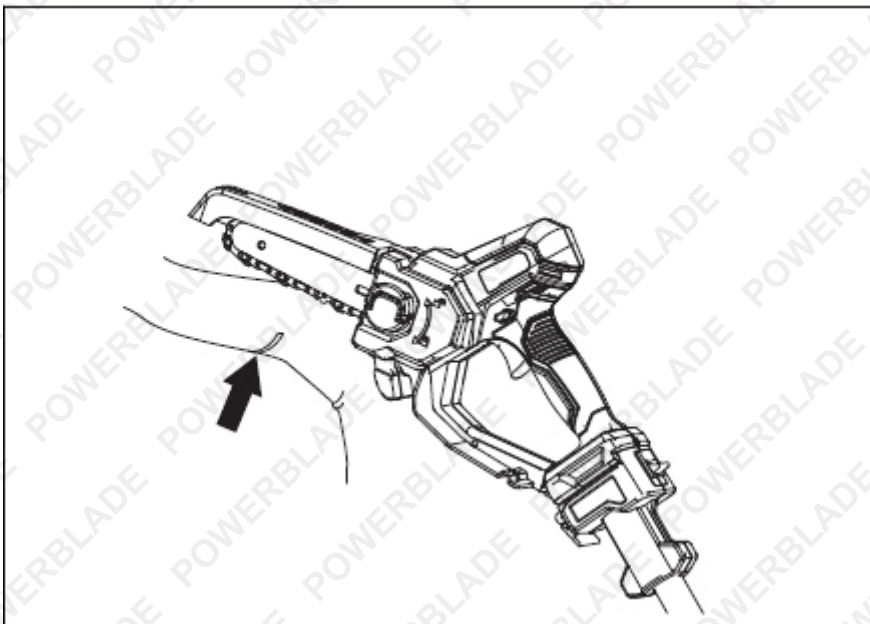


SW6 Cordless Chainsaw Kit

- Use the stop at the base of the cutting head to provide support during cutting. This will help prevent the cutting attachment from bouncing on the branch.



- Make an initial cut on the underside of the branch before cutting through the branch. This will prevent tearing of the bark, which could lead to slow healing and cause permanent damage to the tree. The cut should not be deeper than $\frac{1}{3}$ of the branch thickness to prevent jamming. Keep the chain running while you withdraw the cutting attachment from the branch to prevent it from jamming.

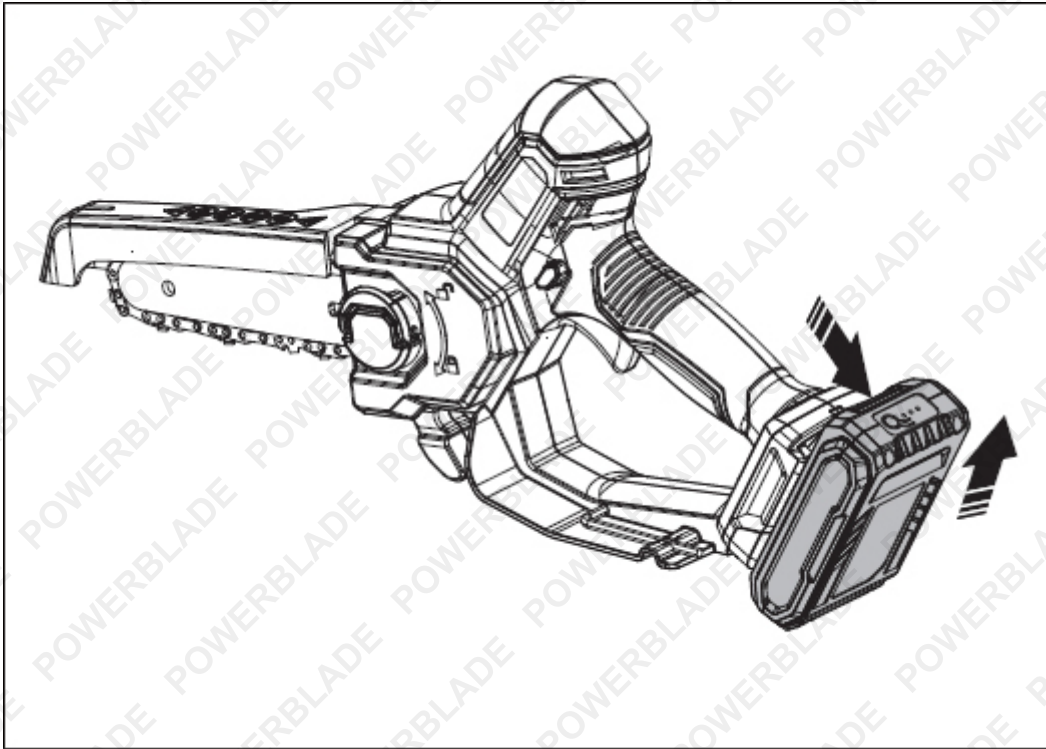


- Make sure you have a firm footing and that you can work without being hampered by branches, stones, and trees.

WARNING: Never activate the power trigger without having the cutting attachment in full view.

To Stop the Product

1. Release the power trigger.
2. Push the release button and pull out the battery.



Charging the Battery

USE THE BATTERY CHARGER ONLY WITH AUTHORISED 20V LITHIUM-ION BATTERIES.

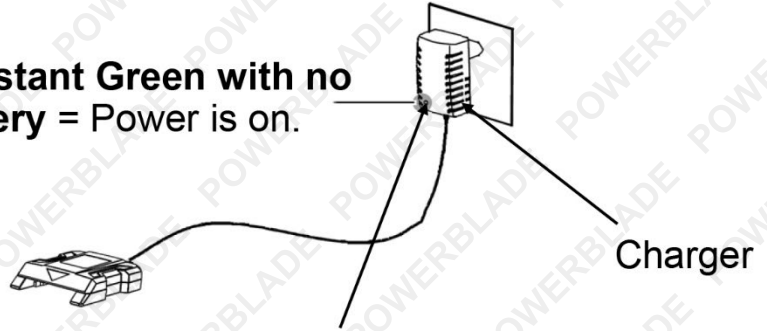
Battery packs are shipped in a low charge condition to prevent possible issues. Therefore, you should charge them prior to use.

NOTE: Batteries will not reach full charge the first time they are charged. Allow several cycles (operating the tool followed by recharging the batteries) for them to fully charge.

To Charge

1. Use this battery charger only with authorised 20V Lithium-ion batteries.
2. Ensure the power supply is normal house voltage, 220-240 volts, 50 Hz, AC only.
3. Connect the charger to the power supply. The light will be **GREEN**, indicating that the power is on.
4. Slide the battery pack into the charger.
5. Press down on the battery pack to ensure the contacts on the battery pack engage properly with the charger contacts.
6. The charger light will illuminate. A constant **RED** light indicates the battery is charging. A constant **GREEN** light indicates the battery is fully charged.
7. A minimum charge time of 80 minutes is required to recharge a completely discharged battery pack.
8. The battery pack will become slightly warm to the touch while charging. This is normal and does not indicate a problem.
9. **DO NOT** place the charger in an area of extreme heat or cold. It will work best at normal room temperature.
10. When the battery is fully charged, unplug the charger from the power supply and remove the battery pack.

Constant Green with no battery = Power is on.



Constant Red = Battery is charging
Constant Green = Battery is fully charged.



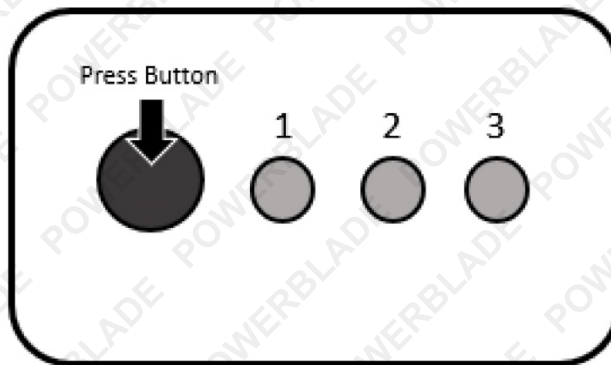
2.0Ah Battery Pack



4.0Ah Battery Pack

Battery Capacity

By pressing the button, the LED display shows the battery capacity.



| LED lights | Battery status |
|-----------------|---|
| All LED are on | Full charged (70-100%) |
| LED 1, 2 are on | Battery is 35%-70% charged |
| LED 1 is on | Battery is depleted (0%-35%). Charge the battery. |

SW6 Cordless Chainsaw Kit

LED Function of Charger

The LED will light up to indicate the status of the charger and battery pack:

- One constant **green** LED with no battery installed = Power is on.
- One constant **red** LED = Battery pack is charging.
- One constant **green** LED = Battery pack is fully charged.




Important Information for Recharging Hot Batteries

When using a tool continuously, the battery pack may become hot. You should allow a hot battery pack to cool down for approximately 30 minutes before attempting to recharge it.

NOTE: If the charger does not charge your battery pack under normal circumstances, please contact the manufacturer or an authorised service centre.

Lithium Battery Care and Maintenance

Top 3 Battery Care Requirements

1. **Charge battery before first use.** The battery may arrive with some charge, regardless of this the battery must be charged for 1.5 hours on the initial charge and 1.5 hours for each subsequent charge. 
2. **Charge battery immediately when it is depleted.** Do not store a depleted battery. This will permanently impact the life of the battery. If the battery is going to be stored for a period of time, fully charge the battery before storing. 
3. **Disconnect battery when not in use.** To prolong the life of a battery, disconnect it from the unit when not in use. Disconnect chargers from the battery once charged. 

To ensure the battery maintains optimum performance, follow the guidelines outlined below.

- For best results, charge batteries in temperatures between 10°C and 30°C
- When battery is charged, disconnect the charger from the power supply and remove the battery from the charger.
- If a battery is stored or otherwise unused for an extended period, and the battery has no charge remaining when you check it, consider it to be damaged. Do not attempt to recharge it or to use it. Replace it with a new battery.
- Use only with the battery charger specified by the manufacturer.
- Ensure that the battery charger electrical cord is not subjected to damage or stress. Do not operate the battery charger if it has a damaged electrical cord or plug.
- Do not use the charger in wet areas or expose it to rain or water.
- The typical estimated life of a Lithium-Ion battery is about two to three years or 300 to 500 charge cycles, whichever occurs first. One charge cycle is a period of use from fully charged, to fully discharged, and fully recharged again.
- Explosion hazard – protect the battery against heat, for example, direct sunlight and fire. Do not store batteries in vehicles or locations subject to heat.
- Batteries can explode in the presence of an ignition source, such as a pilot light. To reduce the risk of serious personal injury, never use any cordless product in the presence of open flame. Exploding batteries can propel debris and chemicals.
- Do not open the battery – danger of short-circuiting and/or explosion.
- Do not attempt to destroy or disassemble the battery pack or remove any of its components.
- Do not touch the battery terminals with metal objects and/or body parts as short-circuit and/or personal injury may result.
- Explosion hazard – do not open and/or short-circuit the battery.
- Poison hazard – battery leakage (liquid ejection). Under extreme conditions, liquid may be ejected from the battery – avoid contact. If contact accidentally occurs, immediately seek medical attention, and flush with water. If liquid contacts eyes, immediately seek medical attention, flush with clean water for at least 10 minutes. Liquid ejected from the battery may cause irritation or burns.
- Dispose of non-serviceable batteries in an environmentally responsible manner and according to local regulations.

Failure to adhere to the requirements above may result in the battery becoming inoperative or battery life being reduced. In extreme cases or abuse, battery overheating, or fire may result.

DANGER - BATTERY CHARGING, USE AND STORAGE

Like mobile phones, laptops, cordless vacuum cleaners etc, this product may contain or be related to a lithium ion battery pack (lithium ion batteries and lithium ion battery related items only). Lithium ion batteries allow fast charging and high capacities, however care must be taken to reduce chances of a fault, and increase safety in case a fault occurs. Catastrophic incidents involving lithium ion batteries have a tendency to result in large amounts of smoke and fire. Be sure to follow the points below to reduce the likelihood of danger whenever you use, charge or store any lithium ion battery.

- Never charge a battery that has been damaged or subjected to a forceful impact.
- Never charge a battery that has been exposed to moisture or water.
- Never charge a battery with a charger that wasn't supplied with the battery.
- Never use a battery in a device that it wasn't specifically designed for.
- Never use a battery with a modified or damaged device.
- Never modify the battery, product, charger, circuitry or wiring.
- Never charge a battery in an exit path that may be used by people to leave a room or building in case of an emergency, for example, the hallway or foyer of a residence.
- Never charge a battery in an area or building that doesn't have the recommended number of working smoke detectors that have been tested in accordance with local guidelines.
- Never charge a battery when the battery or charger is displaying a problem or charging incorrectly.
- Always charge batteries on a non-combustible surface, for example, on a concrete floor.
- Always charge batteries at least 3m away from anything combustible, such as floors, wall surfaces, furniture, storage shelves etc.
- Always charge batteries in an open area (outside if possible) ensuring the battery and charger are away from moisture and water.
- Always disconnect batteries from the charger after charging.
- Always remove or disconnect batteries from the device/product when not in use.
- Always ensure batteries are charged under adult supervision. Do not charge unattended. Do not charge batteries while no one is home or while people are sleeping.
- Keep batteries away from heat and moisture.
- Damaged batteries should be disposed of through your local e-waste collection service.
- Avoid mixing and matching chargers. Unplug products when fully charged, and charge batteries in a cool, dry place away from combustible materials like beds, lounges, or carpet.
- During charging and use, check your lithium-ion batteries for overheating, signs of swelling, leaking, or venting gas. Immediately stop using your product if these signs are present.
- Allow batteries to cool after use and before charging.

Maintenance

WARNING: Read and understand the safety chapter before you do maintenance work on the product. Remove the battery before you do maintenance on the product.

General

- When servicing, use only identical replacement parts. The use of any other parts may create a hazard or cause product damage.
- Do not allow brake fluids, gasoline, petroleum-based products, penetrating oils, etc., to come into contact with plastic parts at any time. These substances contain chemicals that can damage, weaken, or destroy plastic.
- DO NOT abuse power tools. Abusive practices can damage tools as well as the workplace.
- Do not attempt to modify or create accessories not recommended for use with the charger. Any such alteration or modification is misuse and could result in a hazardous condition, leading to possible serious personal injury.

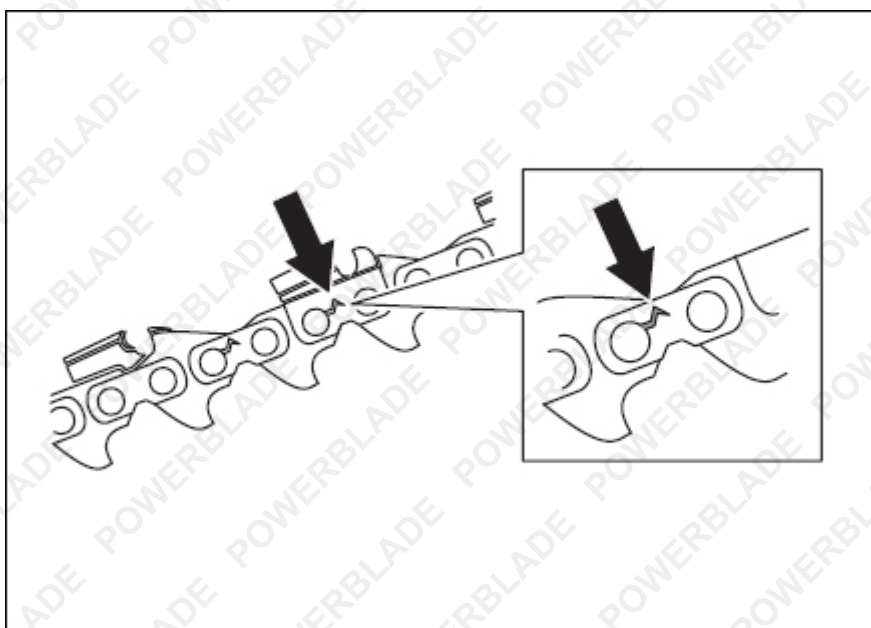
Maintenance Schedule

| Maintenance | Daily | Weekly | Monthly |
|---|-------|--------|---------|
| Clean the external parts of the product with a dry cloth. Do not use water. | ✓ | | |
| Make sure that the power trigger and the power trigger lockout operate correctly from a safety point of view. | ✓ | | |
| Make sure that all controls operate correctly and are not damaged. | ✓ | | |
| Keep the handles dry and clean. Make sure that there is no oil and grease on the handles. | ✓ | | |
| Make sure that the saw chain cover is not damaged. Replace the saw chain cover if it is damaged. | ✓ | | |
| Make sure that the screws and nuts are tight. | ✓ | | |
| Make sure that the battery release buttons on the battery operate correctly and lock the battery in the product. | ✓ | | |
| Make sure that the battery charger operates correctly. | ✓ | | |
| Make sure that the battery is not damaged. | ✓ | | |
| Make sure that the battery is charged. | ✓ | | |
| Make sure that the battery charger is not damaged. | ✓ | | |
| Examine all cables, couplings and connections. Make sure that there is no damage or dirt. | | ✓ | |
| Clean the saw chain cover. | | ✓ | |
| Do a check of the connections between the battery and the product. Do a check of the connection between the battery and the battery charger. | | | ✓ |

| Maintenance | Daily | Weekly | Monthly |
|--|---|--------|---------|
| Make sure that the pruner is not damaged. Replace the pruner if it is damaged. | An approved dealer must do all servicing on the pruner. | | |
| Examine the wear of the chain drive sprocket. | Replace the chain drive sprocket after approximately 20 hours of operation or more frequently if it is necessary. | | |

To Examine the Cutting Equipment

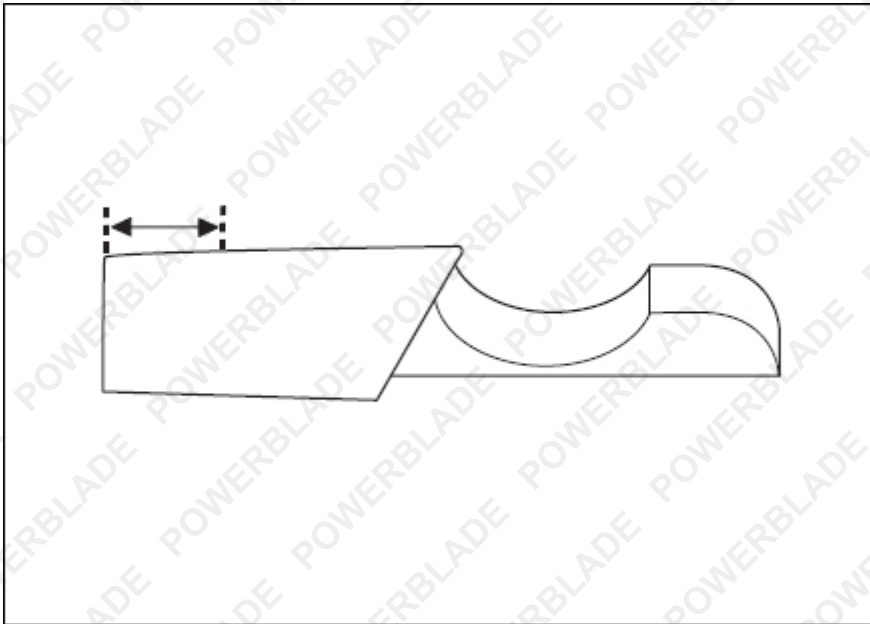
1. Make sure that there are no cracks in the rivets and links and that no rivets are loose. Replace the saw chain if it is necessary or if it is rigid.



2. Make sure that the saw chain is easy to bend.
3. Compare the saw chain with a new saw chain to examine if the rivets and links are worn.

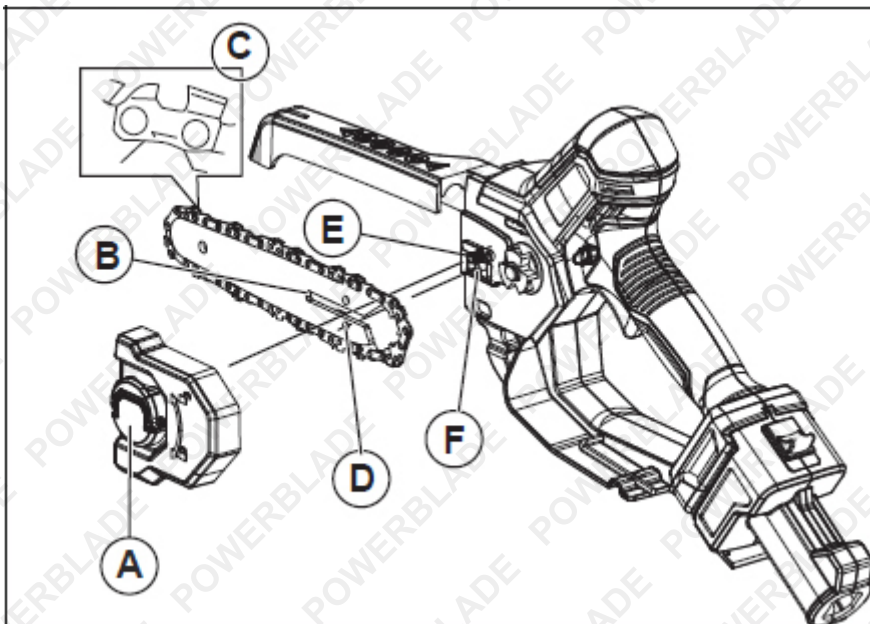
SW6 Cordless Chainsaw Kit

4. Replace the saw chain when the longest part of the cutting tooth is less than 4 mm (0.16 in). Also, replace the saw chain if there are cracks on the cutters.



To Replace the Guide Bar and the Saw Chain

1. Turn the locking knob counterclockwise and remove the protective cover (A).



2. Remove the guide bar with the saw chain attached.
3. Remove the saw chain from the guide bar.
4. Place a new saw chain in the groove of the guide bar.
5. Install the new guide bar with the groove (B) aligned onto the bolt (E) and the hole (D) onto the guide bar pin (F).
6. Install the saw chain around the drive sprocket (G). Make sure that the cutting teeth point in the direction away from the drive sprocket (C).
7. Install the protective cover (A) and turn the locking knob clockwise.

8. Tighten the saw chain.

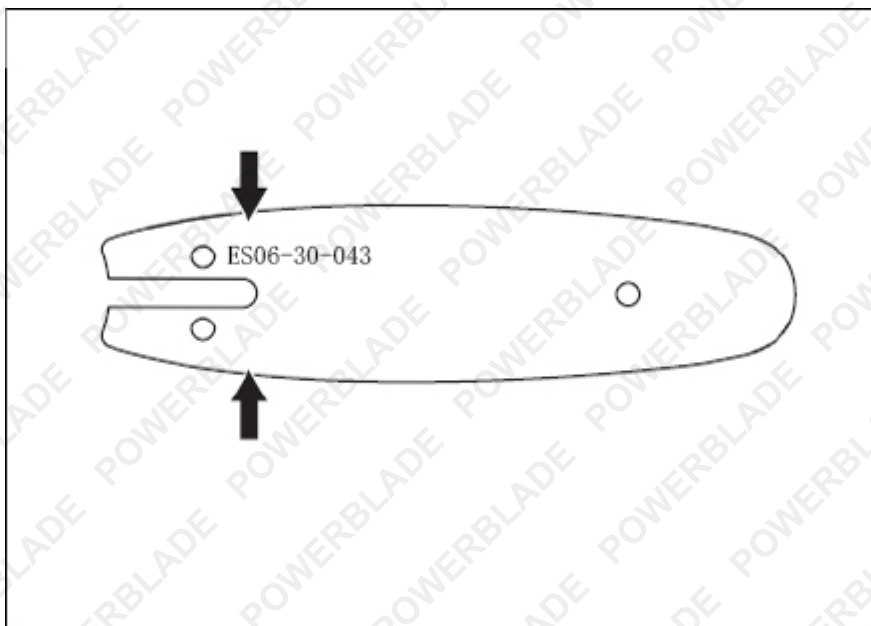
To Sharpen the Saw Chain

Information about the Guide Bar and Saw Chain

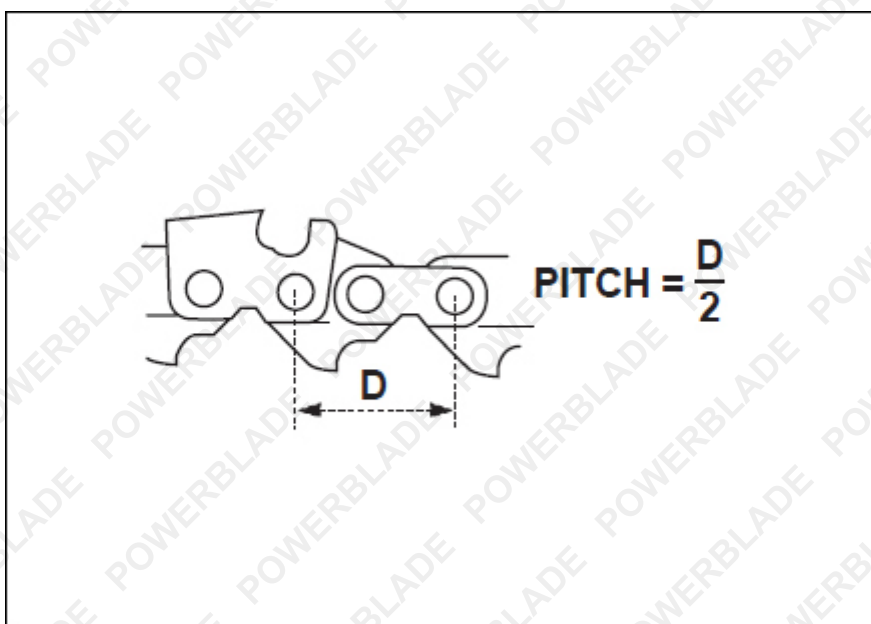
WARNING: Use protective gloves when you use or perform maintenance on the saw chain. A saw chain that does not move can still cause injuries.

Replace a worn or damaged guide bar or saw chain with the guide bar and saw chain combination recommended by the manufacturer. This is necessary to maintain the safety functions of the product.

- Guide bar length (in/cm): Information about the guide bar length and chain type can usually be found on the rear end of the guide bar.

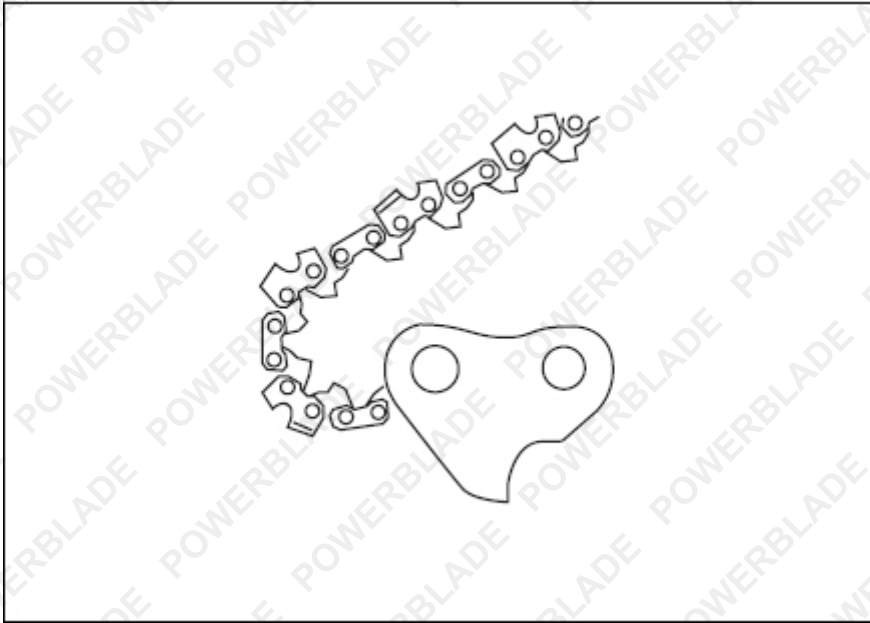


- Chain pitch (in): The distance between the drive links of the saw chain must align with the distance of the teeth on the bar tip sprocket and drive sprocket.

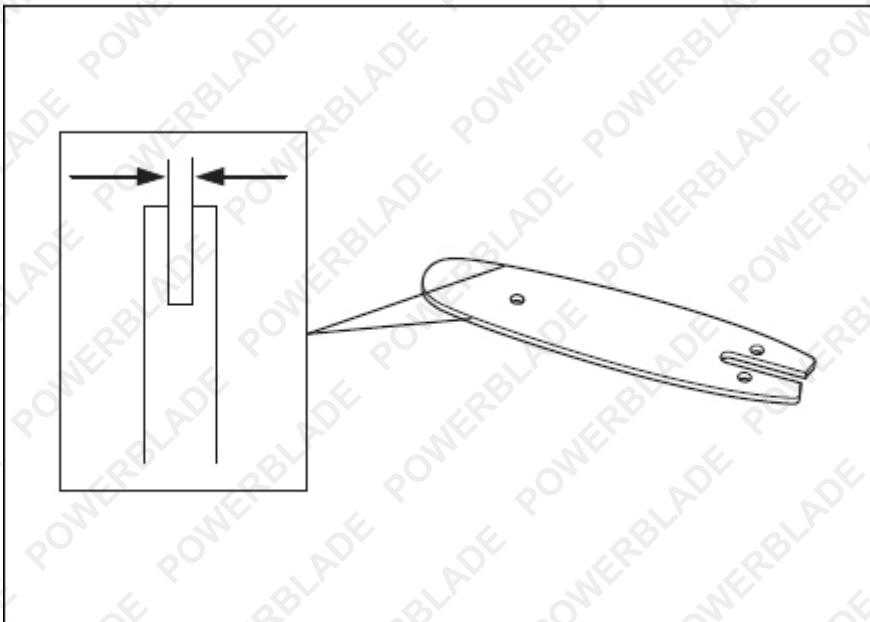


SW6 Cordless Chainsaw Kit

- Number of drive links: The number of drive links is determined by the type of guide bar. (Fig. 61)

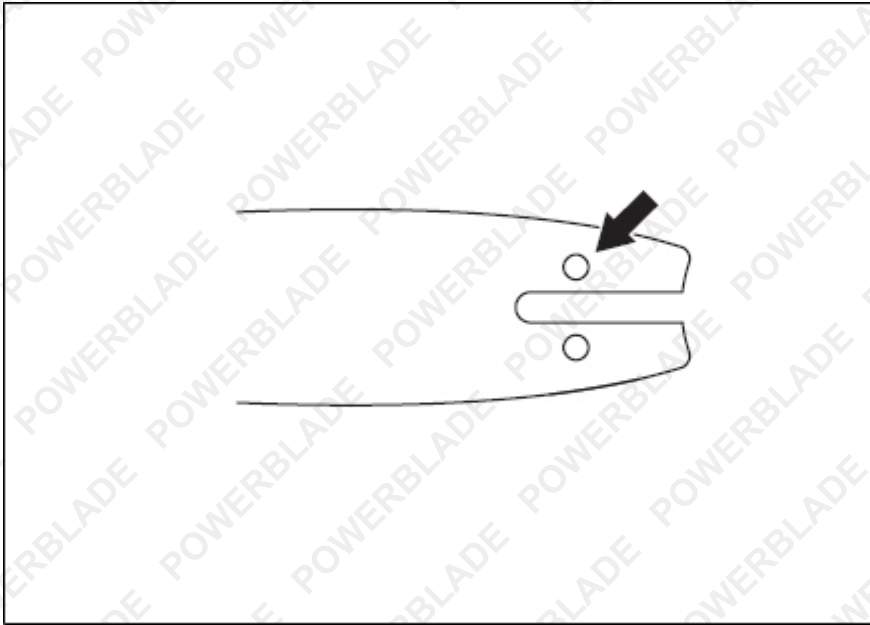


- Bar groove width (in/mm): The groove width in the guide bar must be the same as the chain drive links width.

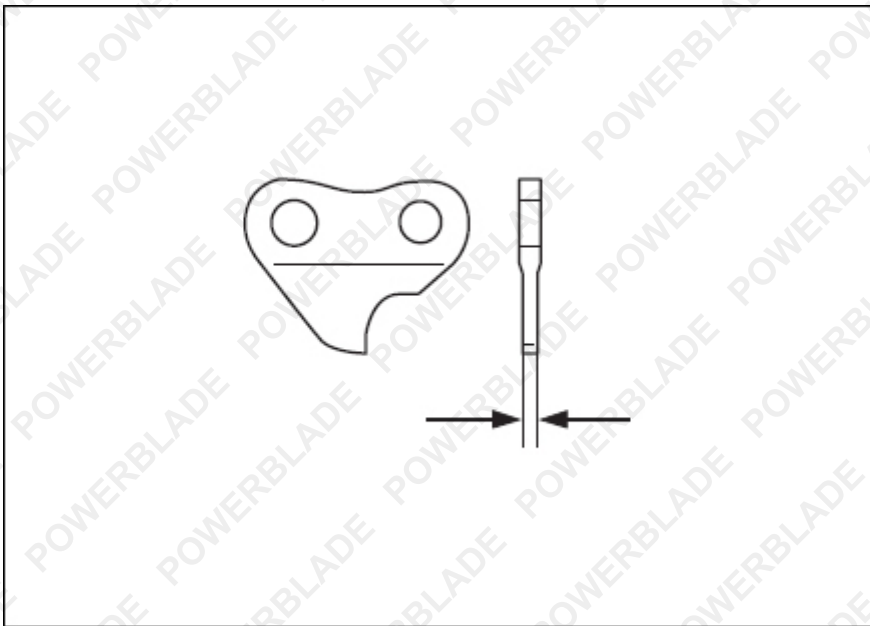


SW6 Cordless Chainsaw Kit

- The guide bar must align with the product.



- Drive link width (mm/in)

**General Information About How to Sharpen the Cutters**

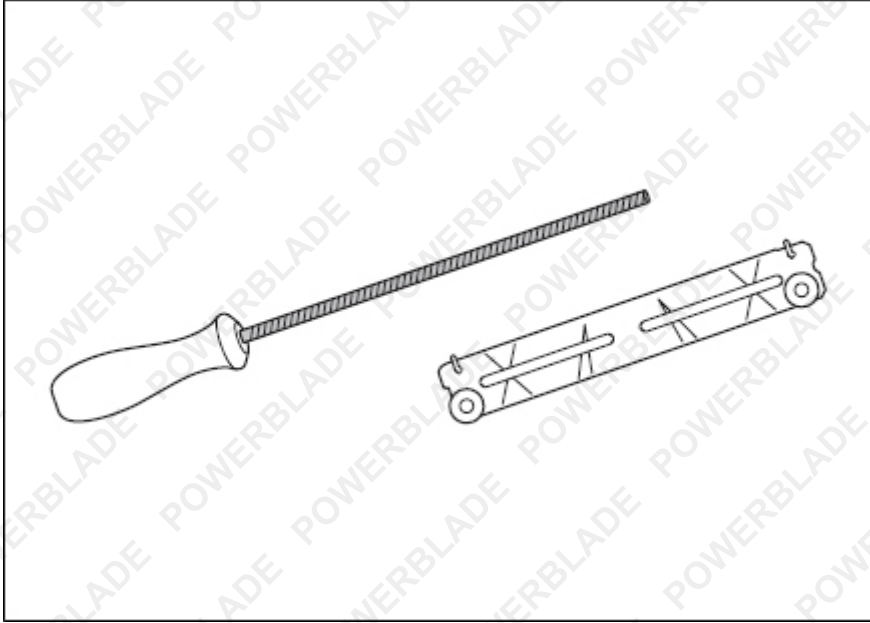
Do not use a blunt saw chain. If the saw chain is blunt, you must apply more pressure to push the guide bar through the wood. If the saw chain is very blunt, there will be no wood chips, only sawdust. A sharp saw chain cuts through the wood efficiently, producing long and thick wood chips.

WARNING: The force of the kickback increases significantly if you do not follow the sharpening instructions.

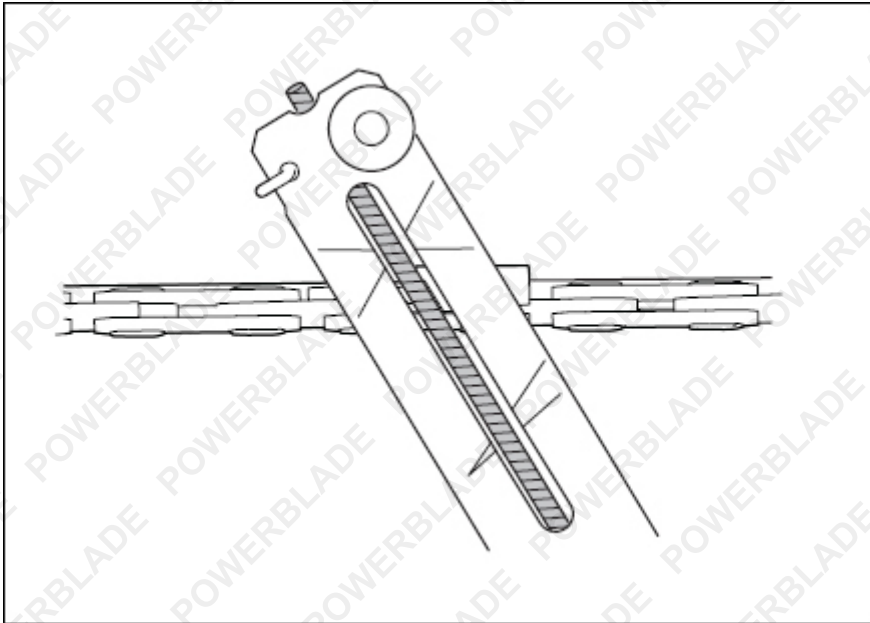
SW6 Cordless Chainsaw Kit

To Sharpen the Cutters

1. Use a round file and a file gauge to sharpen the cutting teeth.



2. Apply the file gauge correctly onto the cutter. Refer to the instructions supplied with the file gauge.
3. Move the file from the inner side of the cutting teeth outward. Decrease the pressure on the pull stroke.



4. Remove material from one side of all the cutting teeth.
5. Turn the product around and remove material from the other side.
6. Make sure that all cutting teeth are the same length.

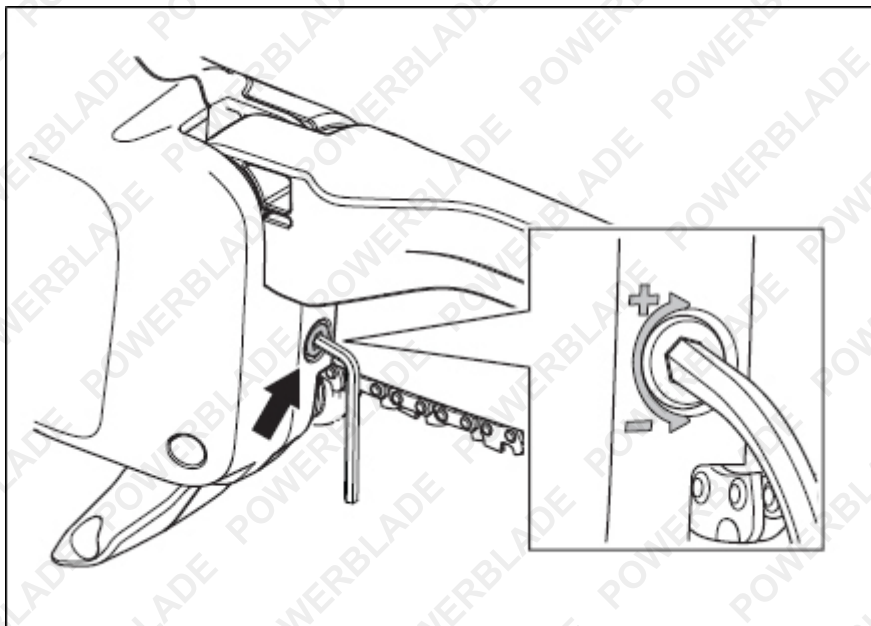
To Adjust the Tension of the Saw Chain

WARNING: A saw chain with incorrect tension can come loose from the guide bar and cause serious injury or death.

A saw chain becomes longer with use. It is important to adjust the tension of the saw chain regularly to ensure it is correct. Check the tension of the saw chain before operating the product. Tighten the saw chain as tightly as possible, but it must still be possible to pull the saw chain around freely by hand.

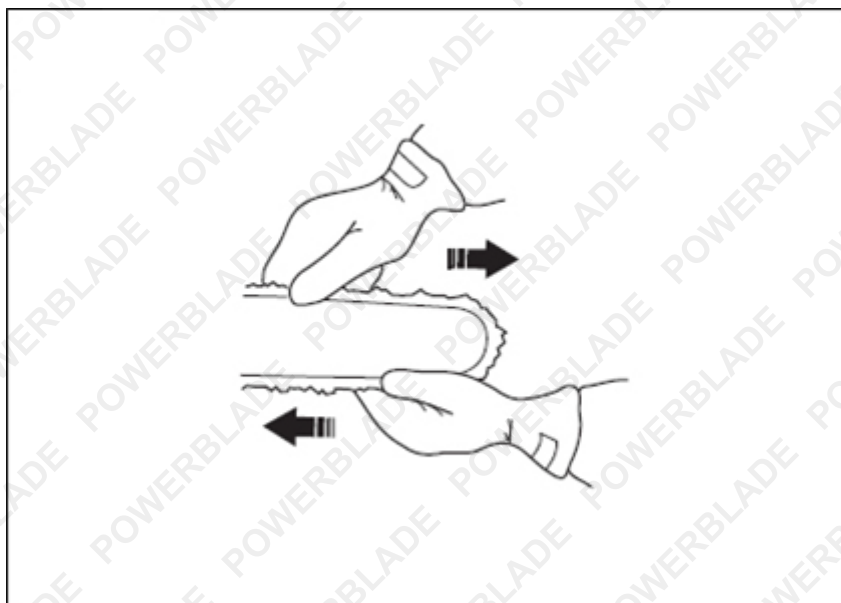
Note: A new saw chain has a running-in period. Check the tension more frequently during this period.

1. Turn the chain tension adjuster clockwise to tighten the saw chain. Apply as much tension as possible. The saw chain must be tight against the guide bar.



Note: Turn the adjuster up (+) for more tension and down (-) for less tension. The saw chain is correctly tightened when you can turn it easily by hand, but it remains tight against the guide bar.

2. Make sure you can pull the saw chain around freely by hand and that it does not hang from the guide bar.



To Lubricate Cutting Equipment

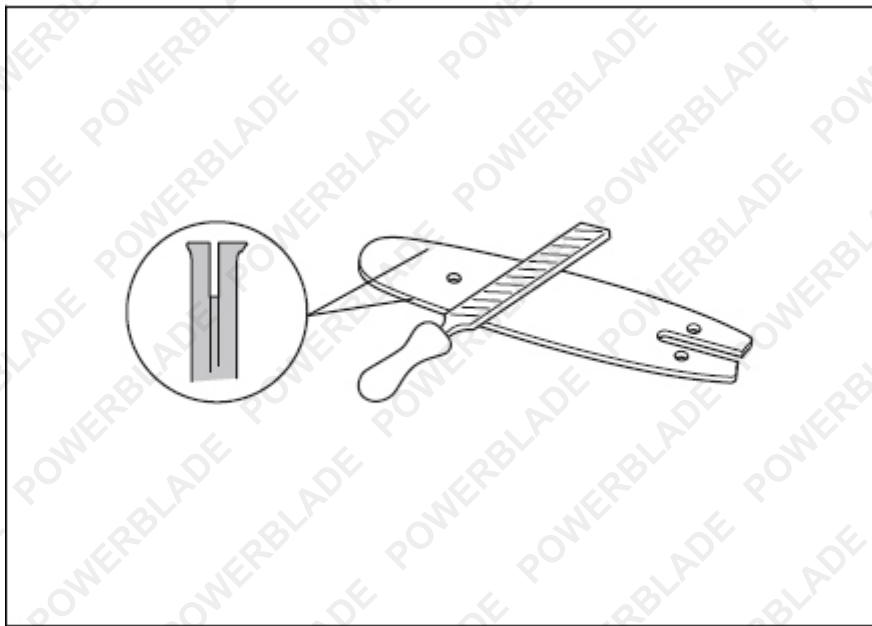
WARNING: Poor lubrication of cutting equipment may cause the chain to snap, which could lead to serious, even fatal injuries. Do not use waste oil! Waste oil is dangerous for persons, the product, and the environment.

Saw Chain Oil

- Use saw chain oil with good adherence to the saw chain. The oil must maintain its viscosity in all weather conditions, such as during hot summers or cold winters.
- Use BIO chain oil for maximum saw chain life and to minimise environmental damage. If Husqvarna saw chain oil is not available, use a standard saw chain oil.
- In areas where oil for lubrication of saw chains is not available, use BIO chain oil.
- Make sure that the lubrication of the saw chain works correctly. Fill with saw chain oil and check the saw chain lubrication as necessary.

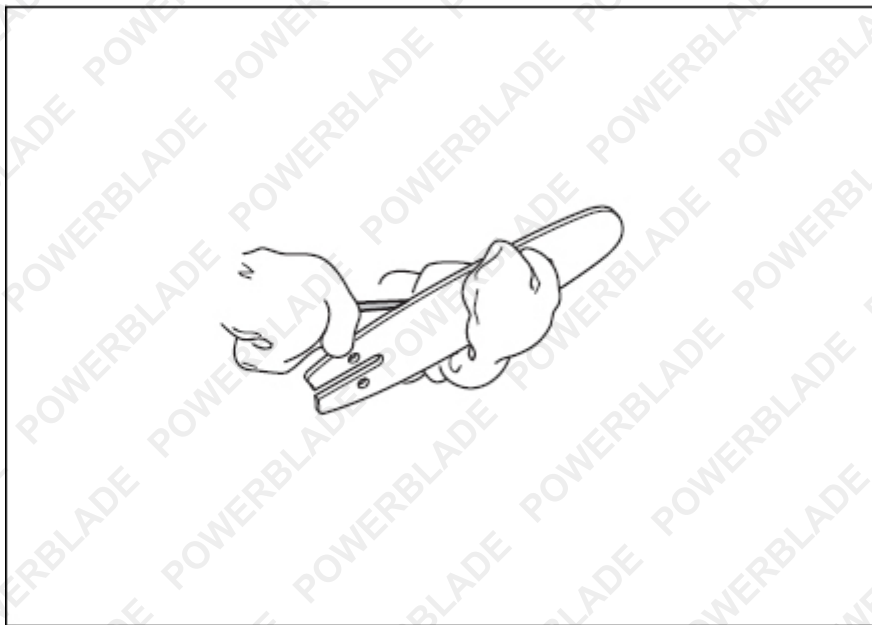
To Check the Guide Bar

1. Check for burrs on the edges of the guide bar. Remove the burrs using a file.

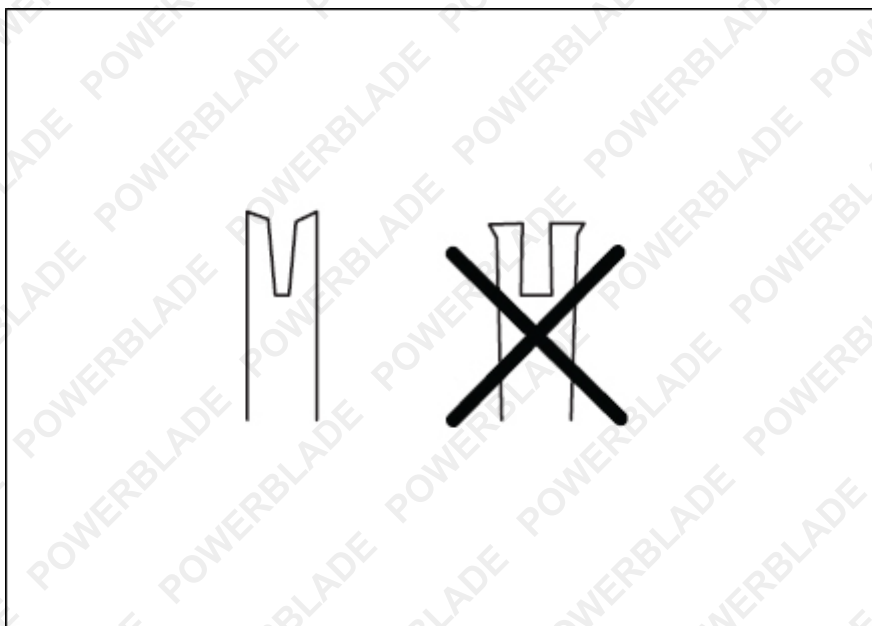


SW6 Cordless Chainsaw Kit

2. Clean the groove in the guide bar.

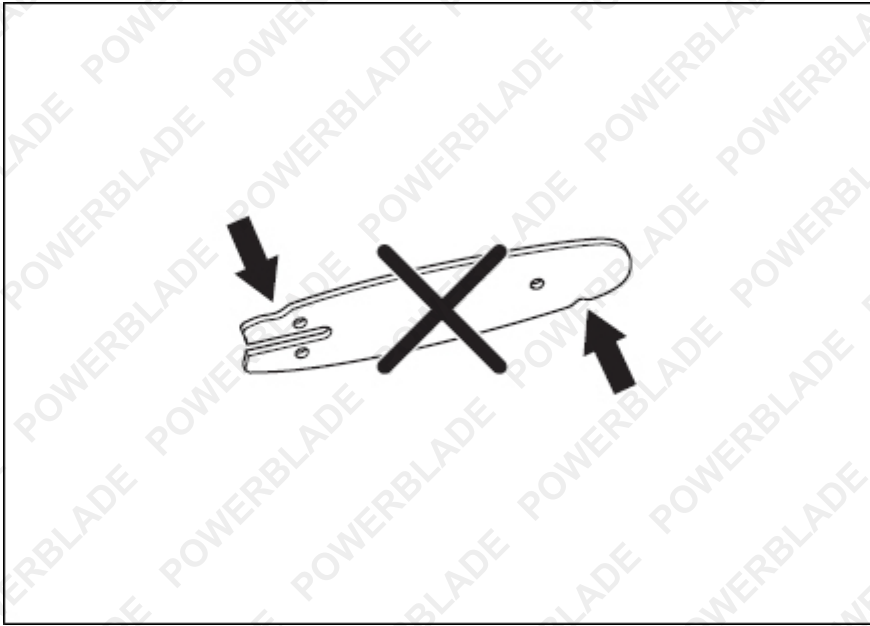


3. Examine the groove in the guide bar for wear. Replace the guide bar if necessary.

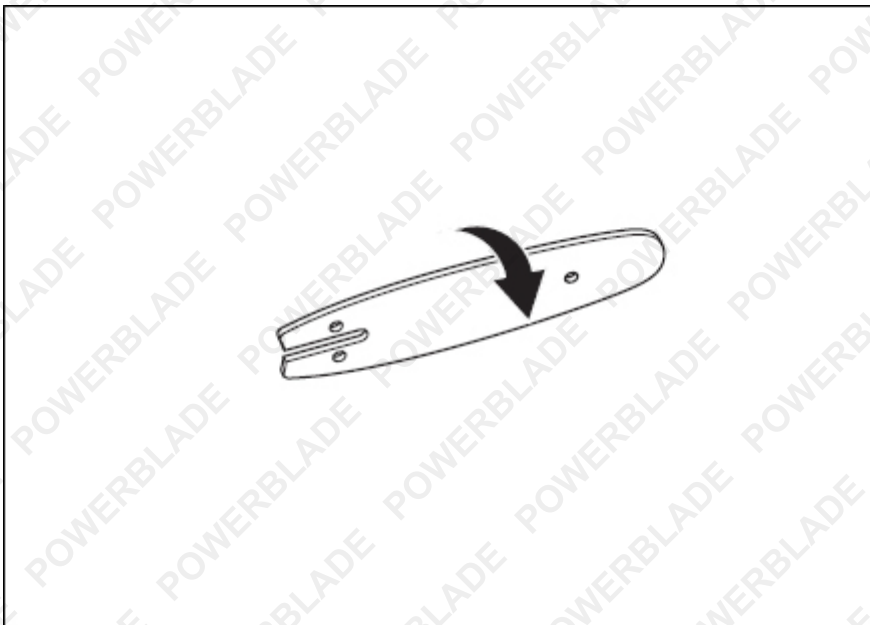


SW6 Cordless Chainsaw Kit

4. Check if the guide bar tip is rough or very worn.



5. Turn the guide bar daily to extend its life cycle.



To Clean the Product, the Battery, and the Battery Charger

1. Clean the product with a dry cloth after use.
2. Clean the battery and battery charger with a dry cloth. Keep the battery guide tracks clean.
3. Ensure that the terminals on the battery and the battery charger are clean before use.
4. Clean the inner surface of the protective cover with a brush.

To Examine the Battery and the Battery Charger

1. Examine the battery for damages, such as cracks.
2. Examine the battery charger for damages, such as cracks.
3. Ensure that the connection cord of the battery charger is not damaged and that there are no cracks in it.

Troubleshooting

The following table provides checks and actions that you can perform if your machine does not operate correctly. If these do not identify or remedy the problem, contact your service agent.

WARNING: Switch off and remove the battery pack before investigating any faults.

| Symptom | Possible Cause | Remedy |
|---|--|--|
| Chainsaw fails to operate | Out of battery. | Charge the battery pack. |
| | Fuse faulty. | Replace fuse. |
| Chainsaw operates intermittently | Overheating. | Place the machine in a cool, ventilated place to cool it down. |
| | Applying too much pressure while cutting. | Apply relatively less pressure while cutting. |
| | Loose connection. | Contact service agent. |
| | Internal wiring defective. | Contact service agent. |
| Chain/chain bar over-heats | On/off switch defective. | Contact service agent. |
| | Chain is over-tensioned. | Adjust chain tension. |
| Chainsaw rips, vibrates, does not saw properly | Dull chain. | Sharpen chain or replace. |
| | Chain tension too loose. | Adjust chain tension. |
| | Dull chain. | Sharpen chain or replace. |
| | Chain worn out. | Replace chain. |
| | Chain teeth are facing in the wrong direction. | Reassemble with chain in correct direction. |

Transportation and Storage

- The supplied Li-ion batteries comply with the Dangerous Goods Legislation requirements.
- Follow the special requirements for packaging and labeling for commercial transportation, including by third parties and forwarding agents.
- Consult with a person trained in handling dangerous materials before shipping the product. Obey all applicable national regulations.
- Use tape on open contacts when placing the battery in a package. Secure the battery tightly in the package to prevent movement.
- Remove the battery for storage or transportation.
- Store the battery and battery charger in a space that is dry and free from moisture and frost.
- Do not store the battery in an area where static electricity can occur. Do not store the battery in a metal box.
- Store the battery in a location where the temperature is between 5°C (41°F) and 25°C (77°F) and away from direct sunlight.
- Store the battery charger in a location where the temperature is between 5°C (41°F) and 45°C (113°F) and away from direct sunlight.
- Use the battery charger only when the ambient temperature is between 5°C (41°F) and 40°C (104°F).
- Charge the battery to 30% to 50% before storing it for long periods.
- Store the battery charger in a space that is closed and dry.
- Keep the battery away from the battery charger during storage. Do not allow children or unauthorized persons to touch the equipment. Store the equipment in a space that can be locked.
- Clean the product and perform full servicing before storing it for a long time.
- Use the transportation guard on the product to prevent injuries or damage during transportation and storage.
- Secure the product safely during transportation.

Specifications

| | |
|----------------------------|----------------------------------|
| Battery | Lithium Ion |
| Battery Voltage | 20V |
| Battery Capacity | 2.0Ah |
| Bar Length | 6 Inch |
| Chain Speed | 5m/s |
| Chain Specification | 0.3" Pitch, .043 Gauge, 30 Links |
| Brake Type | Electronic |
| Charger | 240V |
| Charge Time | 90 mins |
| Power Source | Battery |
| Power Plug | Australian Standard |

Note: Requires minimal assembly



Some experts believe that the incorrect or prolonged use of almost any product may cause serious injury or death. To help reduce your risk of serious injury or death, refer to the information below. For more information, see www.datastreamserver.com/safety

- Consult all documentation, packaging, and product labelling before use. Note that some products feature documentation available online. It is recommended to print and retain the documentation.
- Before each use, check the product for loose/broken/damaged/missing parts, wear, or leaks (if applicable). Never use a product with loose/broken/damaged/missing parts, wear, or leaks.
- Products must be inspected and serviced (if applicable) by a qualified technician every 6 months. This is based on average residential use by persons of average size and strength, and on a property of average metropolitan size. Use beyond these recommendations may require more frequent inspections/servicing.
- Ensure that all users of the product have completed a suitable industry recognised training course before being allowed access to the product.
- The product has been supplied by a general merchandise retailer that may not be familiar with your specific application or description of application. Be sure to attain third-party approval from a qualified specialist for your application before use, regardless of any assurances from the retailer or its representatives.
- This product is not intended for use where fail-safe operation is required. As with any product (for example, automobile, computer, toaster), there is the possibility of technical issues that may require the repair or replacement of parts, or the product itself. If the possibility of such failure and the associated time it may take to rectify could in any way inconvenience the user, business, or employee, or financially affect the user, business, or employee, then the product is not suitable for your requirements. This product is not intended for use where incorrect operation or a failure of any kind, including but not limited to, a condition requiring product return, replacement, parts replacement, or service by a technician may cause financial loss, loss of employee time or an inconvenience requiring compensation.
- If this product has been purchased in error when considering the information presented here, contact the retailer directly for details of their returns policy, if required.

