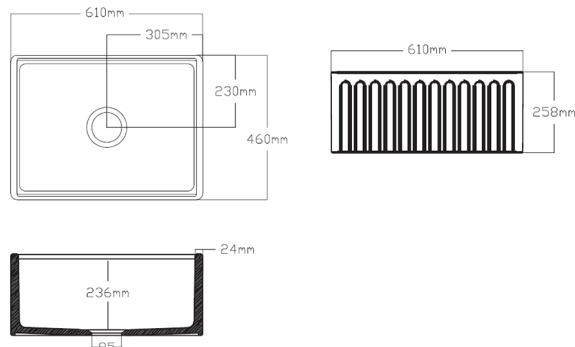


Cove 60 Fireclay Butler Sink



BATHROOM | KITCHEN | LAUNDRY | TRADITIONAL & HAMPTONS STYLE SPECIALISTS

Specifications

- Material: Fine Fireclay
- Finish: White Gloss
- Requires waste: 1 x 90x50mm Basket Waste (not included)
- Product weight: 35kg
- Capacity: 53L
- Mounting options: Butler (front showing), Counter Top (glazed on all 4 sides), Under Counter (shelving required)
- Suitable for use with food waste disposer – we recommend purchase of an extended flange and a model with anti-vibration collar
- This sink is reversible, so it can be installed with flat or ribbed/farmhouse side facing out.
- Note: Fine Fireclay is a natural product and therefore subject to variations. This should be seen as a quality that adds to its unique natural beauty. Variations +/- 2% to the specifications are common and acceptable and are within industry tolerance. We always recommend the cabinet maker and stone provider has the actual sink with them to measure before making cabinetry or cutting stone. For more information please visit our Installation Care & Warranty page or Contact Us.

Product Options

- CV60FS: Cove 60 Fireclay Butler Sink
- NO60SSG.: Novi 60 Protective Stainless Steel Grid
- CV60FS-OF: Cove 60 Fireclay Butler Sink With Overflow

Warranty

For peace of mind, Turner Hastings offers the following warranty on this product and its components:

Cove Sink – 6 years

For more details, click here to refer to our warranty page.