

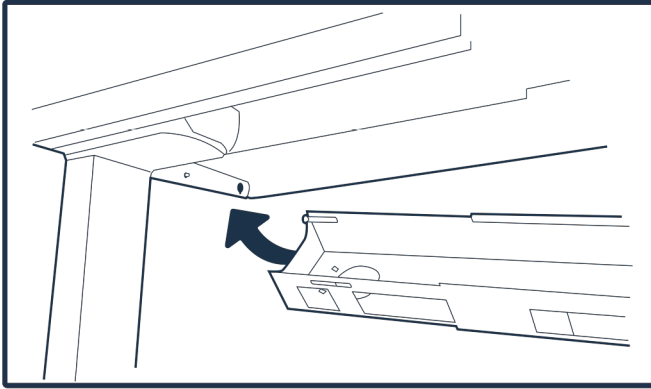
# DESKY

## Intergrated Cable & Data Channel

### Installation Instructions

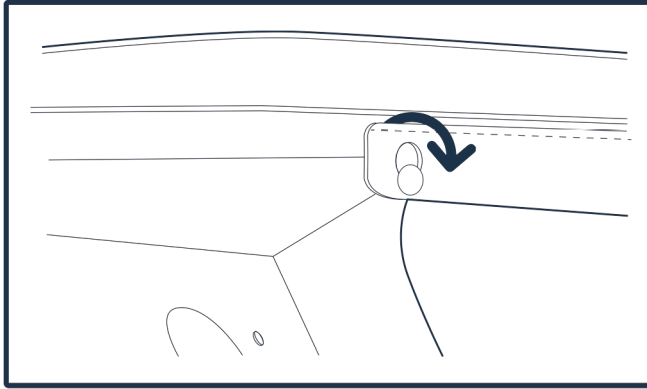
[www.desky.com.au](http://www.desky.com.au)

#### STEP 1.



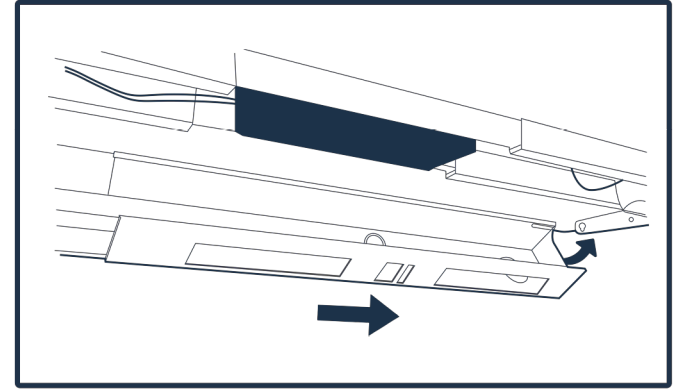
Slide one end of the cable management channel into the side bracket at the back of the Desky.

#### STEP 2.



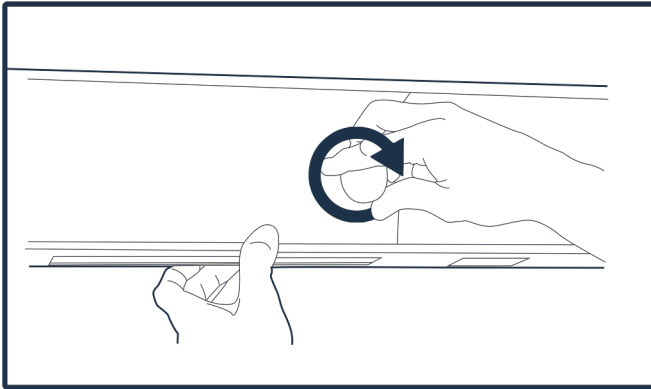
The cable management channel will fit on to the hole provided.

#### STEP 3.



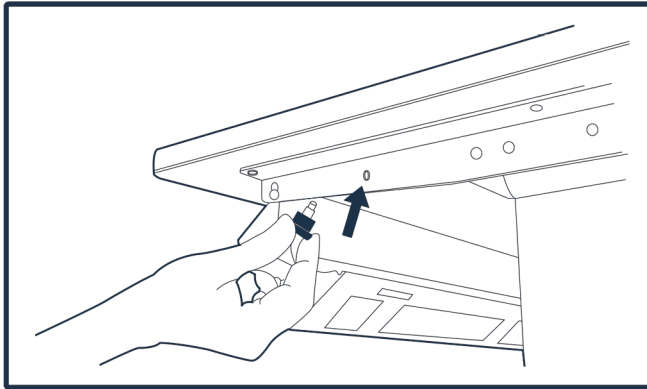
Extend the length of the channel to meet the opposing bracket and secure into place.

#### STEP 4.



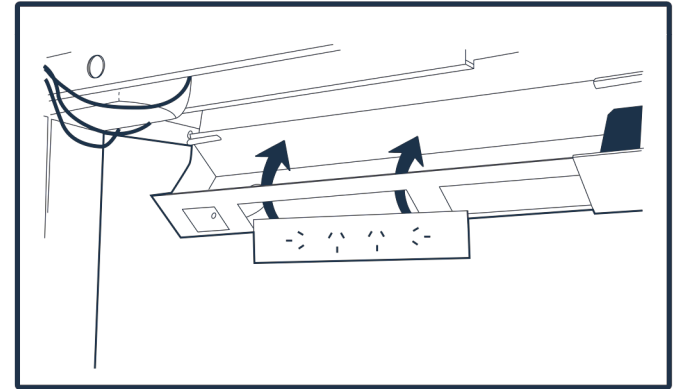
Tighten the centre knob to secure the tray into position. This will ensure that the component does not move nor slide.

#### STEP 5.



Insert and screw into place the spring loaded release screws into the side bracket (either side).

#### STEP 6.



The purpose fit cutouts in the channel fit our Elsafe powerboards - These click seamlessly into the tray.