

Ergonomic Excellence Meets Refined Comfort

The Regal Mesh Office Chair is thoughtfully designed for all-day support and long-lasting comfort. Whether you're powering through deep work or shifting between tasks, this chair adapts to your body and your workspace.



Breathable Mesh

Keeping you cool and comfortable.



Lumbar Support

50mm seat slider for full support.



3D Armrest

Fully adjustable: height, depth and angle.



Synchro Tilt

Maintain an ergonomic posture.






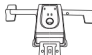






DESKY REGAL MESH OFFICE CHAIR



ASSEMBLY INSTRUCTIONS & FEATURES

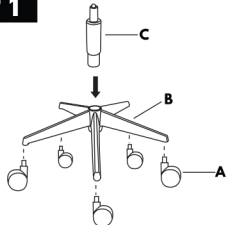


PARTS

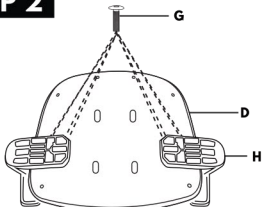
<p>A CASTERS QTY 5</p> 	<p>B BASE QTY 1</p> 	<p>C GAS CYLINDER QTY 1</p> 
<p>D SEAT CUSHION QTY 1</p> 	<p>E SEAT BODY QTY 1</p> 	<p>F BASE PLATE QTY 1</p> 
<p>G M6x35MM QTY 6 SCREWS</p> 	<p>H M8x25MM QTY 4 SCREWS</p> 	<p>I M8x20MM QTY 5 SCREWS</p> 
<p>J WASHERS QTY 2</p> 	<p>K ARMRESTS QTY 1</p> <p>L R</p> 	<p>K ALLEN KEY QTY 1</p> <p>#5</p> 

ASSEMBLY GUIDE

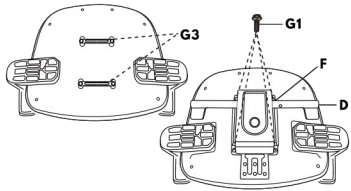
STEP 1



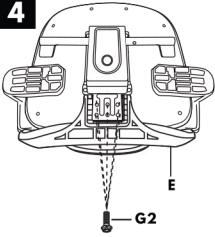
STEP 2




STEP 3



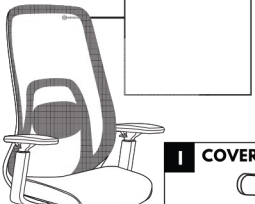
STEP 4



STEP 5



STEP 6



I COVER CAP QTY 1

