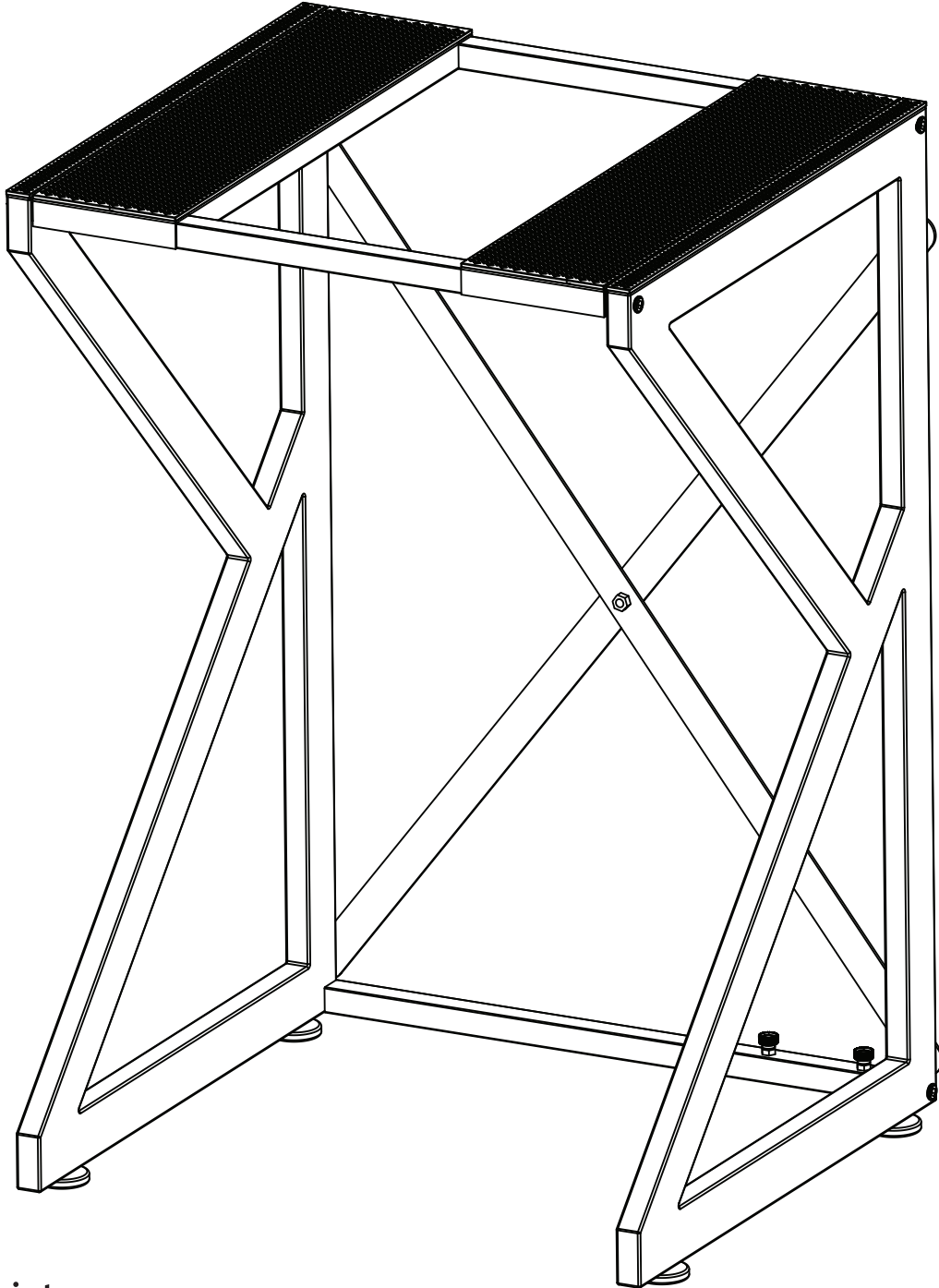









DRYERSTAND



maxi

ASSEMBLING INSTRUCTIONS



Parts List

- Ⓐ  M8x40 Bolt - Qty. 6
- Ⓑ  M8x20 Bolt - Qty. 5
- Ⓒ  Cross Bar Nut - Qty. 1
- Ⓓ  Tightener - Qty. 6
- Ⓔ  Adjustable Foot - Qty. 4

-  Allen Key - 1 off
-  Spanner - 1 off

FOLLOW THE STEP BY STEP INSTRUCTIONS




Step 1

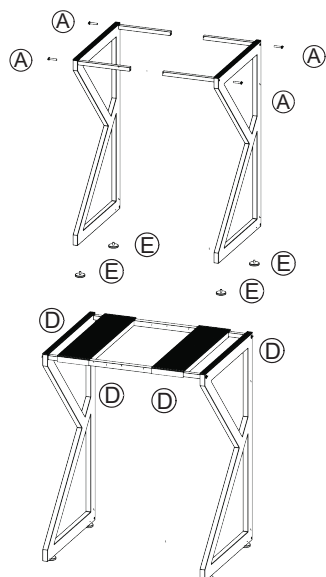
Screw in the adjustable feet to the bottom of the frame.

Connect the 4 handles with the bolts provided on the inside of the frames.

Step 2

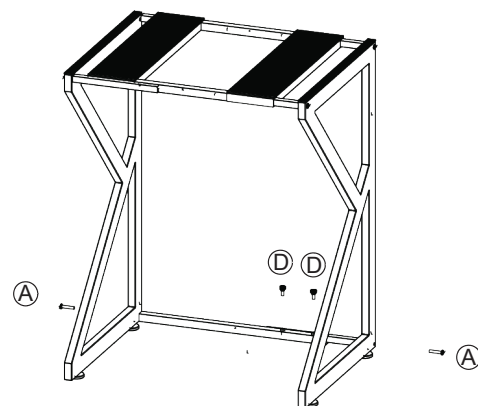
Slide the handles into the top shelf and screw in the tighteners.

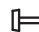

- (A)  M8x40 Bolt - 4
- (D)  Tightener - 4
- (E)  Adjustable Foot - 4



Step 3

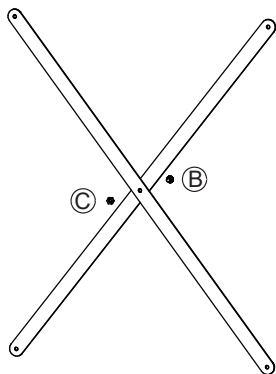
Fasten the bottom bar to the stand with the provided screws.





- (D)  Tightener - 2
- (A)  M8x40 Bolt - 2

Step 4

Connect the cross bars with the provided nut and bolt.

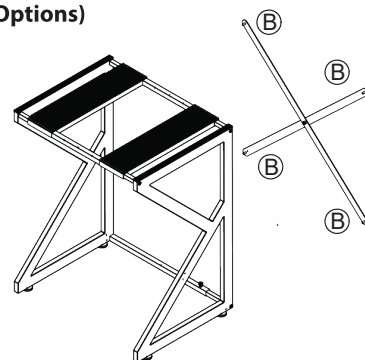


- (B)  M8x20 Bolt - 1
- (C)  Cross Bar Nut & Bolt - 1

Step 5 (6 Width Adjustment Options)

Measure your washing machine width and available space. Select the width you require. There are six widths to choose from.

Attach the cross bar to the frame and screw it into the selected adjustable width.



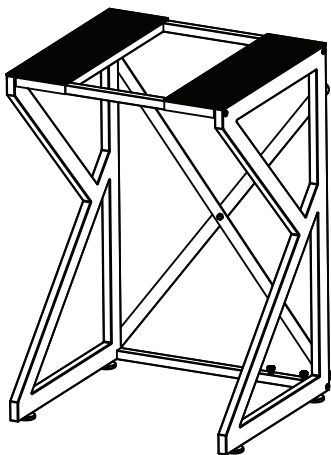
Choose from 6 different widths. The lower the attachment are wider the stand will be.

Please ensure both sides match when installing the cross brace.

- (B)  M8x20 Bolt - 4

Step 6

Once the stand is fully assembled, make sure all of the nuts and bolts are firmly tightened with allen key.

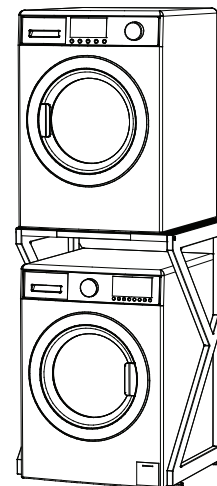


Step 7

Disconnect and remove your washing machine. Place the Dryer Stand Maxi in its space.

Move the washing machine in between the stand and reconnect the power cord and hoses.

Place your dryer on top of the stand.



Note: When the clothes dryer is operating on a spin cycle, the Dryer Stand Maxi may experience a small vibration. The Dryer Stand Maxi is stable and designed to sustain such movements, so please do not be concerned if this occurs.

Caution: Ensure your clothes dryer with wet clothes does not exceed the maximum weight load of 100 kilograms.