



Futura Wall Faced Toilet

STYLE

Wall Faced Toilet

CODE

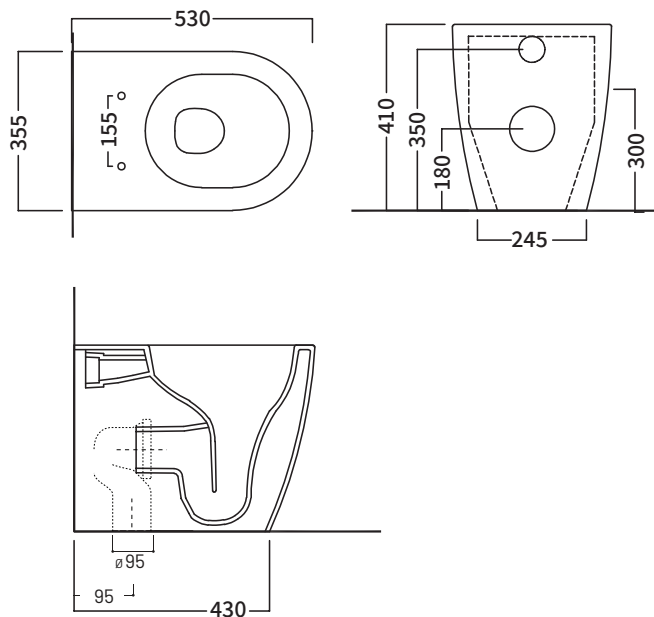
FUT002

COLOURS

Gloss White

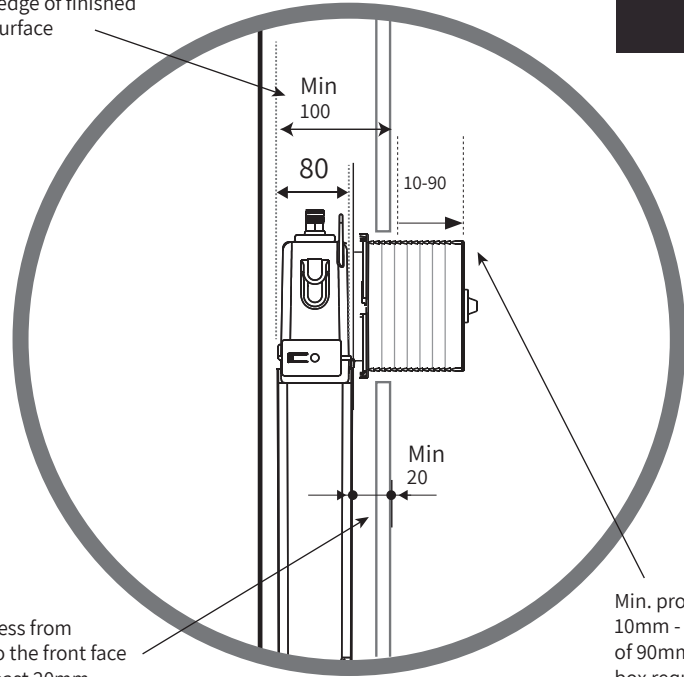
INCLUSIONS

Connector, Soft Close Seat
N.B. S-Trap connector supplied
as standard





Minimum of 100mm from rear of cistern to front edge of finished wall surface



Minimum thickness from front of cistern to the front face of wall to be at least 20mm

Min. projection of 10mm - Max. projection of 90mm of the flange box required prior to trimming to accommodate actuator,

Oli 74

Product Type

In-Wall Cistern

CODE

601602/MC - (Mechanical)

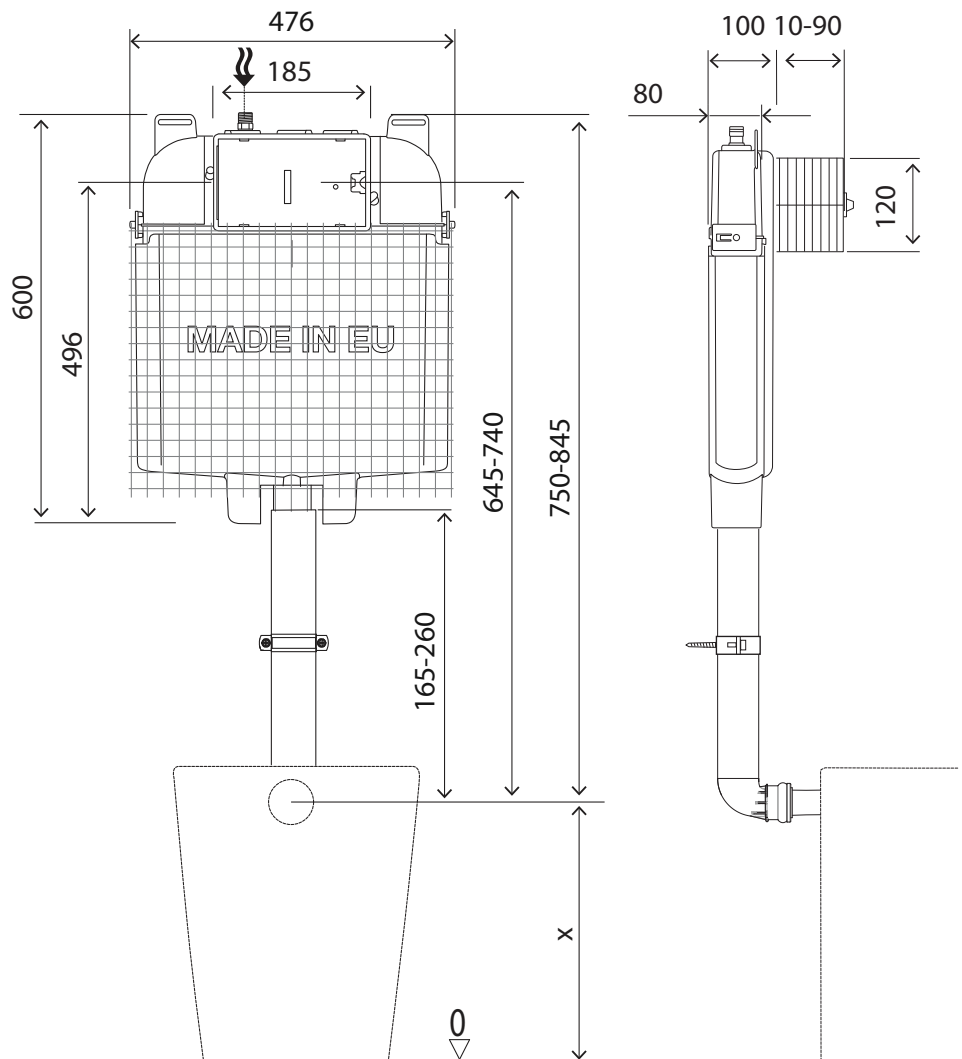
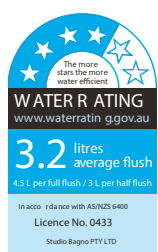
601602/PN - (Pneumatic)

WEIGHT

3.5 kg

FEATURES

- Compatible with all Oli Actuator Plates
- Front Access
- Dual Flush with 4.5/3 Litre Flush
- 100mm min, wall cavity required
- 10 year Warranty
- Factory Flush Tested
- Made in Portugal
- Mechanical actuator kit included
- Delayed Refill valve saves 0.5L every flush



Note: All dimensions are in millimetres and are subject to normal manufacturing variances. Physical Product must be proofed and measurements confirmed before any alteration to installation area is conducted. Studio Bagno reserves the right to alter dimensions at any time. Date created: 29/07/2024