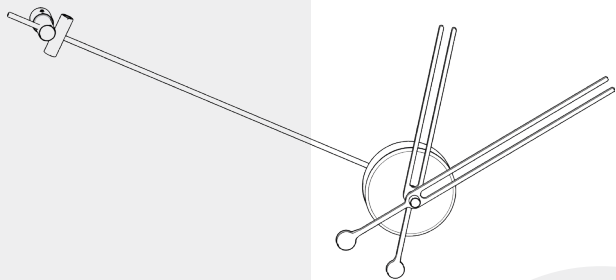




# GRAVITY

## INSTALLATION - INSTALLATION GUIDE



www.mclocks.store



Scan QR Code  
For Instructions





Thank you for choosing Mclocks. You can access the installation video related to the Gravity model by scanning the QR code on the homepage with your mobile phone's camera. All the necessary information is available in the installation guide and video.

-  [mclocks.store](https://www.instagram.com/mclocks.store)
-  [www.mclocks.store](http://www.mclocks.store)
-  [info@mclocks.store](mailto:info@mclocks.store)

# CONTENTS

Hour Hand



Minute Hand



Clock Mechanism



Allen Key



Wall Mount Kit



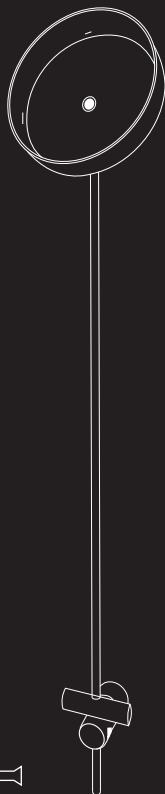
Wall Plug

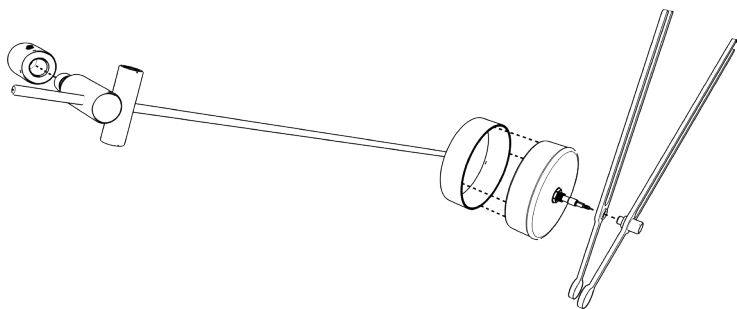


Screw



Body

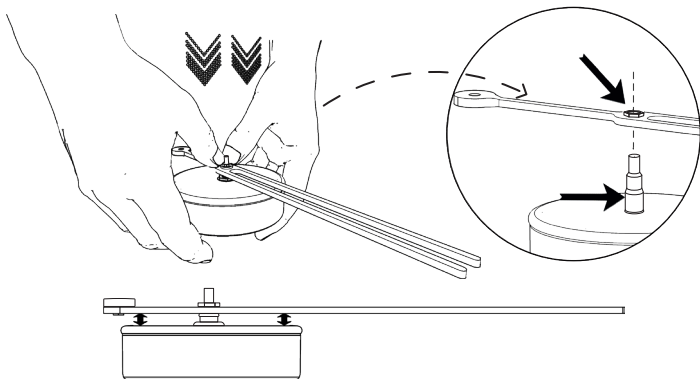






## BEFORE YOU BEGIN

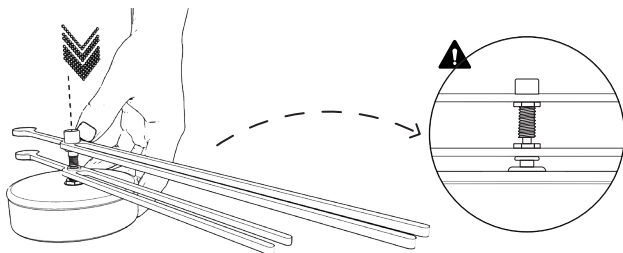
- Make sure you have read the manual. Follow instructions to complete your set-up.
  - This product has been tested and run for 24 hours before being delivered to you. This is to ensure your product is of the highest quality.
  - The Mclocks package includes an 'hour' hand, and a 'minute' hand. The shorter hand is the hour hand and the longer hand is the minute hand. The product does not consist of a 'seconds' hand.
  - **DO NOT** in any circumstance move the hour hand manually. When adjusting the time you must **ONLY** move the minute hand.
  - The mechanism is very silent.
- Ensure you have fixed the body of the clock to the wall before
- you install the clock mechanism to the body. Take caution with the clock mechanism and ensure it is attached firmly to the body.
- Ensure the clock is parallel and flat to the wall or the clock hands
- may be inaccurate.



- 1 Insert the hour hand to the mechanism by pressing down until the metal nut piece at the center, facing upwards, fits into the indicated area as shown by the arrow.

Ensure the hand is parallel to the clock mechanism (see image above).

Ensure the hour hand does not move from this position during setup of the clock.



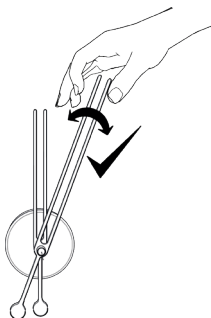
- 2 Attach the minute hand in line with the hour hand.

Press down from the connection point of the minute hand and not from the ends.

- ⚠** See image for the correct installation method of the hour and minute hands.

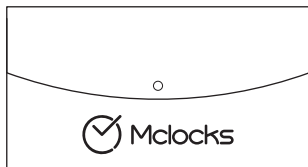


**DO NOT** in any circumstance move the hour hand manually. When adjusting the time you must **ONLY** move the minute hand.



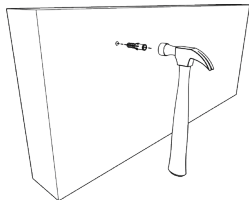
When adjusting the time, only move the minute hand. The minute hand can be moved both clockwise and counterclockwise

• Wall Plug • Allen Key • Screw



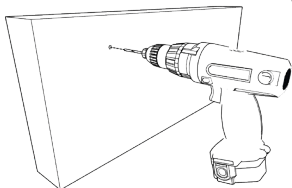
3

Remove the Allen key, dowel, and screw from the cloth bag.



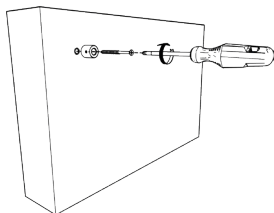
5

Insert the wall plug into the hole. Please make sure the wall plug provided suit the wall you are mounting your clock to.



4

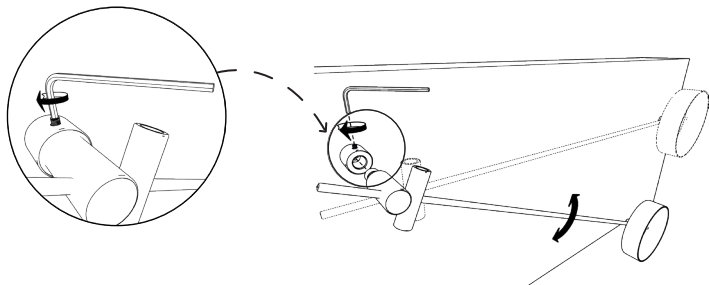
Using a 9mm drill bit, drill a point on your wall.



6

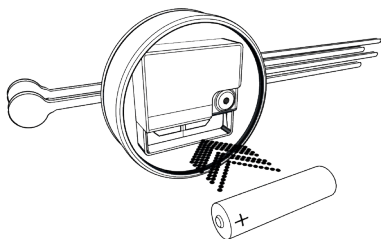
Screw the wall mount kit to the wall plug.

Ensure it is firmly in place otherwise the clock will not sit in the desired position.



- 7 Insert the body to the wall mount as seen in the image.  
Bring the clock to the angle you would like positioned on the wall.  
Once in the desired position, tighten the screw using an allen key.

- 8 Insert battery.



9

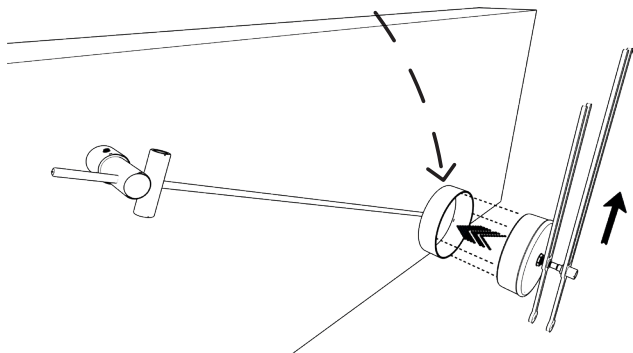
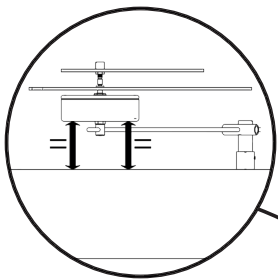
**\*IMPORTANT\***

Before attaching the clock mechanism to the body, you will need align the minute hand directly in line with the hour hand (refer to the diagram). **DO NOT** manually turn the hour hand, ensure you only adjust the minute hand.

Once you have aligned the clock hands, place the mechanism onto the body with the hands facing 12:00.

Once the mechanism is attached to the body with hands pointing to 12:00, you may fix the time using **ONLY** the minute hand. Turn the minute hand manually until the desired time is set. The hour hand will move as you turn the minute hand.

The mechanism must be parallel to the wall.





## USER'S GUIDE

- To clean your product, use a damp cloth. Do not use chemicals.
- **Remove the clock mechanism before cleaning.**
- To replace the battery, remove the mechanism from the body.
- After replacing the battery, bring the minute hand over the hour hand manually, then align the clock mechanism so that the hands are pointing to 12:00.
- 12:00 o'clock is where the hands should point when resetting your clock. Always **ONLY** turn the minute hand to adjust the time.
- If you require further information, please contact us.



**Mclocks**

More than  
a clock

- 📍 +1 661 888-80-50
- 📱 @mclocks.store
- 🌐 www.mclocks.store
- ✉ info@mclocks.store