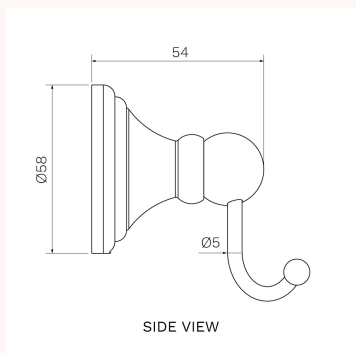
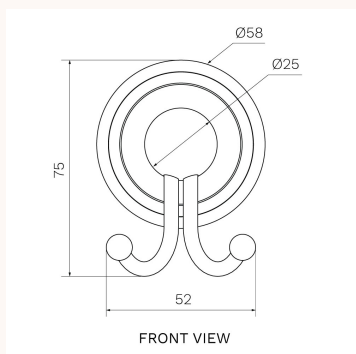
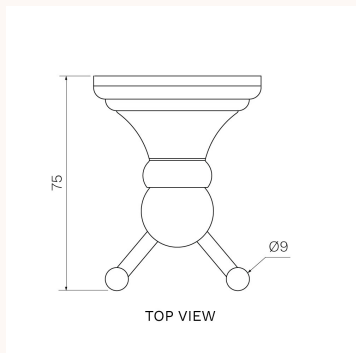





Hermitage Double Robe Hook

HE.HKD, HE.HKD.40, HE.HKD.56

Blending contemporary function and Victorian classicism, the Hermitage Double Robe Hook from PARISI is timeless. Inspired by French and Italian Victorian provincial designs, these classic style fittings are appointed with intricate details and finishing touches.



Product type	Bathroom Accessories
Brand	PARISI
Collection	Hermitage
Range	Design
Designers	PARISI Design Team
WxDxH	58mm x 80mm x 75mm
Colour / Finish	<div style="display: flex; justify-content: space-around; align-items: center;"> <div style="text-align: center;">  <p>Chrome</p> </div> <div style="text-align: center;">  <p>Pewter</p> </div> <div style="text-align: center;">  <p>Antique Brass</p> </div> </div>
Material	Brass

Warranty	10 Year Warranty
Availability	Stocked Item
Fixing Types	Wall Dual Fixing Points

PARISI

