

HOTO Precision Screwdriver Kit Pro



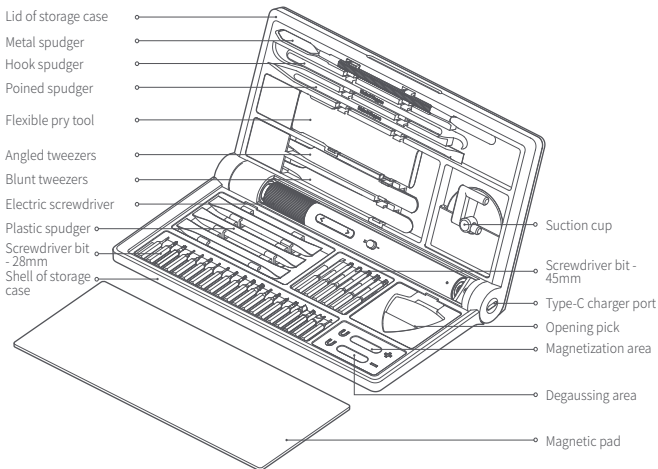
**Make It
Happen**



Visit our website for more Cool Tools
(www.hototools.com)

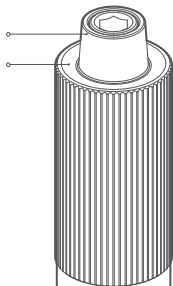
01 Product Overview

Thank you for using HOTO Precision Screwdriver Kit Pro.
Read this manual carefully before use, and retain it for future reference.

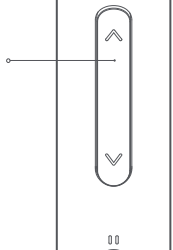


bit holder

Headlamp



Forward/re-verse button

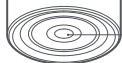


Gear switch

I $0.05 \pm 0.03 \text{ N} \cdot \text{m}$

II $0.2 \pm 0.08 \text{ N} \cdot \text{m}$

Electric charging indicator light



02 How to Use

The usage method of the storage case

Storage case opening/closing

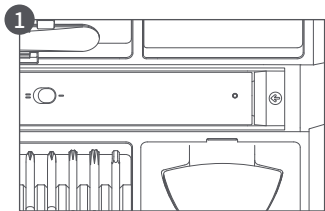
Lift up the lid of the storage case to the natural opening state, and the maximum opening angle is 110°. Please do not break it hard.

Electric screwdriver storage

Push the screwdriver sleeve end forward slightly to take it out. After use, insert the sleeve head into the circular orifice first, and then gently push it down for storage.

Screwdriver bit storage

The screwdriver bit is stored in the bottom shell by magnetic absorption. Press the head slightly, the screwdriver bit head goes up, and then it can be taken out. After the use of screwdriver bit, place the screwdriver bit into the slot, then the screwdriver bit can be adsorbed by itself.



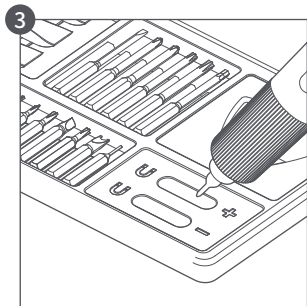
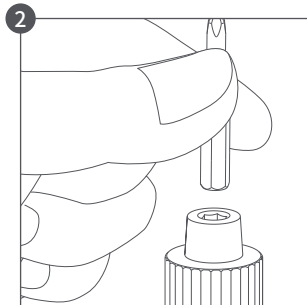
The usage method of the electric screwdriver

Take out the screwdriver bit from the storage case, and insert it into the bit holder.

Magnetizing instructions

After inserting the screwdriver bit into the bit holder, place it at the lower right corner of the magnetizing slot "+".

After staying for about 5 seconds, it can be magnetized to generate magnetism, which may absorb a majority of screws; if the operation screwdriver bit cannot be magnetic, place it at the lower right corner of the degaussing slot "-" for about 5 seconds for degaussing.



Forward/reverse button


Press the gear “^” and screw in or tighten the screw.


Press the gear “v” and unscrew or loosen the screw.

Gear switch

Push the gear switch, and switch between gear “I” and “II”.

Push backward to gear “I” and push forward to gear “II”.

 0.05±0.03N·m

 0.2±0.08N·m

The charging of the electric screwdriver

After inserting the bit holder head of the electric screwdriver into the circular orifice, push the end to press down, place it in the middle of the rotating shaft of the storage case, make the electrode contact with the charging pin, and then insert the Type-C charging cable into the charging mouth of the storage case for charging after turning on the power source.

Indicator light state

When the power is lower than 20% during operation, the red indicator light will flash quickly for 5 seconds, and then release the button, the light is off. Please charge in time.

While charging, the red indicator light presents a breathing lighting style.

When the power is full, the white indicator light always stays on.

This product is equipped with a USB charging cable, whose interface is Type-C general charging interface. The illustrations of products, accessories, user interface and so on in the instruction manual are schematic diagrams, which are only for reference. Due to the update and upgrade of the product, there may be some slight differences between the actual product and the schematic diagram. Products are subject to change.

03 Precautions

- Lift the lid of the storage case to the natural opening state, and the maximum opening angle is 110°. Please do not break it hard.
- Make sure that the electrified equipment is powered off while using this product.
- This product is not a toy, and children are forbidden to use it. The minimum recommended age for users is 16 years old.
- This product is specially used for precision repair. Please select the screwdriver bit matching the screw model during operation. Please be careful to avoid excessive force during manual operation, so as to prevent unnecessary damage to the screw or the screwdriver bit. The torque marked in the product parameters is the torque of the screwdriver, not that of the screwdriver bit.
- This product is specially used for precision repair. While using tools such as spudger and opening pick, please be careful to avoid excessive force during operation, so as to prevent unnecessary damage to tools or operation objects.

04 General Power Tool Safety Warnings

⚠ Warning! Read all safety warnings, instructions, illustrations and specifications provided with this power tool. Failure to follow all instructions listed below may result in electric shock, fire and/or serious injury.

Save all warnings and instructions for future reference.

The term “power tool” in the warnings refers to your mains-operated (corded) power tool or battery-operated (cordless) power tool.

Work area safety

- **Keep work area clean and well lit.** Cluttered or dark areas invite accidents.
- **Do not operate power tools in explosive atmospheres, such as in the presence of flammable liquids, gases or dust.** Power tools create sparks which may ignite the dust or fumes.
- **Keep children and bystanders away while operating a power tool.** Distractions can cause you to lose control.

Electrical safety

- **Power tool plugs must match the outlet. Never modify the plug in any way. Do not use any adapter plugs with earthed (grounded) power tools.** Unmodified plugs and matching outlets will reduce risk of electric shock.
- **Avoid body contact with earthed or grounded surfaces, such as pipes, radiators, ranges and refrigerators.** There is an increased risk of electric shock if your body is earthed or grounded.
- **Do not expose power tools to rain or wet conditions.** Water entering a power tool will increase the risk of electric shock.

- **Do not abuse the cord. Never use the cord for carrying, pulling or unplugging the power tool. Keep cord away from heat, oil, sharp edges or moving parts.** Damaged or entangled cords increase the risk of electric shock.
- **When operating a power tool outdoors, use an extension cord suitable for outdoor use.** Use of a cord suitable for outdoor use reduces the risk of electric shock.
- **If operating a power tool in a damp location is unavoidable, use a residual current device (RCD) protected supply.** Use of an RCD reduces the risk of electric shock.

Personal safety

- **Stay alert, watch what you are doing and use common sense when operating a power tool. Do not use a power tool while you are tired or under the influence of drugs, alcohol or medication.** A moment of inattention while operating power tools may result in serious personal injury.
- **Use personal protective equipment. Always wear eye protection.** Protective equipment such as a dust mask, non-skid safety shoes, hard hat or hearing protection used for appropriate conditions will reduce personal injuries.
- **Prevent unintentional starting. Ensure the switch is in the off-position before connecting to power source and/or battery pack, picking up or carrying the tool.** Carrying power tools with your finger on the switch or energising power tools that have the switch on invites accidents.
- **Remove any adjusting key or wrench before turning the power tool on.** A wrench or a key left attached to a rotating part of the power tool may result in personal injury.
- **Do not overreach. Keep proper footing and balance at all times.** This enables better control of the power tool in unexpected situations.
- **Dress properly. Do not wear loose clothing or jewellery. Keep your hair and clothing away from moving parts.** Loose clothes, jewellery or long hair can be caught in moving parts.

- **If devices are provided for the connection of dust extraction and collection facilities, ensure these are connected and properly used.** Use of dust collection can reduce dust-related hazards.
- **Do not let familiarity gained from frequent use of tools allow you to become complacent and ignore tool safety principles.** A careless action can cause severe injury within a fraction of a second.

Power tool use and care

- **Do not force the power tool. Use the correct power tool for your application.** The correct power tool will do the job better and safer at the rate for which it was designed.
- **Do not use the power tool if the switch does not turn it on and off.** Any power tool that cannot be controlled with the switch is dangerous and must be repaired.
- **Disconnect the plug from the power source and/or remove the battery pack, if detachable, from the power tool before making any adjustments, changing accessories, or storing power tools.** Such preventive safety measures reduce the risk of starting the power tool accidentally.
- **Store idle power tools out of the reach of children and do not allow persons unfamiliar with the power tool or these instructions to operate the power tool.** Power tools are dangerous in the hands of untrained users.
- **Maintain power tools and accessories. Check for misalignment or binding of moving parts, breakage of parts and any other condition that may affect the power tool's operation. If damaged, have the power tool repaired before use.** Many accidents are caused by poorly maintained power tools.

- **Use the power tool, accessories and tool bits etc. in accordance with these instructions, taking into account the working conditions and the work to be performed.** Use of the power tool for operations different from those intended could result in a hazardous situation.
- **Keep handles and grasping surfaces dry, clean and free from oil and grease.** Slippery handles and grasping surfaces do not allow for safe handling and control of the tool in unexpected situations.

Battery tool use and care

- **Recharge only with the charger specified by the manufacturer.** A charger that is suitable for one type of battery pack may create a risk of fire when used with another battery pack.
- **Use power tools only with specifically designated battery packs.** Use of any other battery packs may create a risk of injury and fire.
- **When battery pack is not in use, keep it away from other metal objects, like paper clips, coins, keys, nails, screws or other small metal objects, that can make a connection from one terminal to another.** Shorting the battery terminals together may cause burns or a fire.
- **Under abusive conditions, liquid may be ejected from the battery; avoid contact. If contact accidentally occurs, flush with water. If liquid contacts eyes, additionally seek medical help.** Liquid ejected from the battery may cause irritation or burns.
- **Do not use a battery pack or tool that is damaged or modified.** Damaged or modified batteries may exhibit unpredictable behavior resulting in fire, explosion or risk of injury.
- **Do not expose a battery pack or tool to fire or excessive temperature.** Exposure to fire or temperature above 130°C may cause explosion.

- **Follow all charging instructions and do not charge the battery pack or tool outside the temperature range specified in the instructions.** Charging improperly or at temperatures outside the specified range may damage the battery and increase the risk of fire.

Service

- **Have your power tool serviced by a qualified repair person using only identical replacement parts.** This will ensure that the safety of the power tool is maintained.
- **Never service damaged battery packs.** Service of battery packs should only be performed by the manufacturer or authorized service providers.

Safety instructions for all operations

- **Hold the power tool by insulated gripping surfaces, when performing an operation where the cutting accessory or fasteners may contact hidden wiring.** Cutting accessory contacting a “live” wire may make exposed metal parts of the power tool “live” and could give the operator an electric shock.

Safety warnings for battery pack

- Do not dismantle, open or shred cells or battery pack.
- Do not expose battery pack to heat or fire. Avoid storage in direct sunlight.
- Do not make the exposed terminal of the tool have a short circuit. Do not place multiple tools into the box or drawer at will, in order to avoid short circuit among them or by other metal objects.
- Do not subject battery pack to mechanical shock.
- In the event of battery leaking, do not allow the liquid to come into contact with the skin or eyes. If contact has been made, wash the affected area with copious amounts of water and seek medical advice.
- Do not use non-device special chargers.
- Keep tools away from children.
- Keep battery pack clean and dry.
- Wipe the battery pack terminals with a clean dry cloth if they become dirty.
- Battery pack needs to be charged before use. Always refer to this instruction and use the correct charging procedure.
- Do not maintain battery pack on charge when not in use.
- After extended periods of storage, it may be necessary to charge and discharge the battery pack several times to obtain maximum performance.
- Battery pack gives its best performance when it is operated at normal room temperature ($20\text{ }^{\circ}\text{C} \pm 5\text{ }^{\circ}\text{C}$).
- Retain the original product literature for future reference.
- Dispose of properly.

05 Troubleshooting

Faults	Reasons	Troubleshoot
Equipment does not work	The lithium battery runs low	Please charge the device in time
The screwdriver bit cannot be assembled.	The measurement of the screwdriver bit does not match with the sleeve.	Use C4 screwdriver bit
The surface of the screwdriver bit get stained by rust	High humidity in storage environment	Place in a dry environment and regularly rub a layer of anti-rust oil on the surface of the screwdriver bit
Screws or sliding teeth cannot be screwed during use	Electric maximum torque $0.2N \cdot m$	Manually tighten/loosen it Manual maximum torque $3N \cdot m$
Battery cannot be charged	The Type-C cable is not plugged in or the specified charging cable is not used	Check whether the charging indicator light is on, plug in the Type-C cable, and use the charging voltage specified in the product parameters.

06 Product Parameters

Product Name: HOTO Precision Screwdriver Kit Pro

Model: QWLSD012

Item Dimensions: $215.5 \times 121.8 \times 26.5$ mm

Net Weight: Approx. 640g

Color: Dark Gray

Parameters of the electric precision repair screwdriver

Measurement of the electric precision repair screwdriver: $159 \times \Phi 17$ mm

Net Weight: Approx. 63g

Electric Maximum Torque: $0.2\text{N} \cdot \text{m}$

Manual Maximum Torque: $3\text{N} \cdot \text{m}$

Input: $5\text{V} = 0.2\text{A}$

Rated Voltage: $3.7\text{V} =$

Battery Type: Lithium-ion battery

Battery Capacity: 350mAh

No-load Speed: 170r/min

Charging Time: Approx. 160min

Parameters of the screwdriver bit

Specification of the screwdriver bit:

C4×45mm

Material of the screwdriver bit: S2 steel

Cross type: PH0/PH1

Hex: H2.0

Slot type: SL2.0

Torx with hole: T8H/T10H

Specification of the screwdriver bit:

C4×28 mm

Material of the screwdriver bit: S2 steel

Cross type: PH000/PH00

Hex: H0.7/H0.9/H1.5

Slot type: SL1.5

Torx: T2/T3/T4

Torx with hole: T5H/T6H/ T9H

Pentagon: P2/P5

W type: W1.5

Y type: Y0.6

TW type: TW1

U type: U2.6

Triangle: 2.3

Pin: 0.8

Other accessories

Metal spudger×1:

175×5.5×5mm

Poined spudger×1:

155×6.6×5mm

Hook spudger×1:

153×6.6×5mm

Flexible pry tool×1:

122×26×5.6mm

Angled tweezers×1:

124×9.5×6mm

Blunt tweezers×1:

124×9.5×6mm

Suction cup×1: Ø 44×12mm

Plastic spudger×3:

83.5×9×5mm

Opening pick ×5:

38×36×0.8mm

Magnetic pad×1:

195×86×1.3mm


Anti-static wrist bands x 1: 1.8m

Charging cable×1:


500mm/Type-C

07 Regulatory Compliance Information

Europe — EU declaration of conformity

 We, Shanghai HOTO Technology Co., Ltd., hereby, declare that this equipment is in compliance with the applicable Directives and European Norms, and amendments.

Disposal and recycling information

 All products bearing this symbol are waste electrical and electronic equipment (WEEE as in directive 2012/19/EU) which should not be mixed with unsorted household waste. Instead, you should protect human health and the environment by handing over your waste equipment to a designated collection point for the recycling of waste electrical and electronic equipment, appointed by the government or local authorities. Correct disposal and recycling will help prevent potential negative consequences to the environment and human health. Please contact the installer or local authorities for more information about the location as well as terms and conditions of such collection points.

Federal Communications Commission Supplier's Declaration of Conformity

This supplier's declaration of conformity is hereby for

Product: HOTO Precision Screwdriver Kit Pro

Model Number(s): QWLSD012

Brand/Trade: HOTO

We declare that the above mentioned device has been tested and found in compliance with CFR 47 Part 15 Regulation.

This device complies with part 15 of the FCC Rules. Operation is subject to the following two conditions: (1) This device may not cause harmful interference, and (2) this device must accept any interference received, including interference that may cause undesired operation.

Note: This equipment has been tested and found to comply with the limits for a Class B digital device, pursuant to part 15 of the FCC Rules. These limits are designed to provide reasonable protection against harmful interference in a residential installation. This equipment generates, uses and can radiate radio frequency energy and, if not installed and used in accordance with the instructions, may cause harmful interference to radio communications. However, there is no guarantee that interference will not occur in a particular installation. If this equipment does cause harmful interference to radio or television reception, which can be determined by turning the equipment off and on, the user is encouraged to try to correct the interference by one or more of the following measures:

- Reorient or relocate the receiving antenna.
- Increase the separation between the equipment and receiver.
- Connect the equipment into an outlet on a circuit different from that to which the receiver is connected.
- Consult the dealer or an experienced radio/TV technician for help.

Representative of Responsible Party for SDoC

Company: HOTO (US) TECHNOLOGY CO LTD

Address: 919 North Market Street, Suite 950, Wilmington DE 19801

Country: U.S.A.

Customer Service(US): +1 855-577-2659

Mon-Fri 9:00am-5:00pm(CST)

Manufacturer: Shanghai HOTO Technology Co., Ltd.

Address: Building 45, No.50 Moganshan Road, Shanghai, China

DECLARATION OF CONFORMITY



EU Declaration of Conformity

We

Shanghai HOTO Technology Co., Ltd.

Declare that the product:

HOTO Precision Screwdriver Kit Pro / QWLSD012

Complies with the essential health and safety requirements of the following directives:

2014/30/EU Electromagnetic Compatibility directive References to the following harmonized standard were made:

EN55014-1: 2021

EN55014-2: 2021

EN IEC 61000-3-2:2019+A1:2021

EN 61000-3-3:2013+A2:2021

2011/65/EU+ (EU) 2015/863 Restrictions of the Use of Certain Hazardous Substances in Electrical and Electronic Equipment
Authorised signatory and technical file holder:

Shanghai HOTO Technology Co., Ltd.

Building 45, No.50 Moganshan Road Shanghai, China.

Designed by **HOTO**