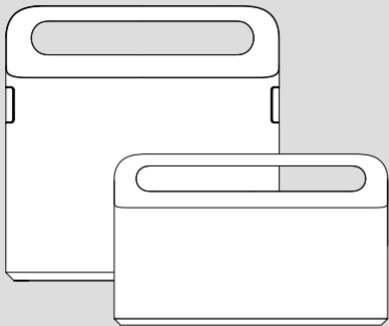


# HOTO Tool Kit Series



**Make It  
Happen**



Visit our website for more Cool Tools  
( [www.hototools.com](http://www.hototools.com) )

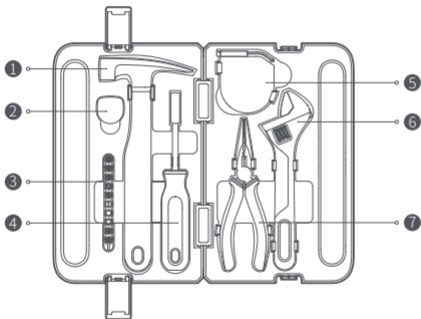
This manual applies to the hand tools in HOTO Household Tool Kit, HOTO Electric Screwdriver Kit, and HOTO 12V Brushless Drill Kit.

## Product Overview

---

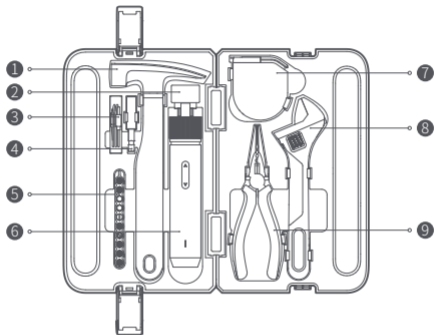
Please read this manual carefully before using the product and keep it for future reference.

### HOTO Household Tool Kit



- |                     |                                  |                                      |
|---------------------|----------------------------------|--------------------------------------|
| 1 Claw Hammer       | 4 Multifunctional Screwdriver    | 7 Multifunctional Needle-Nose Pliers |
| 2 Rubber Hammer Cap | 5 HOTO Self-locking Tape Measure |                                      |
| 3 Bits Set          | 6 Adjustable Wrench              |                                      |

## HOTO Electric Screwdriver Kit



1 Claw Hammer

2 Rubber Hammer Cap

3 Charging Cable

4 Bit Extension

5 Bits Set

6 HOTO 3.6V Cordless Screwdriver

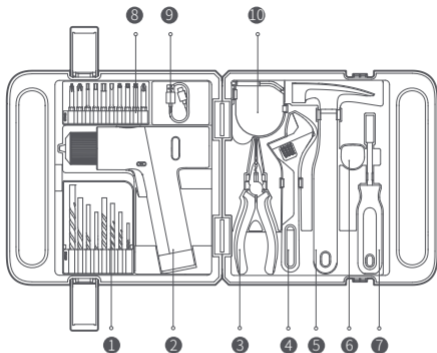
7 HOTO Self-locking Tape Measure

8 Adjustable Wrench

9 Multifunctional Needle-Nose Pliers

See the manual of HOTO 3.6V Cordless Screwdriver for details of the use instructions of the HOTO 3.6V Cordless Screwdriver.

## HOTO 12V Brushless Drill Kit



- |                                      |                               |                                   |
|--------------------------------------|-------------------------------|-----------------------------------|
| 1 Drill Bit                          | 5 Claw Hammer                 | 9 Charging Cable                  |
| 2 HOTO 12V Brushless Drill           | 6 Rubber Hammer Cap           | 10 HOTO Self-locking Tape Measure |
| 3 Multifunctional Needle-Nose Pliers | 7 Multifunctional Screwdriver |                                   |
| 4 Adjustable Wrench                  | 8 Bits Set                    |                                   |

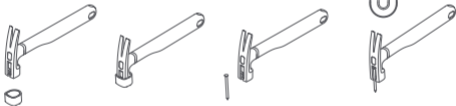
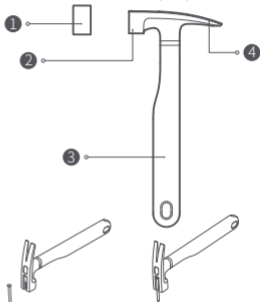
See the manual of HOTO 12V Brushless Electric Drill for details of the use instructions of the brushless electric drill.

# How to Use

## Claw Hammer

Claw hammer: The flat side of the hammer head is the striking face. It can be used for striking hard objects. It features a built-in magnetic nail starter to make it easy and safe to drive a nail. The V-shaped claw on the other side is for extracting nails. A rubber hammer cap is provided. It is recommended to install the rubber cap to prevent the surface from scratch when hammering.

- 1 Rubber Hammer Cap
- 2 Striking Face
- 3 Hammer Handle
- 4 V-shaped Claw



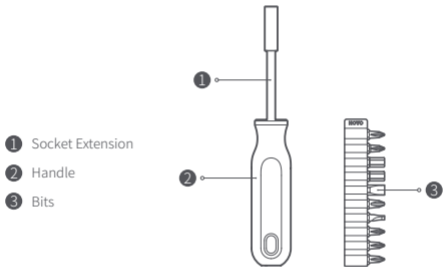
### Notes

- Strike a hammer blow with the striking face parallel to the surface being struck.
- Do not strike one hammer with another.
- Do not use it when the hammer head is loose.
- Do not use it when the hammer handle is damaged.
- Do not use the rubber hammer cap for nail driving.



## Multifunctional Screwdriver

Multifunctional Screwdriver: With a built-in magnet, the socket extension can magnetically hold C6.3 bits. It can also be attached to a variety of bits. The HOTO household tool kit is equipped with 10 pcs of bits for various screw tightening and removing scenarios.

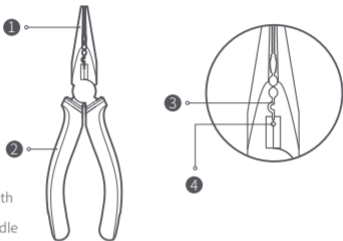


### Notes

- The multifunctional screwdriver uses C6.3 bits. Please use bits of proper specification.
- Ensure the screwdriver be operated vertically against the workpiece.
- Do not use the screwdriver as a crowbar or a chisel.
- Do not use the screwdrive for electrical work.

## Multifunctional Needle-Nose Pliers

Multifunctional Needle-nose Pliers: It can be used to clamp and fix workpieces; twist, bend and cut metal wires; strip wires; crimp terminals, etc. It is equipped with a labor-saving spring and has a self-resetting function, making it easy to use.



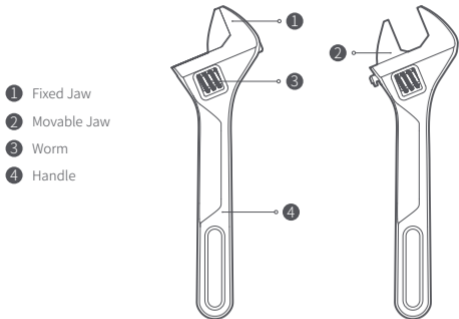
- ① Pliers Mouth
- ② Pliers Handle
- ③ Crimping Groove
- ④ Stripping Groove

### Notes

- Please wear protective goggles when cutting or tightening wires.
- Do not use the multifunctional needle-nose pliers as a hammer.
- Please take proper care of the pliers and lubricate the hinges.
- Do not use the pliers for electrical work.

## Adjustable Wrench

Adjustable Wrench: 200 mm(7.87 in) long, it can be used to tighten or loose hexagon bolts or nuts. Turn the worm to adjust the width between the two jaws to clamp the nuts. This wrench applies to hexagon bolts and nuts  $\leq 20$  mm(0.79 in).

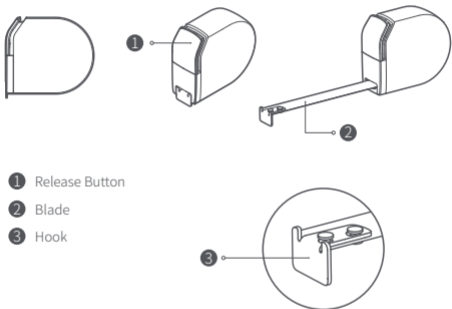


### Notes

- When operating, the width between the two jaws must be adjusted accurately to fit the nut.
- The wrench and the nut must be kept horizontal to prevent slippage. Do not strike hard objects with the wrench.
- To avoid damaging the wrench, do not attempt to increase the pulling leverage by adding an extension bar or pipe to the wrench handle.

## HOTO Self-locking Tape Measure

HOTO Self-locking Tape Measure: The auto-lock tape measure enables a convenient and safe operation. Pull out the blade and start measuring. The auto-lock functions allows the blade to keep extended until you press the release button, which then allows it to retract easily.



### Notes

- The maximum measuring range is 3 m(118.11 in). Do not pull out the blade beyond the range.
- Do not touch the edge of the blade during retraction to prevent cuts.
- Do not grasp the blade to prevent cuts.
- Do not use the tape measure if the blade is broken or torn.

# Specifications

---

Name: HOTO Household Tool Kit

Model: QWSGJ002

Item Dimensions: 70×168×268 mm  
(2.75×6.61×10.55 in)

Net Weight: Approx.1710 g(3.77 lb)

Bit Specification: C6.3×25 mm(1 in)

Philips: PH1/PH2

Hex: PZ2

Torx: T25

Inner Hex: H3/H4/H5

Flat blade: SL5

Triangular: 2.3

TW Type: TW1

Name	Dimensions
Claw Hammer	24×105×240mm 0.94×4.13×9.45 in
Multifunctional Screwdriver	Φ30×198mm Φ1.18×7.79 in
Bits	C6.3×25mm / C6.3×1 in
Multifunctional Needle-Nose Pliers	15.6×55×169mm 0.61×2.16×6.65 in
Adjustable Wrench	13.6×56.5×200mm 0.53×2.22×7.87 in
HOTO Self-locking Tape Measure	26.8×60×70mm 1.05×2.36×2.75 in
HOTO Household Tool Kit	70×168×268mm 2.75×6.61×10.55 in

Name: HOTO Electric Screwdriver Kit  
 Model: QWDGJ001  
 Item Dimensions: 70×168×268 mm  
 (2.75×6.61×10.55 in)  
 Net Weight: Approx.1860g(4.10 lb)  
 Bit Specification: C6.3×25 mm(1 in)

Philips: PH1/PH2  
 Hex: PZ2  
 Torx: T25  
 Inner Hex: H3/H4/H5  
 Flat blade: SL5  
 Triangular: 2.3  
 TW Type: TW1

Name	Dimensions
HOTO 3.6V Cordless Screwdriver	178.8×34×35mm 7.04×1.34×1.36 in
Charging Cable	300mm/11.81 in
Bit Extension	60mm/2.36 in
Claw Hammer	24×105×240mm 0.94×4.13×9.45 in
Bits	C6.3×25mm C6.3×1 in
Multifunctional Needle-Nose Pliers	15.6×55×169mm 0.61×2.16×6.65 in
Adjustable Wrench	13.6×56.5×200mm 0.53×2.22×7.87 in
HOTO Self-locking Tape Measure	26.8×60×70mm 1.05×2.36×2.75 in
HOTO Electric Screwdriver Kit	70×168×268mm 2.75×6.61×10.55 in

Name: HOTO 12V Brushless Drill Kit  
Item Dimensions: 91×268×270 mm  
(3.58×10.55×10.63 in)

Model: QWDZGJ001  
Net Weight: Approx.3400g  
(7.49 lb)

See the manual of HOTO 12V Brushless Electric Drill for details of the bit specification and drill specification.

Name	Dimensions
HOTO 12V Brushless Drill	54×180×185mm 2.13×7.09×7.28 in
Charging Cable	300mm/11.81 in
Drill Bit	Metal Drill: 3/4/5/6mm Wood Drill: 4/5/6/7mm Metal Drill: 0.12/0.16/0.20/0.24 in Wood Drill: 0.16/0.20/0.24/0.28 in
Claw Hammer	24×105×240mm 0.94×4.13×9.45 in
Bits	C6.3×50mm C6.3×2 in
Multifunctional Screwdriver	Φ30×198mm Φ1.18×7.79 in
Multifunctional Needle-Nose Pliers	15.6×55×169mm 0.61×2.16×6.65 in
Adjustable Wrench	13.6×56.5×200mm 0.53×2.22×7.87 in
HOTO Self-locking Tape Measure	26.8×60×70mm 1.05×2.36×2.75 in
HOTO 12V Brushless Drill Kit	91×268×270mm 3.58×10.55×10.63 in

Manufacturer: Shanghai HOTO Technology Co., Ltd.

Address: Building 45, No.50 Moganshan Road, Shanghai, China

Designed by **HOTO**