



STUDIO BAGNO



CLEANMAX
ANTI-BACTERIAL
SELF CLEANING GLAZE



IMPERO WALL FACED PAN

STYLE

Wall Faced Pan

CODE

IMP002 - White Seat
IMP002/BS - Black Seat

WEIGHT

25 kg

COLOURS

White

INCLUSIONS

Complete with soft closing seat and universal connector.

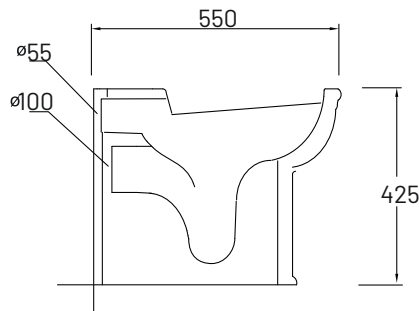
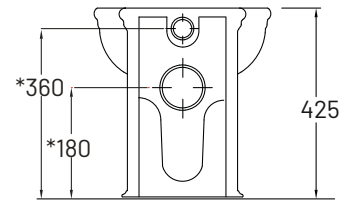
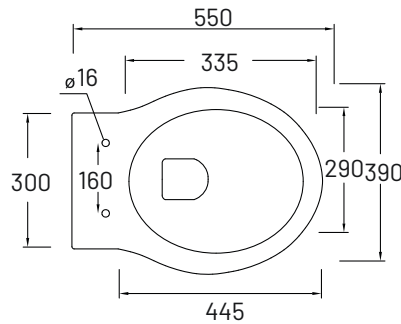
Rimless Flush

Notes

Set out 120 mm (S-Trap)
Suitable for S-Trap or P-Trap Installation.

Cleanmax nanotech anti-bacterial surface technology.

Available with black soft close seat (+\$149 Inc GST)

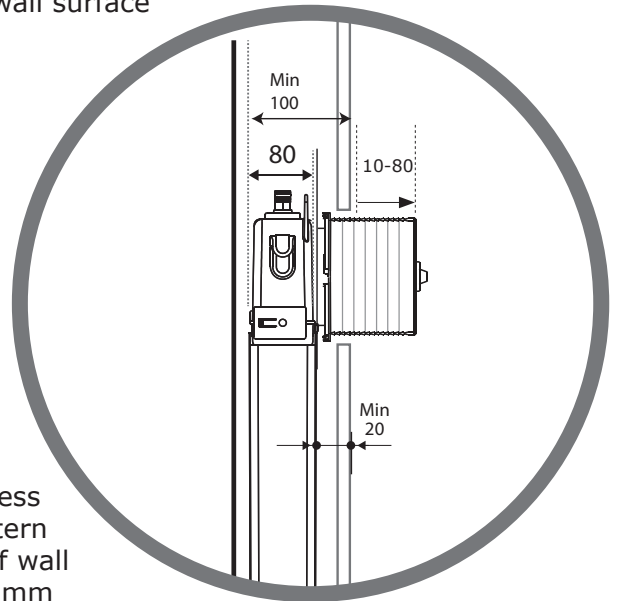


Note: All dimensions are in millimetres and subject to normal manufacturing variance. Studio Bagno Pty Ltd reserves the right to vary specifications at any time without notice. Date created: 25/11/21



Minimum of 100mm from rear of cistern to front edge of finished wall surface

Min. projection of 10mm - Max. projection of 80mm of tile flange box required prior to trimming to accommodate actuator.



NOTE
See next page for compatible actuators

Minimum thickness from front of cistern to the front face of wall to be at least 20mm

Oli-74 IN-WALL CISTERN

STYLE

In Wall Cistern

CODE

601602/MC
(if used with mechanical actuators)

601602/PN
(if used with pneumatic actuators)

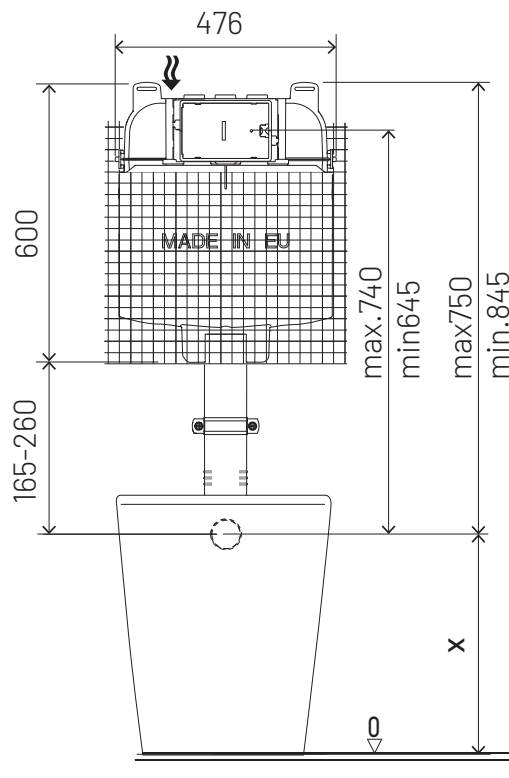
WEIGHT

3.5 kg

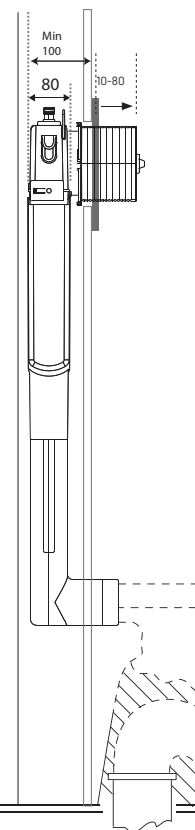
FEATURES

- Front access only
- Dual flush in-wall cistern with 4.5/3 litre flush
- 80mm min. wall cavity requirement
- 10 Year Warranty
- Manufactured in Europe
- Mechanical actuator kit included

Front View



Side View



WELS RATING



COMPATIBLE ACTUATORS

Oli 74
IN-WALL CISTERN

Cistern Code by Actuator



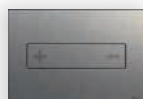
GLAM

601602/MC



GLOBE

601602/MC



OCEANIA

601602/MC



OCEANIA MIA

601602/MC



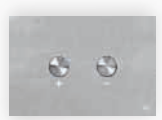
PLAIN

601602/MC



SLIM

601602/MC



BLINK

601602/PN



TREND

601602/PN



SPHERA +

601602/PN



SPHERA -

601602/PN



KARISMA

601602/PN