

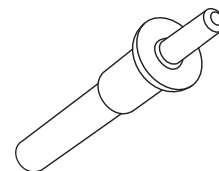
IMPORTANT SAFEGUARDS

Read all instructions

- To protect against risk of electrical shock, do not place blender base or power supply cord in water or in any other liquid.
- This appliance is not intended for use by persons (including children) with reduced physical, sensory, or mental capabilities, or lack of experience and knowledge, unless they are closely supervised and instructed concerning use of the appliance by a person responsible for their safety. Close supervision is necessary when any appliance is used by or near children. Children should be supervised to ensure that they do not play with the appliance.
- Turn the appliance OFF, then unplug from the outlet when not in use, before assembling or disassembling parts and before cleaning. To unplug, grasp the plug and pull from the outlet. Never pull from the power cord.
- Avoid touching moving parts.
- Do not operate the appliance with a damaged cord or plug, or after the appliance malfunctions or is dropped or damaged in any manner.
- Return appliance to nearest authorized service facility for examination, repair, or electrical or mechanical adjustment.
- Do not use outdoors. This appliance is for indoor and household use only.
- Do not let cord hang over the edge of the table or counter.
- Keep hands and utensils, other than the tamper provided, out of container while blending to reduce the risk of severe injury to persons or damage to the blender. The cover must remain in place when using the tamper through the cover opening. A scraper may be used but must be used only when the blender is not running.
- Blades are sharp. Handle carefully.
- To reduce risk of injury, never place cutting blade assembly on base without ensuring the jar is properly attached; never remove the jar during operation.
- Always operate the blender with the lid in place.
- The use of attachments, including canning jars, not recommended by the manufacturer may cause a risk of injury to persons.
- **Jar should not be more than 2/3 full when blending or when mixing rod is left in place. Mixing rod(tamper tool) must ONLY be used through the hole in the lid when blender is in operation.**

- Over-processing will cause the mixture to overheat.
- Ensure the blender on a flat, level, stable and dry surface prior to operation.
- Always ensure that the jar is properly seated in position and the jar lid is properly fitted and secured before switching on the blender.
- Ensure that the lid is located under raised projections on the jar before switching on. The lid can only be removed when the blender is OFF and the cutting unit has ceased turning.
- Never leave the blender unattended when in use.
- Be careful if hot liquid is poured into the blender as it can be ejected out of the appliance due to a sudden steaming.

Warning:



Mixing rod(tamper tool) must ONLY be used through the hole in the lid when blender is in operation.

SAVE THESE INSTRUCTIONS

JTC
OmniBlend

**USER'S
MANUAL**

**HEAVY DUTY
PROFESSIONAL
BLENDER**

MODEL: TM-800

POWER

Quickly purées and blends even the toughest ingredients

DURABILITY

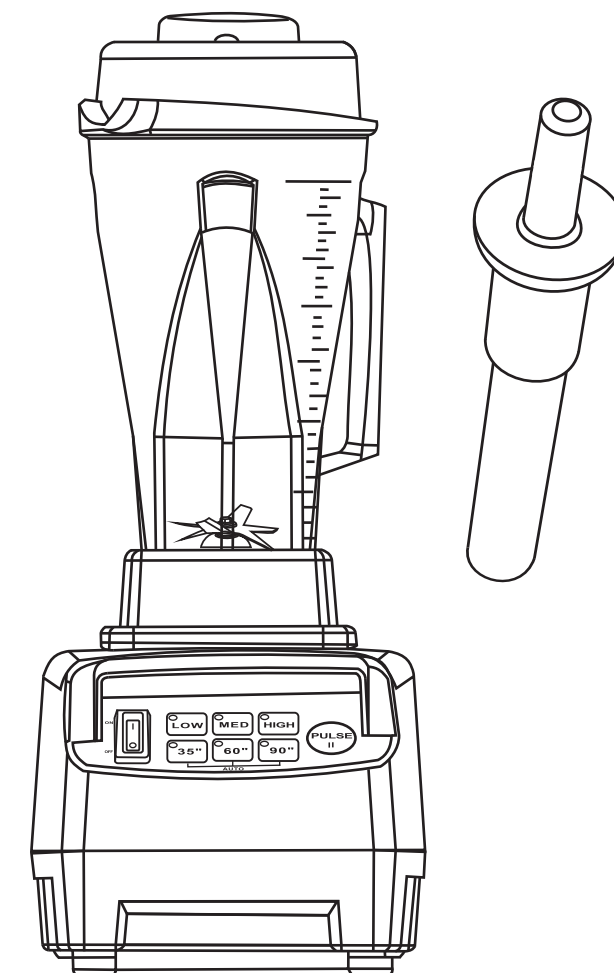
Rugged construction designed to outlast other blenders 5 to 1

VERSATILITY

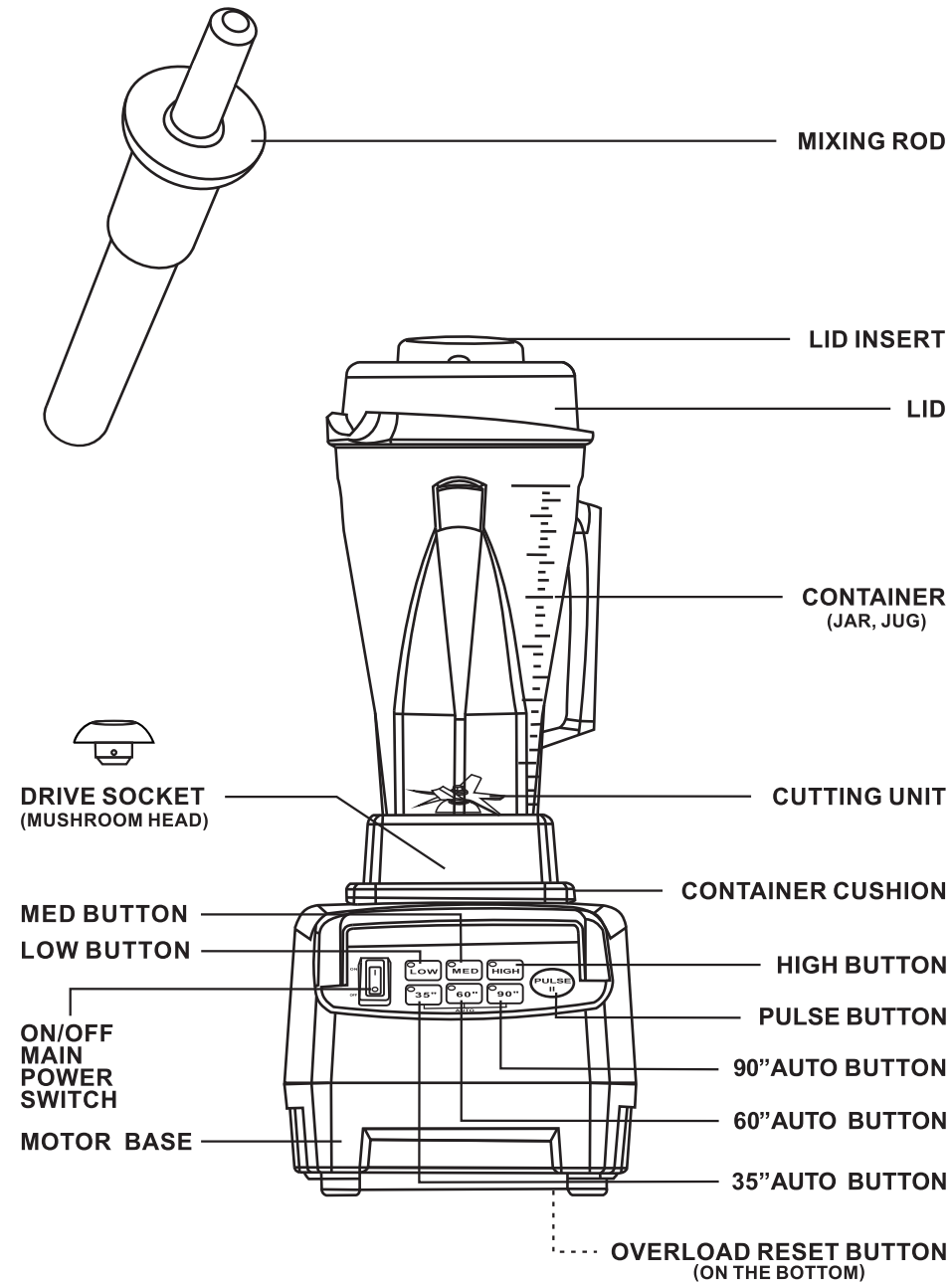
Speed control allows you to purée, blend, chop or grind

AUTOMATIC

Pre-programmed cycles saves your time, just one touch for easy operation.



PARTS & FUNCTIONS



QUICK OPERATING (Quick Start Guide)

1. Insert the power plug into an electrical outlet.
2. Turn on the main power switch. (**On/Off** switch)
3. Properly fill and place the blender jar on the base, making sure the jar fits securely and the lid is tightly attached.
4. Manual operation: select **HIGH, MED, LOW**, (these selections will cause the blender to blend continuously at the predetermined speed) or **PULSE** (PULSE is the fastest speed when pressing the switch and holding down as needed).
5. Automatic cycle operation: press **35"**, **60"**, or **90"** for automatic blend and shut off. Automatic blending cycles will blend at various speeds for a predetermined period of time, perfect for a quick smoothie or iced drinks, predominantly in a busy commercial environment.
6. There is a red LED display during the cycle, and a long beep signals at the end of the automatic cycle.

NOTE: To stop the operation at any time, press any button.

OPERATING INSTRUCTIONS

1. Operate blender on a flat, clean, and dry surface.
2. Never operate the blender when the jug is empty.
3. Do not attempt to remove or replace the jug while the motor is running.
4. Never run motor while jug is not in place.
5. Wipe water off of the cushion before operation, Any water present could be pulled in and will cause damage to the motor!
6. Make sure the drive shaft on the jug is fully engaged into the drive socket and that the blade is firmly affixed to the drive shaft.
7. This blender is a high-speed unit. Blending times are much faster than those of other blenders, but extended use will heat up the contents of the blender.
8. If drink has mixed well but not blended completely, press PULSE for extra blending time or choose a longer automatic cycle.
9. Always add some liquid to crush ice cubes.

CLEANING

Warning: Unplug the power cord to ensure safety.

1. Place a little warm water with a small amount of detergent into the jar. Attach lid and switch blender on for approximately 10 seconds. This will remove almost all residue. Empty jar, rinse, and leave upturned to dry. Do not clean inside of jar by hand unless cutting unit has been removed.
2. To remove or replace cutting unit, simply turn the retaining ring (bottom plate) at the bottom of the jar counter-clockwise. Each and every part of the blade assembly itself including o-ring, fastener & blades can be separated from the whole assembly for thorough cleaning.

Warning: Blades are sharp, handle carefully.
3. To clean motor base, use a slightly damp cloth only. Never immerse motor base in water.
4. To extend the lifespan of the cutting unit, please do not immerse the jug in water or leave water in the jug for a long period of time. Following this precaution will help to prevent rusting of the ball bearing by reducing its potential contact with water to a minimum.

TROUBLESHOOTING

Warning: Unplug the power cord to ensure safety.

1. This blender is fitted with a safety overload switch at the bottom of the machine. If the motor overloads, the power will be automatically cut to ensure safety. Please check and remove unsuitable blending ingredients, then press the reset button (on the bottom) to start again.
2. Ensure that the power cord is correctly connected to the blender.
3. If the blender still does not function correctly, contact and consult your nearest distributor and refer to the warranty card. Do not attempt to disassemble and repair it on your own.
4. If the power cord is damaged, it must be replaced or repaired by a qualified electrician or engineer to avoid hazard.
5. After long-term use, the cutting unit will wear down and require replacement. Contact your store of purchase, nearest distributor, or one of our after-service centers. **Warning: Blades are sharp, handle carefully.**