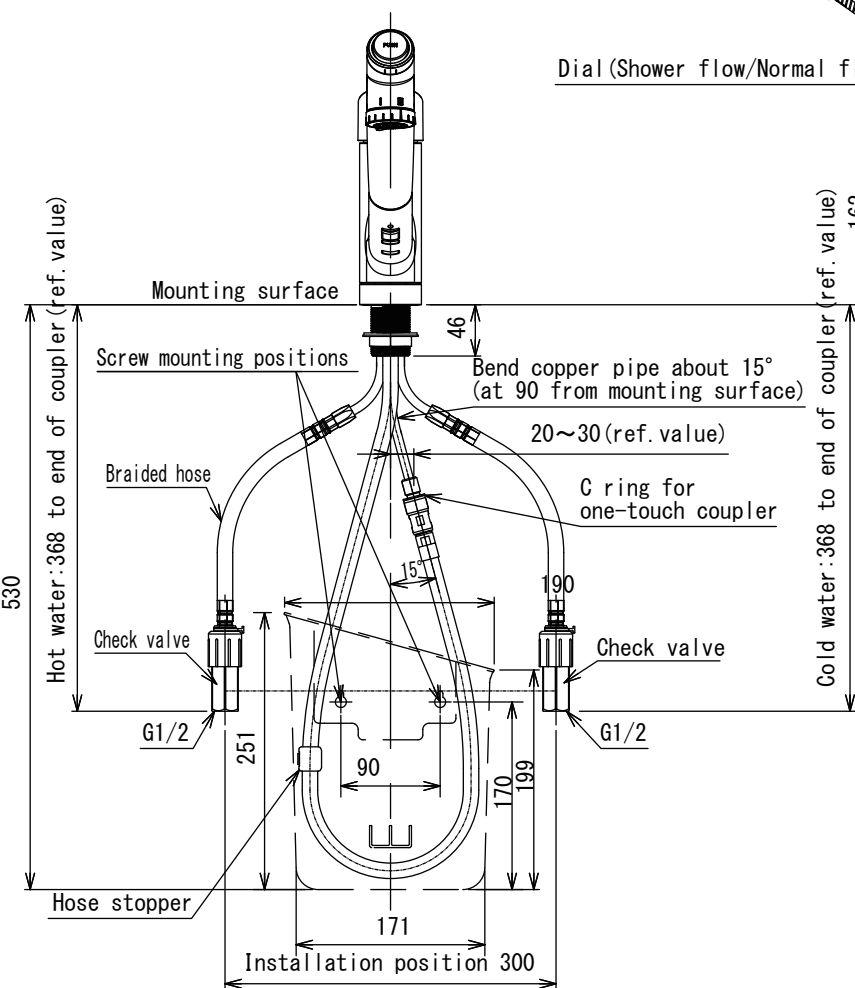
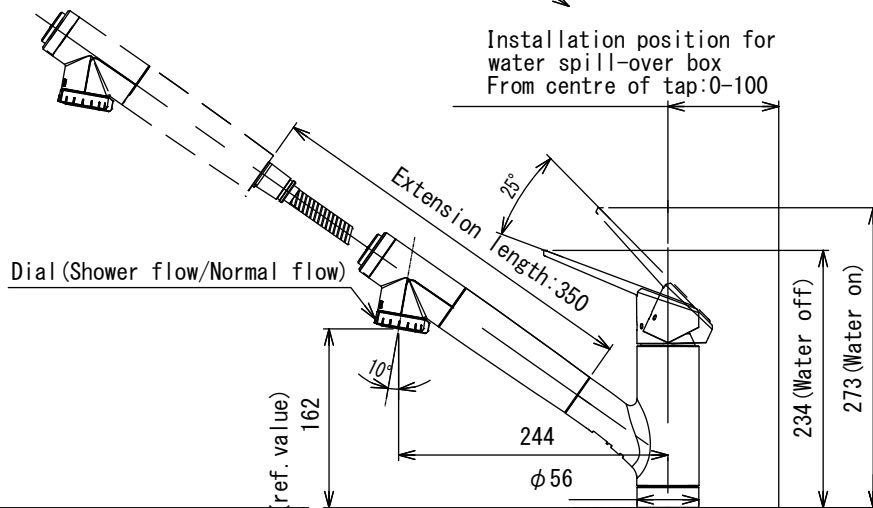
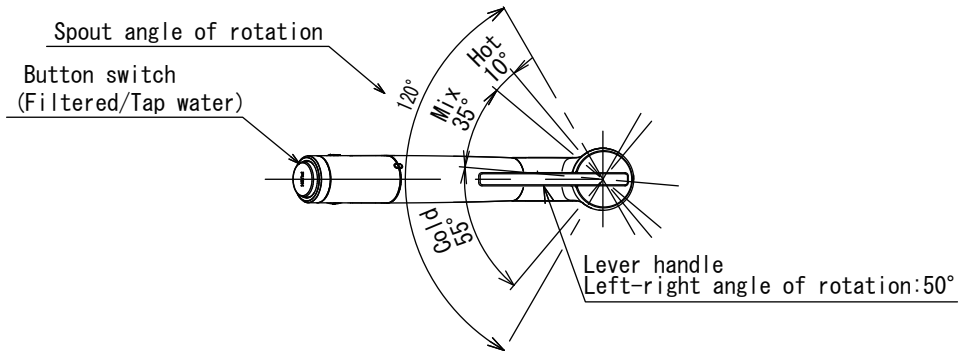


(Units:mm)



Mounting hole diameter: φ35-φ39

