



# LN4

## LINE TRIMMER KIT

**NOTE:** Battery and charger may not be included with your purchase. Please refer to your product's online listing to know what is included.



## User Manual

[Revision 2.0]

**THE BATTERY MAY HAVE SOME CHARGE ON ARRIVAL, IT IS IMPORTANT HOWEVER THAT THE BATTERY IS CHARGED PRIOR TO USE.**

READ THIS MANUAL CAREFULLY BEFORE USE – FAILURE TO DO SO MAY RESULT IN INJURY, PROPERTY DAMAGE AND MAY VOID WARRANTY. • KEEP THIS MANUAL FOR FUTURE REFERENCE. • Products covered by this manual may vary in appearance, assembly, inclusions, specifications, description, and packaging.

# Safety

Safety messages are designed to alert you to possible dangers or hazards that could cause death, injury or equipment or property damage if not understood or followed. Safety messages have the following symbols:



You **WILL** be **KILLED** or **SERIOUSLY INJURED** if you do not follow instructions.



You **CAN** be **KILLED** or **SERIOUSLY INJURED** if you do not follow instructions.



You **CAN** be **INJURED** if you do not follow instructions or equipment damage may occur.

It is vital that you read and understand this user manual before using the product, including safety warnings, and any assembly and operating instructions. Keep the manual for future reference.

Safety precautions and recommendations detailed here must be fully understood and followed to reduce the risk of injury, fire, explosion, electrical hazard, and/or property damage.

Safety information presented here is generic in nature – some advice may not be applicable to every product. The term "equipment" refers to the product, be it electrical mains powered, battery powered or combustion engine powered.

- **Before Use** - If you are not familiar with the safe operation/handling of the equipment or are in any way unsure of any aspect of suitability or correct use for your application, you should complete training conducted by a person or organization qualified in safe use and operation of this equipment, including fuel/electrical handling and safety.
- Do NOT operate the equipment in flammable or explosive environments, such as in the presence of flammable liquids, gases, or dust. The equipment may create sparks or heat that may ignite flammable substances.
- Keep clear of moving parts.
- Equipment may be a potential source of electric shock or injury if misused.
- Do NOT operate the equipment if it is damaged, malfunctioning or is in an excessively worn state.
- Do NOT allow others to use the equipment unless they have read this manual and are adequately trained.
- Keep packaging away from children - risk of suffocation! Operators must use the equipment correctly. When using the equipment, consider conditions and pay due care to persons and property.

### General Work Area Safety

- Work areas should be clean and well lit.
- Do not operate the equipment if bystanders, animals etc are within operating range of the equipment or the general work area.
- If devices are provided for connecting dust extraction / collection facilities, ensure these are connected and used properly. Dust collection can reduce dust-related hazards.

### General Personal Safety

- Wear appropriate protective equipment when operating, servicing, or when in the operating area of the equipment to help protect from eye and ear injury, poisoning, burns, cutting and crush injuries. Protective equipment such as safety goggles, respirators, non-slip safety footwear, hard hat, hearing protection etc should be used for appropriate equipment / conditions. Other people nearby should also wear appropriate personal protective equipment. Do not wear loose clothing or jewellery, which can be caught in moving parts. Keep hair and clothing away from the equipment.
- Stay alert and use common sense when operating the equipment. Do not over-reach. Always maintain secure footing and balance.
- Do not use the equipment if tired or under the influence of drugs, alcohol, or medication.
- This equipment is not intended for use by persons with reduced physical, sensory, or mental capabilities.

### General Fuel Safety

- Petrol/fuel/gasoline is extremely flammable – keep clear of naked flames or other ignition sources.
- Do not spill fuel. If you spill fuel, wipe it off the equipment immediately – if fuel gets on your clothing, change clothing.
- Do NOT smoke near fuel or when refuelling.
- Always shut off the engine before refuelling.
- Do NOT refuel a hot engine.
- Open the fuel cap carefully to allow any pressure build-up in the tank to release slowly.
- Always refuel in well-ventilated areas.
- Always check for fuel leakage. If fuel leakage is found, do not start, or run the engine until all leaks are fixed.

### General Carbon-Monoxide Safety

- Using a combustion engine indoors **CAN KILL IN MINUTES**. Engine exhaust contains carbon-monoxide – a poison you cannot smell or see.
- Use combustion engines **OUTSIDE** only, and far away from windows, doors, and vents.

### General Equipment Use and Care

- Keep packaging away from children and pets, potential risk of suffocation or choking.
- The equipment is designed for domestic use only.
- Handle the equipment safely and carefully.
- Before use, inspect the equipment for misalignment or binding of moving parts, loose components, damage, or any other condition that may affect its operation. If damaged, have the equipment repaired by an authorised service centre or technician before use.
- Prevent unintentional starting of the equipment - ensure equipment and power switches are in the OFF position before connecting or moving equipment. Do not carry equipment with hands or fingers touching any controls. Remove any tools or other items that are not a part of the equipment from it before starting or switching on.
- Do not force the equipment. Use the correct equipment for your application. Equipment will perform better and be safer when used within its design and usage parameters.
- Use the equipment and accessories etc. in accordance with these instructions, considering working conditions and the work to be performed. Using the equipment for operations different from those intended could result in hazardous situations.
- Always keep equipment components (engines, hoses, handles, controls, frames, housings, guards etc) and accessories (cutting tools, nozzles, bits etc) properly maintained. Keep the equipment clean and, where applicable, properly lubricated.
- Store the equipment out of reach of children or untrained persons. To avoid burns or fire hazards, let the equipment cool completely before transporting or storing. Never place or store the equipment near flammable materials, combustible gases, or liquids etc.
- The equipment is not weather-proof, and should not be stored in direct sunlight, at high ambient temperatures or locations that are damp or humid.
- Do not clean equipment with solvents, flammable liquids, or harsh abrasives.
- For specific equipment safety use and care, see Equipment Safety.

## LN4 Line Trimmer Kit

### General Electrical Safety

- Inspect electrical equipment, extension cords, power bars, and electrical fittings for damage or wear before each use. Repair or replace damaged equipment immediately.
- Ensure all power sources conform to equipment voltage requirements and are disconnected before connecting or disconnecting equipment.
- When wiring electrically powered equipment, follow all electrical and safety codes.
- Always use a Residual Current Device (RCD) (GFCI) / Earth Leakage Circuit Breaker / Safety Switch when operating this item (electrical items only).
- High voltage / high current power lines may be present. Use extreme caution to avoid contact or interference with power lines. Electrical shock can be fatal.

### General Electrical Safety

- Electrically grounded equipment must have an approved cord and plug and be connected to a grounded electrical outlet.
- Do NOT bypass the ON/OFF switch and operate equipment by connecting and disconnecting the electrical cord.
- Do NOT use equipment that has exposed wiring, damaged switches, covers or guards.
- Do NOT use electrical equipment in wet conditions or in damp locations.
- Do NOT use electrical cords to lift, move or carry equipment.
- Do NOT coil or knot electrical cords, and ensure electrical cords are not trip hazards.

### General Service Information

- The equipment must be serviced or repaired at authorised service centres by qualified personnel only.
- Replacement parts must be original equipment manufacturer (OEM) to ensure equipment safety is maintained.
- Do NOT attempt any maintenance or repair work not described in this manual.
- After use, the equipment and components may still be hot – allow the equipment to cool and disconnect spark plugs and/or electrical power sources and/or batteries from it before adjusting, changing accessories, or performing repair or maintenance.
- Do NOT adjust while the equipment is running.
- Perform service-related activities in suitable conditions, such as a workshop.
- Replace worn, damaged or missing warning/safety labels immediately.

### Child Choking Hazard!



• **WARNING: CHOKING HAZARD - CHILDREN UNDER 8 YRS. CAN CHOKE OR SUFFOCATE ON SMALL PARTS. ADULT SUPERVISION REQUIRED.**

- Carefully inspect anything a baby or child could gain access to, including this product & packaging.
- Dangers include anything of a size that could become stuck or lodged in a baby or child's airway.
- Dangers include things like raw, hard fruit and vegetable pieces, large pieces of meat, bones or sausage skins, popcorn, nuts, hard lollies and corn chips, small magnets and batteries, coins, beads, marbles and small uninflated balloons, broken toys and smaller toys, buttons, keys, and coins. But there are also many more.
- Pay particular attention to accessories, nuts, bolts, screws, washers, caps, covers, loose parts, parts that could be removed or break off, pieces of packaging, staples, tape etc.
- In the case of any doubt, secure the item of concern in an appropriate manner, or completely remove the possibility of access by a baby or child.

### HAZARDOUS COMPONENTS!

- **BE AWARE THAT THE EQUIPMENT MAY INCLUDE HAZARDOUS COMPONENTS, SUCH AS BLADES, HOT SURFACES AND MOVING PARTS.**
- **MOVING BLADES CAN CAUSE SERIOUS INJURY AND EVEN DEATH IF USED IMPROPERLY OR WITHOUT SUFFICIENT PPE.**
- **DO NOT USE THIS EQUIPMENT ON UNEVEN SURFACES AND ALWAYS MAINTAIN GOOD BALANCE WHEN USING THIS EQUIPMENT. FAILURE TO DO SO MAY CAUSE SERIOUS INJURY.**
- **MAINTAIN A SECURE GRIP OF THE TRIGGER ASSEMBLY AT ALL TIMES.**

### Line Trimmer Safety

- **WARNING: ONLY USE THE AUTHORIZED BATTERY CARTRIDGES AND CHARGERS. USE OF ANY OTHER BATTERY CARTRIDGES AND CHARGERS MAY CAUSE INJURY AND/OR FIRE.**
- **WARNING: DO NOT USE A CORDED POWER SUPPLY SUCH AS A BATTERY ADAPTER OR PORTABLE POWER PACK. THE CABLE OF SUCH POWER SUPPLY MAY HINDER THE OPERATION AND RESULT IN PERSONAL INJURY.**
- NOTE: The declared noise emission value(s) has been measured in accordance with a standard test method and may be used for comparing one tool with another.
- NOTE: The declared noise emission value(s) may also be used in a preliminary assessment of exposure.
- NOTE: The declared vibration total value(s) has been measured in accordance with a standard test method and may be used for comparing one tool with another.
- NOTE: The declared vibration total value(s) may also be used in a preliminary assessment of exposure.

### Intended Use

- The cordless lawn trimmer/edge trimmer is intended to be used only by adults who have read and understood the instructions and warnings in this manual and can be considered responsible for their actions.
- The product is only intended for use outdoors in a well-ventilated area. For safety reasons, the product must be adequately controlled using two-handed operation.
- When fitted with the lawn trimmer head (and appropriate guard), the product is intended for cutting long grass, pulpy weed, and similar vegetation at or near ground level. The cutting plane should be approximately parallel to the ground surface when trimming and approximately vertical when edging.
- The product should not be used to cut or trim hedges, bushes, or other vegetation where the cutting plane is not parallel to the ground surface.
- Do not use the product for any other purpose.

### General Safety Warnings

- **WARNING:** READ ALL SAFETY WARNINGS AND INSTRUCTIONS. FAILURE TO FOLLOW THE WARNINGS AND INSTRUCTIONS MAY RESULT IN ELECTRIC SHOCK, FIRE, AND/OR SERIOUS INJURY.
- **WARNING:** WHEN USING THE PRODUCT, THE SAFETY RULES MUST BE FOLLOWED. FOR YOUR OWN SAFETY AND THAT OF BYSTANDERS, PLEASE READ THESE INSTRUCTIONS BEFORE OPERATING THE PRODUCT. KEEP THE INSTRUCTIONS SAFE FOR LATER USE.
- **WARNING:** THIS PRODUCT IS NOT INTENDED TO BE USED BY CHILDREN OR PERSONS WITH REDUCED PHYSICAL, MENTAL, OR SENSORY CAPABILITIES. CHILDREN SHOULD BE ADEQUATELY SUPERVISED TO ENSURE THEY DO NOT PLAY WITH THE PRODUCT.
- **WARNING:** SOME REGIONS HAVE REGULATIONS THAT RESTRICT THE USE OF THE PRODUCT. CHECK WITH YOUR LOCAL AUTHORITY FOR ADVICE.

### Training

- Read the instructions carefully. Be familiar with all controls and the proper use of the product.
- Never allow children or people unfamiliar with these instructions to use the product. Local regulations may restrict the age of the operator.
- Keep bystanders, children, and pets 15 m away from the area of operation. Stop the product if anyone enters the area.
- Never use the product when you are tired, ill, or under the influence of alcohol, drugs, or medicine.
- Keep in mind that the operator or user is responsible for accidents or hazards occurring to other people or their property.

### Preparation

- Wear full eye and hearing protection while operating the product. If working in an area where there is a risk of falling objects, head protection must be worn.
- Hearing protection may restrict the operator's ability to hear warning sounds. Pay particular attention to potential hazards around and inside the working area.
- Wear long trousers, boots, and gloves. Do not wear loose-fitting clothing, short trousers, jewellery of any kind, or use the product with bare feet.
- Secure long hair so it is above shoulder level to prevent entanglement in moving parts.
- Before use and after any impact, check that there are no damaged parts. A defective switch or any part that is damaged or worn should be properly repaired or replaced by an authorised service centre.
- Make sure the cutting attachment is properly installed and securely fastened.
- Never operate the product unless all guards, deflectors, and handles are properly and securely attached.
- Consider the environment in which you are working. Keep the working area free from wires, sticks, stones, and debris, which if struck by the cutter can become thrown objects.

### Battery Tool Use and Care

- Recharge only with the charger specified by the manufacturer. A charger that is suitable for one type of battery pack may create a risk of fire when used with another battery pack.
- Use power tools only with specifically designated battery packs. Use of any other battery packs may create a risk of injury and fire.
- When the battery pack is not in use, keep it away from other metal objects like paper clips, coins, keys, nails, screws, or other small metal objects that can make a connection from one terminal to another. Shorting the battery terminals together may cause burns or a fire.
- Under abusive conditions, liquid may be ejected from the battery; avoid contact. If contact accidentally occurs, flush with water. If the liquid contacts eyes, seek additional medical help. Liquid ejected from the battery may cause irritation or burns.

### Lawn Trimmer / Edge Trimmer Safety Warnings

- Do not operate the machine in bad weather conditions, especially when there is a risk of lightning. This decreases the risk of being struck by lightning.
- Thoroughly inspect the area for wildlife where the machine is to be used. Wildlife may be injured by the machine during operation.
- Thoroughly inspect the area where the machine is to be used and remove all stones, sticks, wires, bones, and other foreign objects. Thrown objects can cause personal injury.
- Before using the machine, always visually inspect to ensure that the cutter and the cutter assembly are not damaged. Damaged parts increase the risk of injury.
- Keep guards in place. Guards must be in working order and properly mounted. A guard that is loose, damaged, or not functioning correctly may result in personal injury.
- Keep all cooling air inlets clear of debris. Blocked air inlets and debris may result in overheating or risk of fire.
- Wear eye protection and ear protection. Adequate protective equipment will reduce personal injury.
- While operating the machine, always wear nonslip and protective footwear. Do not operate the machine when barefoot or wearing open sandals. This reduces the chance of injury to the feet from contact with the moving cutter.
- Always wear clothing such as trousers that cover the operator's legs while operating the machine. Contact with the moving cutter or line may cause injury.
- Keep bystanders away while operating the machine. Thrown debris can result in serious personal injury.
- Do not operate the machine above waist height. This helps prevent unintended cutter contact and enables better control of the machine in unexpected situations.
- Exercise caution when operating the machine in wet grass. Walk, never run. This reduces the risk of slipping and falling, which may result in personal injury.

## LN4 Line Trimmer Kit

- Do not operate the machine on excessively steep slopes. This reduces the risk of loss of control, slipping, and falling, which may result in personal injury.
- When working on slopes, always be sure of your footing. Always work across the face of slopes, never up or down, and exercise extreme caution when changing direction. This reduces the risk of loss of control, slipping, and falling, which may result in personal injury.
- Keep all power cords and cables away from the cutting area. Power cords or cables may be hidden in hedges or bushes and can be accidentally cut or damaged by the line or cutter.
- Keep all parts of the body away from the moving trimmer cutter or line. Do not clear material from the machine until it has been disconnected from the power source. The moving trimmer cutter or line may result in serious personal injury.
- Carry the machine with the machine switched off and away from your body. Proper handling of the machine will reduce the likelihood of accidental contact with a moving trimmer cutter or line.
- Only use replacement cutting heads and trimmer cutters or lines specified by the manufacturer. Do not replace the trimmer cutters or lines with metal wires or blades. Incorrect replacement parts may cause loss of control, breakage, and injury.
- When clearing jammed material or servicing the machine, make sure the switch is off and the battery pack is removed. Unexpected starting of the machine while clearing jammed material or servicing may result in serious personal injury.
- **WARNING: ENSURE THAT THE LINE CUT-OFF BLADE IN THE GUARD IS PROPERLY POSITIONED AND SECURED BEFORE EACH USE.**

### Transportation and Storage

- Stop the product, remove the battery pack, and allow it to cool down before storing or transporting.
- Clean all foreign material from the product.
- Do not store or transport the product with batteries fitted; remove and secure separately. Store the product in a cool, dry, and well-ventilated place that is inaccessible to children. Keep away from corrosive agents, such as garden chemicals and de-icing salts. Do not store outdoors.
- For transportation in vehicles, secure the product against movement or falling to prevent injury to persons or damage to the product.

### Transporting Lithium Batteries

- Transport the battery in accordance with local and national provisions and regulations. Follow all special requirements on packaging and labeling when transporting batteries by a third party.
- Ensure that no batteries can come in contact with other batteries or conductive materials while in transport by protecting exposed connectors with insulating, non-conductive caps or tape. Do not transport batteries that are cracked or leaking. Check with the forwarding company for further advice.

### Maintenance

- **WARNING: USE ONLY ORIGINAL MANUFACTURER'S REPLACEMENT PARTS, ACCESSORIES, AND ATTACHMENTS. FAILURE TO DO SO CAN CAUSE POSSIBLE INJURY, CONTRIBUTE TO POOR PERFORMANCE, AND MAY VOID YOUR WARRANTY.**
- **WARNING: SERVICING REQUIRES EXTREME CARE AND KNOWLEDGE AND SHOULD BE PERFORMED ONLY BY A QUALIFIED SERVICE TECHNICIAN. FOR SERVICE, WE SUGGEST YOU BRING THE PRODUCT TO YOUR NEAREST AUTHORIZED SERVICE CENTER FOR REPAIR. WHEN SERVICING, USE ONLY IDENTICAL REPLACEMENT PARTS.**
- Switch off and remove the battery pack before conducting any maintenance or cleaning work.
- You may make adjustments and repairs described in this manual. For other repairs, contact an authorised service agent.
- For replacement line, use only nylon filament line of the diameter described in the specification table of this manual.
- After extending new cutter line, always return the product to its normal operating position before starting.
- After each use, clean the product with a soft, dry cloth. Any part that is damaged should be properly repaired or replaced by an authorised service centre.
- Check all nuts, bolts, and screws at frequent intervals for proper tightness to ensure the product is in safe working condition. Any part that is damaged should be properly repaired or replaced by an authorised service centre.
- Bring the product to an authorised service centre to replace damaged or unreadable labels.

### Residual Risk

Even when the product is used as prescribed, it is still impossible to completely eliminate certain residual risk factors. The following hazards may arise during use, and the operator should pay special attention to avoid the following:

- Injury caused by vibration: Hold the product by designated handles and restrict working time and exposure.
- Injury caused by exposure to noise: Wear hearing protection and limit exposure.
- Injury caused by flying debris: Wear eye protection at all times.

### Risk Reduction

It has been reported that vibrations from handheld tools may contribute to a condition called Raynaud's Syndrome. Symptoms may include tingling, numbness, and blanching of the fingers, usually apparent upon exposure to cold. Hereditary factors, exposure to cold and dampness, diet, smoking, and work practices are all thought to contribute to the development of these symptoms. There are measures that can be taken by the operator to possibly reduce the effects of vibration:

- Keep your body warm in cold weather. When operating the product, wear gloves to keep the hands and wrists warm. It is reported that cold weather is a major factor contributing to Raynaud's Syndrome.
- After each period of operation, exercise to increase blood circulation.
- Take frequent work breaks. Limit the amount of exposure per day.
- If you experience any of the symptoms of this condition, immediately discontinue use and see your physician.
- **WARNING: INJURIES MAY BE CAUSED, OR AGGRAVATED, BY PROLONGED USE OF A TOOL. WHEN USING ANY TOOL FOR PROLONGED PERIODS, ENSURE YOU TAKE REGULAR BREAKS.**

**Additional Safety Instructions for Your Battery Charger**

**WARNING: READ ALL SAFETY WARNINGS AND INSTRUCTIONS. FAILURE TO FOLLOW THE WARNINGS AND INSTRUCTIONS MAY RESULT IN ELECTRIC SHOCK, FIRE, AND/OR SERIOUS INJURY. SAVE ALL WARNINGS AND INSTRUCTIONS FOR FUTURE REFERENCE.**




















This appliance can be used by children aged 8 years and above, and by persons with reduced physical, sensory, or mental capabilities, or lack of experience and knowledge, if they have been given supervision or instruction concerning the use of the appliance in a safe way and understand the hazards involved. Children shall not play with the appliance. Cleaning and user maintenance shall not be carried out by children without supervision.

If the supply cord is damaged, it must be replaced by the manufacturer, its service agent, or similarly qualified persons in order to avoid a hazard.

- Before charging, read the instructions. After charging, disconnect the battery charger from the supply mains. Then remove the chassis connection and then the battery connection.
- Do not charge a leaking battery.
- Do not use chargers for purposes other than those for which they are designed.
- Before charging, ensure your charger matches the local AC supply.
- For indoor use only, do not expose to rain.
- The charging device must be protected from moisture.
- Do not use the charging device outdoors.
- Do not short out the contacts of the battery or charger.
- Respect the polarity "+/-" when charging.
- Do not open the unit and keep it out of the reach of children.
- Do not charge batteries from other manufacturers or incompatible models.
- Ensure that the connection between the battery charger and battery is correctly positioned and not obstructed by foreign objects.
- Keep the battery charger's slots free of foreign objects and protect them from dirt and humidity. Store in a dry and frost-free place.
- When charging batteries, ensure that the battery charger is in a well-ventilated area and away from flammable materials. Batteries can get hot during charging. Do not overcharge any batteries. Ensure that batteries and chargers are not left unsupervised during charging.
- Do not recharge non-rechargeable batteries, as they can overheat and break.
- Longer life and better performance can be obtained if the battery pack is charged when the air temperature is between 18°C and 24°C. Do not charge the battery pack in air temperatures below 5°C or above 35°C. This is important as it can prevent serious damage to the battery pack.
- Charge only battery packs of the authorised same model.

# Safety Symbols

The product may have safety warning labels attached to it, explained below. Understand the symbols on your product and their meanings. If any stickers become unreadable, unattached etc., replace them.

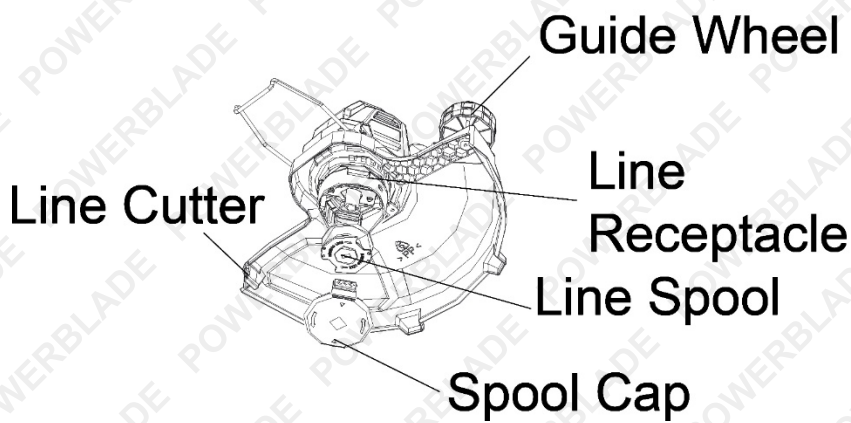
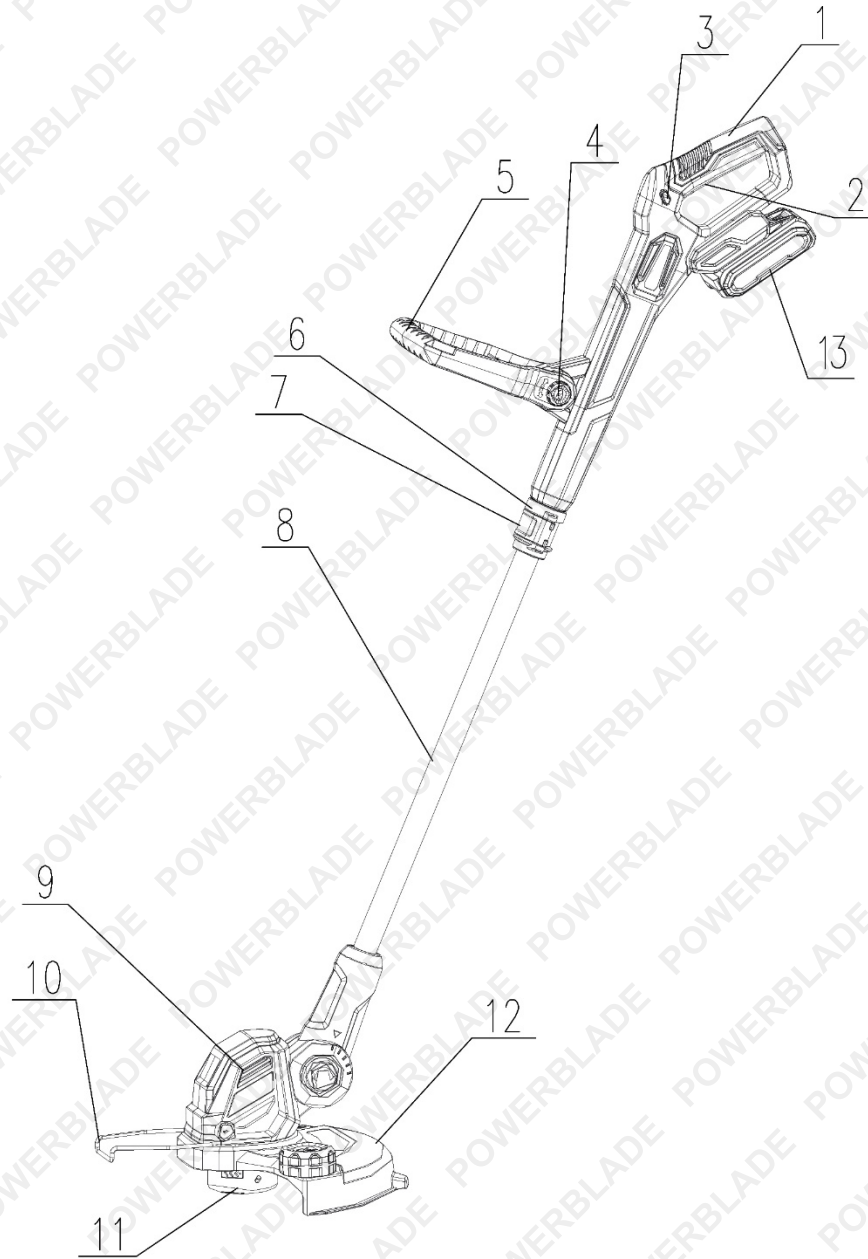
 <p><b>Flammable Material Hazard</b> Flammable liquids, gases, or substances etc may present. Avoid ignition sources and open flames. Danger of fire.</p>	 <p><b>Read User Manual</b> Read and fully understand product safety warnings, operation, procedures etc before using the product.</p>	 <p><b>Use Hand Protection</b> Wear appropriate hand protection and take due care as the product or use of the product may present hand hazards.</p>	 <p><b>Carbon-Monoxide Hazard</b> Do not use the product in confined areas or without adequate ventilation. Carbon-monoxide poisoning can be fatal.</p>
 <p><b>Electrocution / Electrical Shock Hazard</b> High voltage or high current electricity may be present or required by the product. Take due care when handling electrical products, cables, plugs and leads. Electrical shock can be fatal.</p>	 <p><b>Toxic Fumes / Dust Hazard</b> Using the product or by-products from use may produce fumes, smoke or particles that could be harmful if inhaled. Wear appropriate breathing protection and have adequate ventilation.</p>	 <p><b>Explosive Material Hazard</b> Combustible liquids, gases, or substances etc may be present. Avoid ignition sources and open flames. Danger of explosion.</p>	 <p><b>Cutting / Amputation Hazard</b> The product may have blades, edges or mechanical devices that can cause severe cut injury to fingers, limbs etc. Take due care when handling and using the product.</p>
 <p><b>Crush Hazard</b> The product may have blades, edges or mechanical devices that can cause severe crush injury to fingers, limbs etc. Take due care when handling and using the product.</p>	 <p><b>Single Operator Only</b> The product must be operated by a single person only. More than one person operating the product may introduce additional hazards.</p>	 <p><b>Use Face Protection</b> Wear appropriate full-face protection and take due care as the product or use of the product may present face and eye hazards.</p>	 <p><b>Use Foot Protection</b> Wear appropriate foot protection and take due care as the product or use of the product may present foot hazards.</p>
 <p><b>Use Eye / Ear / Head Protection</b> Wear appropriate eye and / or ear and / or head protection and take due care as the product or use of the product may present eye, hearing, and head hazards.</p>	 <p><b>Running Hazard</b> Do not run on or near the product as doing so may present a fall hazard.</p>	 <p><b>Diving Hazard</b> Do not dive into the product as doing so may present a neck / head injury hazard.</p>	 <p><b>Adult Supervision Required</b> Always supervise children and other users of a product to prevent drowning or injury.</p>
 <p><b>Skin Penetration / Puncture Hazard</b> The product may produce pressure, emit liquids or objects that can cause severe injury to fingers, limbs, blood etc. Take due care when handling and using the product.</p>	 <p><b>Hot Surface Hazard</b> Be aware that the product may produce high temperatures and hot surfaces that can cause burn injuries.</p>	 <p><b>Flying Debris Hazard</b> Be aware that the product or use of the product may present hazards produced by flying debris. Wear appropriate clothing and protective devices.</p>	 <p><b>Moving Parts Hazard</b> Be aware that the product contains or uses mechanical devices that move or rotate. Always wait for moving parts to stop fully before handling the product, adjusting, maintenance etc.</p>

 <p><b>Carbon-Monoxide Hazard</b> Do not use the product in confined areas or without adequate ventilation. Carbon-monoxide poisoning can be fatal.</p>	 <p><b>Pull Hazard</b> Be aware that the product contains or uses mechanical devices that can pull in objects and can cause severe injury to fingers, limbs etc. Take due care when handling and using the product.</p>	 <p><b>Slope / Fall Injury Hazard</b> Be aware that using the product on sloping surfaces or in slippery conditions may present additional dangers from falls and contact with blades, moving parts, hot surfaces etc.</p>	 <p><b>"Slam Dunk" Warning</b> Do NOT attempt "slam dunk" manoeuvres as this may result in severe injury due to falling, product breakage or collapse etc.</p>
 <p><b>Electrocution / Electrical Shock Hazard - Outdoor</b> High voltage or high current electricity may be present or required by the product. Do NOT use in rain, damp, or wet conditions. Electrical shock can be fatal.</p>	 <p><b>Electrocution / Electrical Shock Hazard - Disconnect</b> High voltage or high current electricity may be present or required by the product. Always disconnect the product from the electrical supply before handling the product, adjusting, maintenance etc.</p>	 <p><b>Power Line Electrocution Hazard</b> High voltage / high current power lines may be present. Use extreme caution to avoid contact or interference with power lines. Electrical shock can be fatal.</p>	 <p><b>"Kick-Back" Hazard</b> High level of "kick-back" hazard that can cause the machine to suddenly rotate towards operator. Kick-back injury can be fatal.</p>
 <p><b>Winch Operator Position Hazard</b> Do NOT stand between winch and load. Do NOT use winch to move people.</p>	 <p><b>Winch Lift Hazard</b> Do NOT LIFT load vertically. Use machine to PULL only.</p>	 <p><b>Cable Hazard</b> Ensure that load bearing cable is not kinked or knotted.</p>	 <p><b>Winch Cable Hazard</b> Ensure that there is a minimum number of cable coils on winching mechanism.</p>
 <p><b>Winch Hook Hazard</b> Carry hook to load – do NOT throw or run.</p>	 <p><b>Flash / Blinding Hazard</b> Wear appropriate eye protection for welding. Direct exposure to weld arcs may cause permanent eye injury.</p>	 <p><b>Laser Hazard</b> Laser may be in use – do NOT look directly at laser or allow others to.</p>	 <p><b>Choking Hazard</b> Children under 8 yrs. Can choke or suffocate on small parts. Adult supervision required.</p>

# Table of Contents

<b>Safety</b> .....	<b>2</b>
Safety Symbols .....	7
<b>Parts Identification</b> .....	<b>10</b>
<b>Assembly</b> .....	<b>12</b>
Mounting the Auxiliary Handle .....	12
Mounting the Guard .....	13
Installing the Battery Pack .....	14
<b>Operation</b> .....	<b>15</b>
Switching On/Off .....	15
Adjusting the Length of Tool .....	16
Adjusting the Angle of Trimmer Head .....	16
Using the Flower Protection .....	17
Edging Trimming .....	17
General Trimming Instructions .....	18
Line Feeding .....	19
Charging the Battery .....	20
<b>Lithium Battery Care and Maintenance</b> .....	<b>22</b>
Top 3 Battery Care Requirements .....	22
<b>Maintenance</b> .....	<b>24</b>
General .....	24
Replacing the Line Spool .....	24
Cleaning .....	25
Transport .....	25
Storage .....	25
Disposal .....	26
<b>Troubleshooting</b> .....	<b>27</b>
<b>Specifications</b> .....	<b>28</b>

# Parts Identification



LN4 Line Trimmer Kit

No.	Name
1	Handle
2	Switch Trigger
3	Safety Switch
4	Auxiliary Handle Button
5	Auxiliary Handle
6	Pipe Sleeve
7	Telescoping Lock Clip
8	Aluminium Pipe
9	Motor Housing
10	Flower Protection
11	Trimmer Head
12	Guard
13	Battery Pack

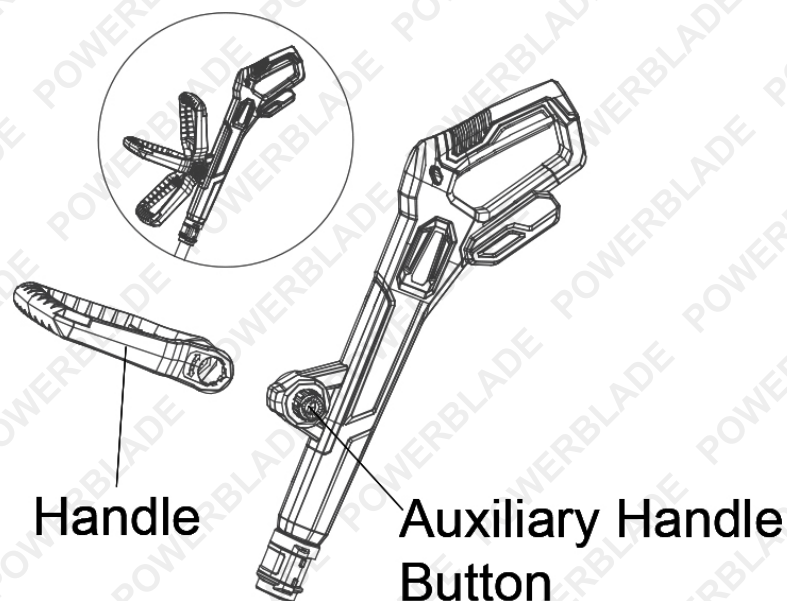
## Assembly

1. Unpack all parts and lay them on a flat, stable surface.
2. Remove all packing materials and shipping devices, if applicable.
3. If you find that parts are missing or show damage, do not use the product but contact your dealer. Using an incomplete or damaged product represents a hazard to people and property.
4. Ensure that you have all the accessories and tools needed for assembly and operation. This also includes suitable personal protective equipment.

**WARNING:** Wear protective gloves for this assembly work and always lay the product on a flat and stable surface while assembling. Follow the assembly instructions step-by-step and use the pictures provided as a visual guide to easily assemble the product. Do not insert the battery cartridges before the power tool is completely assembled or adjusted.

### Mounting the Auxiliary Handle

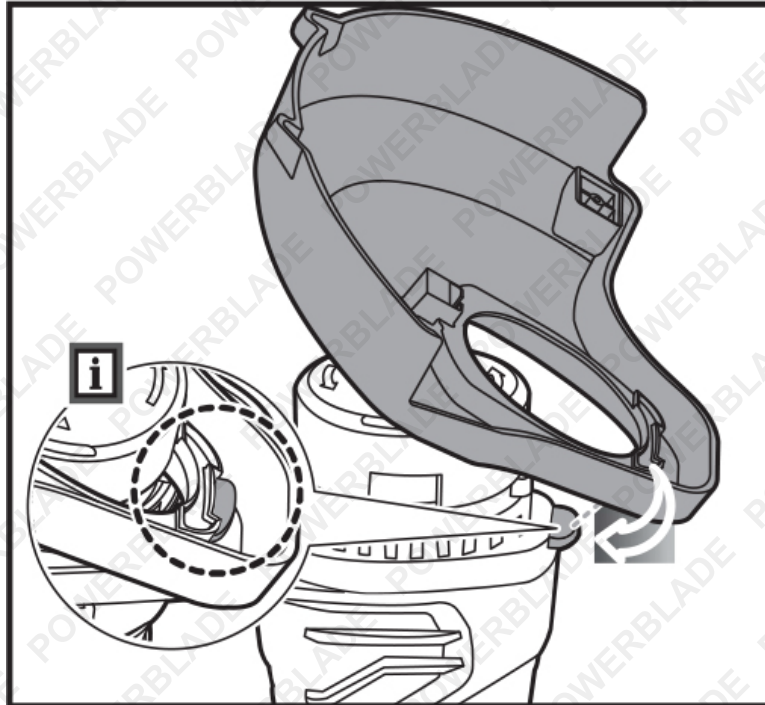
1. Keep the auxiliary handle button pressed, then fix the auxiliary handle to the trimmer.
2. Release the button until you achieve your satisfied position. Make sure the auxiliary handle is well engaged before the next step.



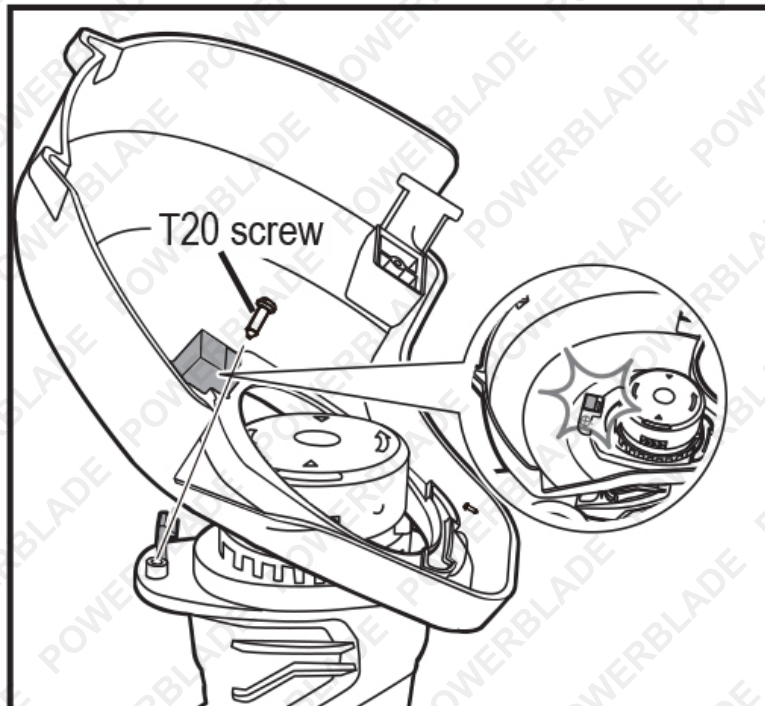
## Mounting the Guard

**WARNING:** To reduce the risk of injury to persons, do not operate without guards in place.

1. Attach the front part of the safety guard to the trimmer head.



2. Attach the back part of the safety guard to the trimmer head until the latch clicks into place.
3. Secure the guard to the line trimmer with the supplied T20 screw.



## Installing the Battery Pack

1. Insert the charged battery into the battery docking port.
2. Ensure the battery is well seated.
3. To remove the battery from the machine, press the battery unlock button and pull the battery out.

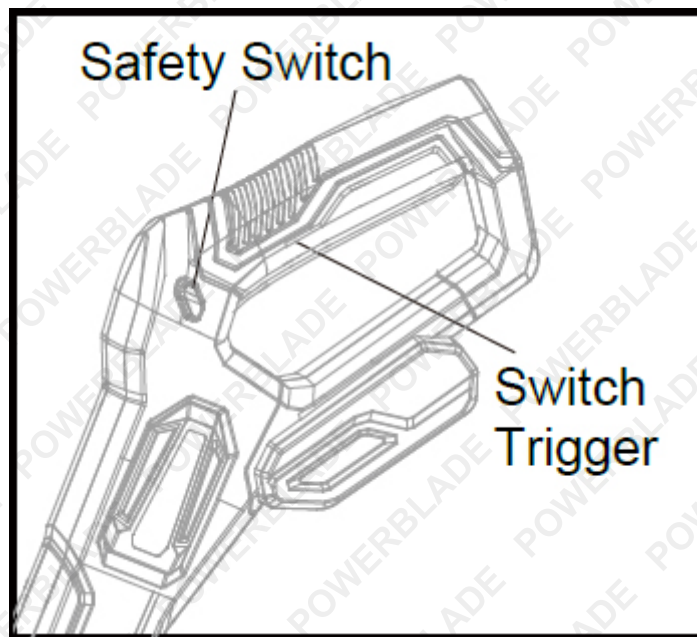
**Note: Using unsuitable batteries can lead to malfunctions or damage to the machine.**

## Operation

**WARNING:** Inspect the tool for complete installation. Any missing, damaged, or misplaced parts may cause serious injury. Wear eye protection, long trousers, and stout shoes at all times while operating the power tool.

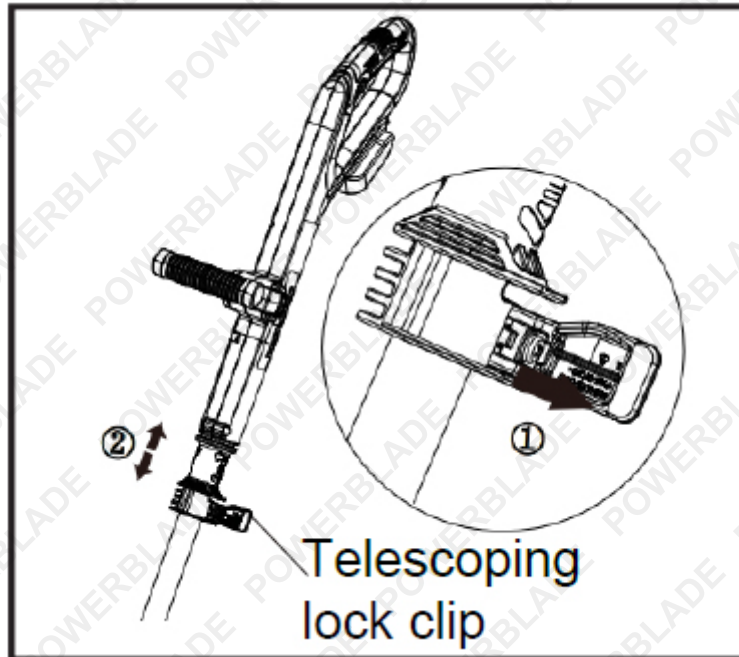
### Switching On/Off

1. Keep the safety switch pressed first.
2. Then press the switch trigger to switch the product on. Release the safety switch once the product is running.
3. Release the switch trigger to switch the product off.



## Adjusting the Length of Tool

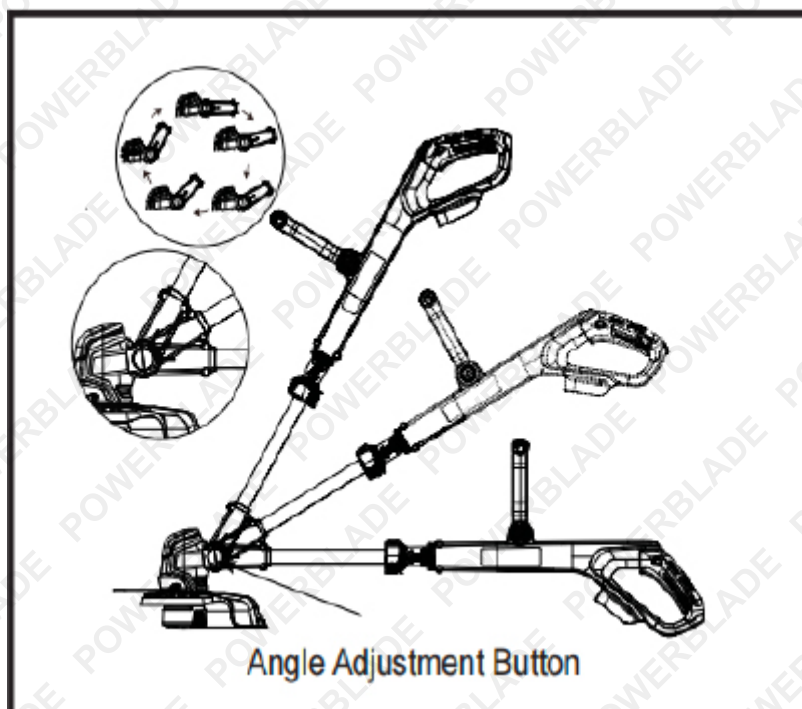
1. Unlock the telescoping lock clip and stretch the aluminium pipe to your desired length.
2. Lock the clip again when you have finished your adjustment.



## Adjusting the Angle of Trimmer Head

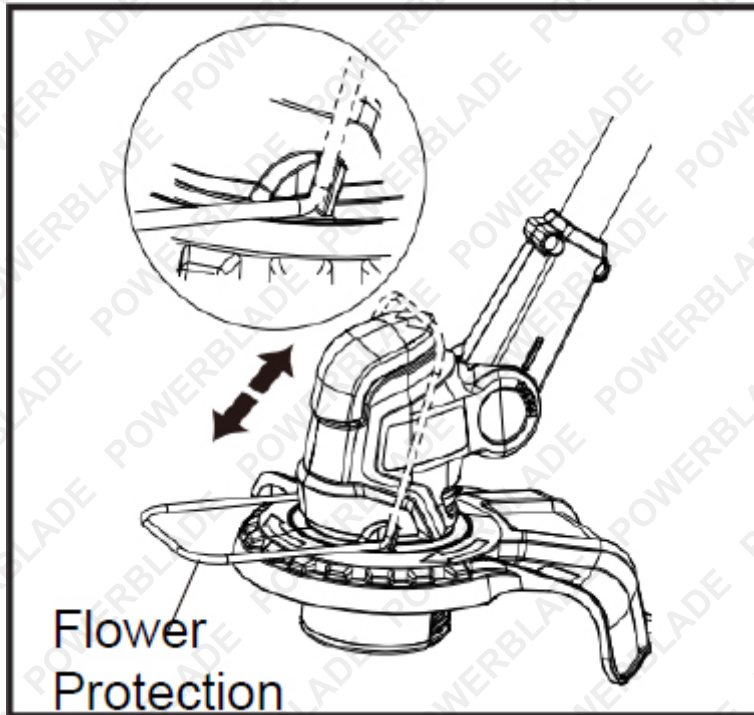
1. Keep pressing the angle adjustment button.
2. Hold the body of the trimmer and adjust it to the desired position.
3. Listen for a "click" sound to confirm the trimmer head is securely engaged.

Five optional angles ( $0^{\circ}$ ~ $65^{\circ}$ ) are available to meet your usage requirements.



## Using the Flower Protection

1. Switch the flower protection to the working state by pulling it down and clamping it into the slot.
2. When the flower protection is not in use, reset it by flipping it upside.

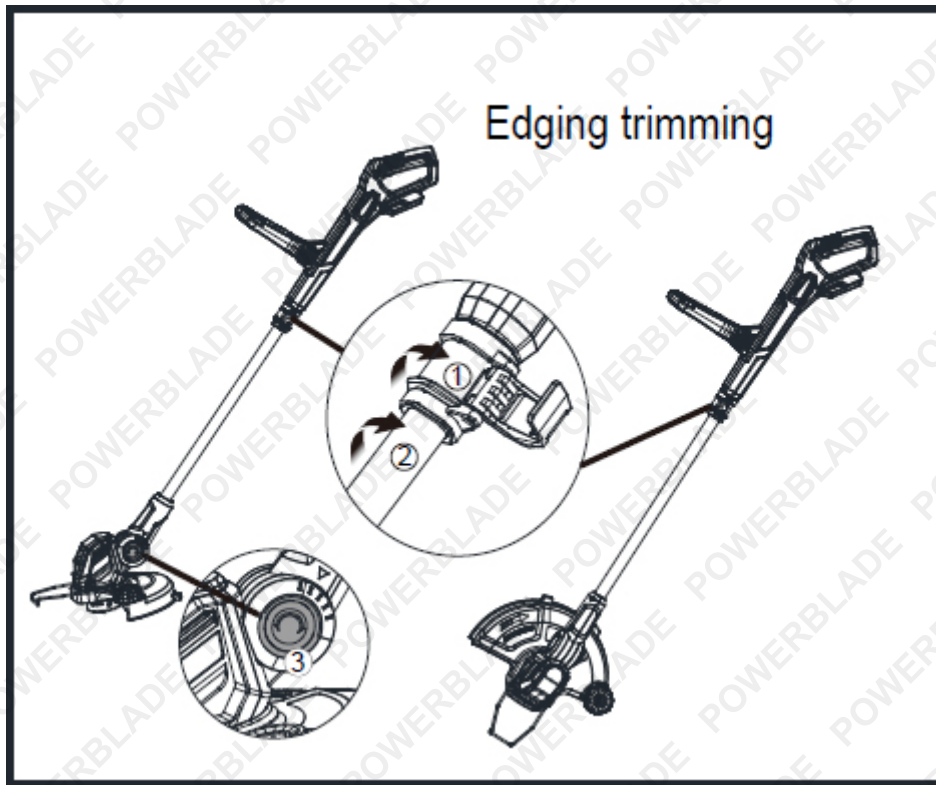


## Edging Trimming

**WARNING:** Risk of Eye Injury. Use safety glasses or similar eye protection.

When used as an edger, stones, pieces of metal, and other objects can be thrown out at high speed by the line. The trimmer and guard are designed to reduce the danger. However, make sure that other persons and pets are at least 100 feet (30 meters) away.

1. Remove the battery from the trimmer.
2. Press the angle adjustment knob and simultaneously turn the head of the trimmer clockwise until it stops.
3. Release the telescoping lock clip.
4. Hold the metal shaft and rotate the lower housing 90°.
5. Lock the telescoping lock clip.
6. Insert the battery and use the guide wheel to operate edging.



## General Trimming Instructions

1. Stand in the operating position. Stand up straight. Do not bend over. Keep feet apart and firmly planted.
2. Move the trimmer left and right, keeping it well away from your body. Cut all grass from top to down.
3. Inspect the working area and remove all debris that may be entangled in the trimmer head. Also, remove any objects that the product may throw during cutting.
4. If the trimmer head becomes wrapped with grass, stop the trimmer and clean it up.
5. Avoid trees, flowers, stones, walls, and other objects that can cause the line to break.
6. Check and feed the line regularly to maintain full cutting width and performance.

Note: Some line breakage will occur due to:

- Entanglement with foreign matter.
- Normal line fatigue.
- Attempting to cut thick vegetation.
- Forcing the line into objects such as walls or fence posts.

LN4 Line Trimmer Kit

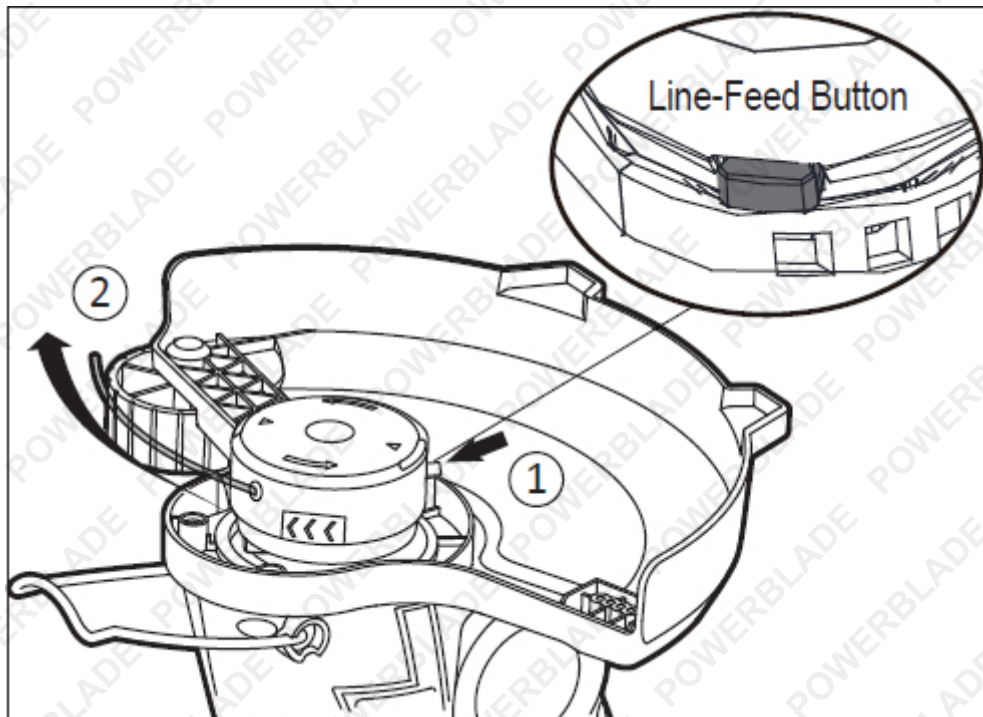
## Line Feeding

### Automatic Line Feeding

The trimmer is equipped with an automatic feeding system. The system feeds line with every press of the switch trigger.

### Manual Line Feeding

Press the line-feed button and adjust the line to the desired length.



1. Press the button (①).
2. Pull the line out (②).

# Charging the Battery

**USE THE BATTERY CHARGER ONLY WITH AUTHORISED 20V LITHIUM-ION BATTERIES.**

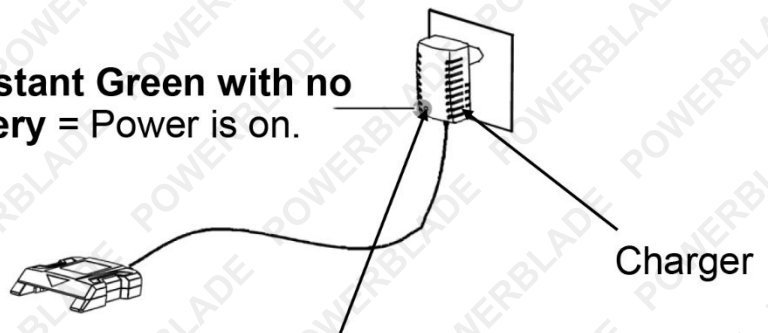
Battery packs are shipped in a low charge condition to prevent possible issues. Therefore, you should charge them prior to use.

**NOTE: Batteries will not reach full charge the first time they are charged. Allow several cycles (operating the tool followed by recharging the batteries) for them to fully charge.**

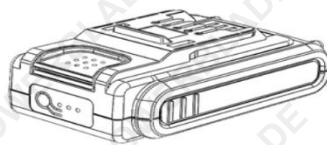
## To Charge

1. Use this battery charger only with authorised 20V Lithium-ion batteries.
2. Ensure the power supply is normal house voltage, 220-240 volts, 50 Hz, AC only.
3. Connect the charger to the power supply. The light will be **GREEN**, indicating that the power is on.
4. Slide the battery pack into the charger.
5. Press down on the battery pack to ensure the contacts on the battery pack engage properly with the charger contacts.
6. The charger light will illuminate. A constant **RED** light indicates the battery is charging. A constant **GREEN** light indicates the battery is fully charged.
7. A minimum charge time of 80 minutes is required to recharge a completely discharged battery pack.
8. The battery pack will become slightly warm to the touch while charging. This is normal and does not indicate a problem.
9. **DO NOT** place the charger in an area of extreme heat or cold. It will work best at normal room temperature.
10. - When the battery is fully charged, unplug the charger from the power supply and remove the battery pack.

**Constant Green with no battery = Power is on.**



**Constant Red = Battery is charging**  
**Constant Green = Battery is fully charged.**



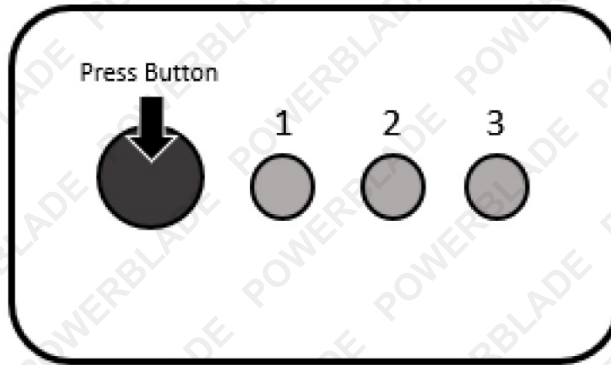
2.0Ah Battery Pack



4.0Ah Battery Pack

### Battery Capacity

By pressing the button, the LED display shows the battery capacity.



LED lights	Battery status
All LED are on	Full charged (70-100%)
LED 1, 2 are on	Battery is 35%-70% charged
LED 1 is on	Battery is depleted (0%-35%). Charge the battery.

### LED Function of Charger

The LED will light up to indicate the status of the charger and battery pack:

- One constant **green** LED with no battery installed = Power is on.
- One constant **red** LED = Battery pack is charging.
- One constant **green** LED = Battery pack is fully charged.




### Important Information for Recharging Hot Batteries

When using a tool continuously, the battery pack may become hot. You should allow a hot battery pack to cool down for approximately 30 minutes before attempting to recharge it.

**NOTE: If the charger does not charge your battery pack under normal circumstances, please contact the manufacturer or an authorised service centre.**

# Lithium Battery Care and Maintenance

## Top 3 Battery Care Requirements

11. **Charge battery before first use.** The battery may arrive with some charge, regardless of this the battery must be charged for 1.5 hours on the initial charge and 1.5 hours for each subsequent charge. 
12. **Charge battery immediately when it is depleted.** Do not store a depleted battery. This will permanently impact the life of the battery. If the battery is going to be stored for a period of time, fully charge the battery before storing. 
13. **Disconnect battery when not in use.** To prolong the life of a battery, disconnect it from the unit when not in use. Disconnect chargers from the battery once charged. 

To ensure the battery maintains optimum performance, follow the guidelines outlined below.

- For best results, charge batteries in temperatures between 10°C and 30°C
- When battery is charged, disconnect the charger from the power supply and remove the battery from the charger.
- If a battery is stored or otherwise unused for an extended period, and the battery has no charge remaining when you check it, consider it to be damaged. Do not attempt to recharge it or to use it. Replace it with a new battery.
- Use only with the battery charger specified by the manufacturer.
- Ensure that the battery charger electrical cord is not subjected to damage or stress. Do not operate the battery charger if it has a damaged electrical cord or plug.
- Do not use the charger in wet areas or expose it to rain or water.
- The typical estimated life of a Lithium-Ion battery is about two to three years or 300 to 500 charge cycles, whichever occurs first. One charge cycle is a period of use from fully charged, to fully discharged, and fully recharged again.
- Explosion hazard – protect the battery against heat, for example, direct sunlight and fire. Do not store batteries in vehicles or locations subject to heat.
- Batteries can explode in the presence of an ignition source, such as a pilot light. To reduce the risk of serious personal injury, never use any cordless product in the presence of open flame. Exploding batteries can propel debris and chemicals.
- Do not open the battery – danger of short-circuiting and/or explosion.
- Do not attempt to destroy or disassemble the battery pack or remove any of its components.
- Do not touch the battery terminals with metal objects and/or body parts as short-circuit and/or personal injury may result.
- Explosion hazard – do not open and/or short-circuit the battery.
- Poison hazard – battery leakage (liquid ejection). Under extreme conditions, liquid may be ejected from the battery – avoid contact. If contact accidentally occurs, immediately seek medical attention, and flush with water. If liquid contacts eyes, immediately seek medical attention, flush with clean water for at least 10 minutes. Liquid ejected from the battery may cause irritation or burns.
- Dispose of non-serviceable batteries in an environmentally responsible manner and according to local regulations.

Failure to adhere to the requirements above may result in the battery becoming inoperative or battery life being reduced. In extreme cases or abuse, battery overheating, or fire may result.

## **DANGER - BATTERY CHARGING, USE AND STORAGE**

Like mobile phones, laptops, cordless vacuum cleaners etc, this product may contain or be related to a lithium ion battery pack (lithium ion batteries and lithium ion battery related items only). Lithium ion batteries allow fast charging and high capacities, however care must be taken to reduce chances of a fault, and increase safety in case a fault occurs. Catastrophic incidents involving lithium ion batteries have a tendency to result in large amounts of smoke and fire. Be sure to follow the points below to reduce the likelihood of danger whenever you use, charge or store any lithium ion battery.

- Never charge a battery that has been damaged or subjected to a forceful impact.
- Never charge a battery that has been exposed to moisture or water.
- Never charge a battery with a charger that wasn't supplied with the battery.
- Never use a battery in a device that it wasn't specifically designed for.
- Never use a battery with a modified or damaged device.
- Never modify the battery, product, charger, circuitry or wiring.
- Never charge a battery in an exit path that may be used by people to leave a room or building in case of an emergency, for example, the hallway or foyer of a residence.
- Never charge a battery in an area or building that doesn't have the recommended number of working smoke detectors that have been tested in accordance with local guidelines.
- Never charge a battery when the battery or charger is displaying a problem or charging incorrectly.
- Always charge batteries on a non-combustible surface, for example, on a concrete floor.
- Always charge batteries at least 3m away from anything combustible, such as floors, wall surfaces, furniture, storage shelves etc.
- Always charge batteries in an open area (outside if possible) ensuring the battery and charger are away from moisture and water.
- Always disconnect batteries from the charger after charging.
- Always remove or disconnect batteries from the device/product when not in use.
- Always ensure batteries are charged under adult supervision. Do not charge unattended. Do not charge batteries while no one is home or while people are sleeping.
- Keep batteries away from heat and moisture.
- Damaged batteries should be disposed of through your local e-waste collection service.
- Avoid mixing and matching chargers. Unplug products when fully charged, and charge batteries in a cool, dry place away from combustible materials like beds, lounges, or carpet.
- During charging and use, check your lithium-ion batteries for overheating, signs of swelling, leaking, or venting gas. Immediately stop using your product if these signs are present.
- Allow batteries to cool after use and before charging.

## Maintenance

**WARNING:** Remove the battery cartridges before maintenance! Wear protective gloves and clothing! Always wear protective equipment such as gloves and eye protection to reduce the risk of injury when operating this unit. Only perform repairs and maintenance work according to these instructions! All further work must be performed by a qualified specialist! When servicing, use only identical replacement parts. Use of any other accessory or attachment may increase the risk of injury.

### General

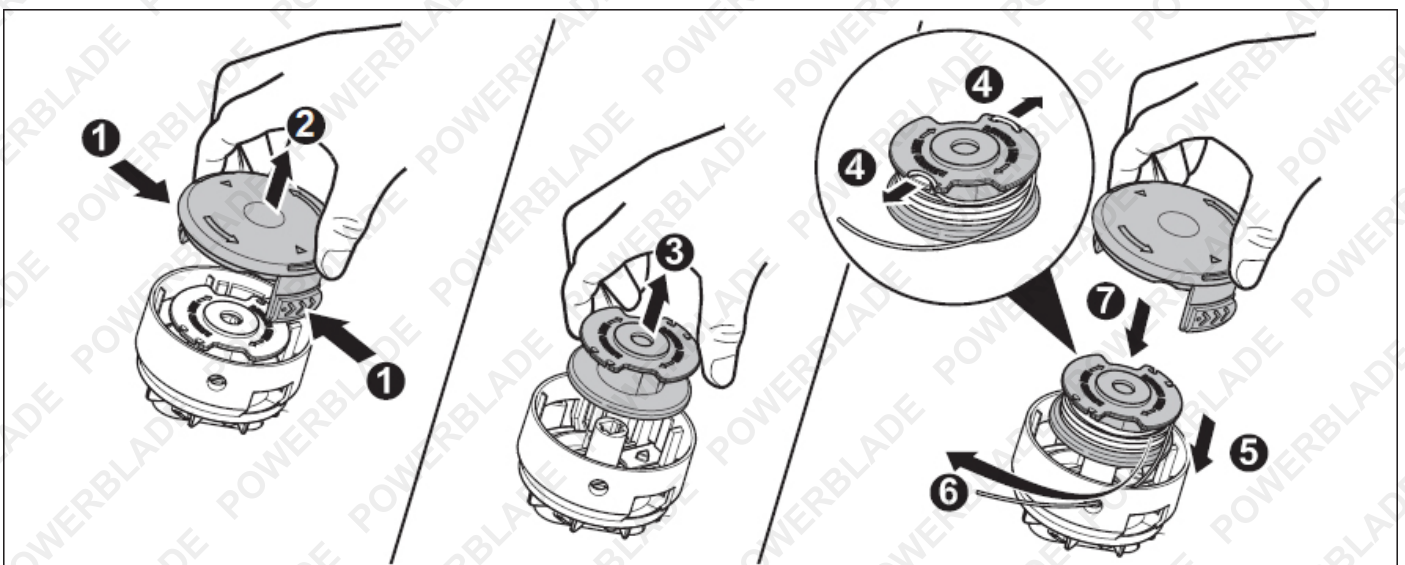
- When servicing, use only identical replacement parts. The use of any other parts may create a hazard or cause product damage.
- Do not allow brake fluids, gasoline, petroleum-based products, penetrating oils, etc., to come into contact with plastic parts at any time. These substances contain chemicals that can damage, weaken, or destroy plastic.
- DO NOT abuse power tools. Abusive practices can damage tools as well as the workplace.
- Do not attempt to modify or create accessories not recommended for use with the charger. Any such alteration or modification is misuse and could result in a hazardous condition, leading to possible serious personal injury.

### Replacing the Line Spool

**WARNING:** Risk of injury due to the cutting tool. Only adjust the device with the motor switched off, the battery removed, and the cutting tool at a standstill. Do not reach into the area of the rotating line. Always remove the battery before working on the device.

**Notice:** Use only 1.4 mm diameter round nylon monofilament line. Do not use serrated or heavier gauge line, as they will overload the motor and cause overheating.

**Notice:** Before you begin trimming, only use the appropriate type of cutting line. Only use authorized replacement spool.



1. Firmly press both (①) of the engaging lugs of the spool cap together at the same time and pull the cap off (②).

#### LN4 Line Trimmer Kit

2. Remove the line spool (③). If necessary, remove any dirt.
3. Extend the line out of the new spool fitting (④).
4. Insert the spool in the line receptacle (⑤).
5. Thread the end of the line of the coil through the eye of the thread receptacle (⑥).
6. Firmly press both of the engaging lugs of the spool cap together at the same time and push the cap onto the spool until it engages (⑦).

## Cleaning

1. Switch the product off and pull out the battery pack.
2. Use a small brush to clean the outside of the unit. Do not use strong detergents. Household cleaners that contain aromatic oils such as pine and lemon, and solvents such as kerosene, can damage plastic. Wipe off any moisture with a soft cloth.

**Note: If the trimmer head is blocked by foreign objects during operation, stop the product, wait until the product stops entirely, then remove the foreign objects and clean the trimmer head. Clean moving parts may result in hazardous injury.**

## Transport

- Always carry the product by its handle.
- Clean the product as described above.
- Protect the product from any heavy impact or strong vibrations that may occur during transportation in vehicles.
- Secure the product to prevent it from slipping, falling over, or causing damage or injury.

## Storage

- Clean the product as described above.
- Store the product and its accessories in a dark, dry, frost-free, well-ventilated place.
- We recommend using the original package for storage or covering the product with a suitable cloth or enclosure to protect it against dust.
- Always store the product in a place that is inaccessible to children. The ideal storage temperature is between 0°C and 40°C.

**Note: To prolong battery life, never store the battery pack in a completely discharged condition. Make sure the battery pack is charged once per year or when the LED indicator shows only one light.**

## Disposal

- Waste products should not be disposed of with household waste. Please recycle where facilities exist. Check with your local authority or retailer for recycling advice.
- During operation, grasses or weeds may be cut by the unit; users should clean these objects to protect the environment.
- Electrical products should not be discarded with household products. Used electrical products must be collected separately and disposed of at collection points provided for this purpose. Consult your local authorities or dealer for advice on recycling.

# Troubleshooting

Problem	Cause	Solution
<b>The device switches off.</b>	<ol style="list-style-type: none"> <li>1. The battery pack is too hot.</li> <li>2. The battery pack is discharged.</li> <li>3. The temperature of the device (electronics) is too high.</li> </ol>	<ol style="list-style-type: none"> <li>1. Allow the battery pack to cool.</li> <li>2. Charge the battery pack.</li> <li>3. Allow the device to cool and, if necessary, clean the ventilation slots.</li> </ol>
<b>The device will not turn on.</b>	<ol style="list-style-type: none"> <li>1. The battery pack is discharged.</li> <li>2. Battery pack temperature too high or too low.</li> <li>3. The battery pack is defective.</li> </ol>	<ol style="list-style-type: none"> <li>1. Charge the battery pack.</li> <li>2. Allow the battery pack to cool down or heat up.</li> <li>3. Replace the battery pack.</li> </ol>
<b>Automatic line adjustment does not work.</b>	<ol style="list-style-type: none"> <li>1. The line spool is empty.</li> <li>2. The line spool is dirty.</li> <li>3. The line has torn off and is pulled into the line spool. The line has become caught in the spool.</li> <li>4. The line is melted onto the spool.</li> </ol>	<ol style="list-style-type: none"> <li>1. Replace the line spool.</li> <li>2. Use a brush to remove dirt from the parts.</li> <li>3. Take off the line spool; if necessary, rewind the line and insert the spool.</li> <li>4. Remove the melted line part; if necessary, rewind the line and insert the spool.</li> </ol>
<b>The line breaks off too frequently.</b>	The line comes into contact too frequently with fixed objects, e.g. fences, trees, etc.	Use the plant protection guard.
<b>Strong vibrations.</b>	Device fasteners have come loose.	Consult technical support.

# Specifications

<b>Battery Type</b>	Lithium Ion
<b>Battery Voltage</b>	20V
<b>Battery Capacity</b>	2.0Ah
<b>Noise Level</b>	96dB
<b>Cutting Diameter</b>	300mm
<b>Trimmer Line</b>	φ1.6mm
<b>Charger</b>	240V
<b>Charge Time</b>	90 mins
<b>Runtime</b>	Up to 28 mins
<b>Power Source</b>	Battery
<b>Power Plug</b>	Australian Standard

*Note: Requires minimal assembly*



**Some experts believe that the incorrect or prolonged use of almost any product may cause serious injury or death. To help reduce your risk of serious injury or death, refer to the information below. For more information, see [www.datastreamserver.com/safety](http://www.datastreamserver.com/safety)**

- Consult all documentation, packaging, and product labelling before use. Note that some products feature documentation available online. It is recommended to print and retain the documentation.
- Before each use, check the product for loose/broken/damaged/missing parts, wear, or leaks (if applicable). Never use a product with loose/broken/damaged/missing parts, wear, or leaks.
- Products must be inspected and serviced (if applicable) by a qualified technician every 6 months. This is based on average residential use by persons of average size and strength, and on a property of average metropolitan size. Use beyond these recommendations may require more frequent inspections/servicing.
- Ensure that all users of the product have completed a suitable industry recognised training course before being allowed access to the product.
- The product has been supplied by a general merchandise retailer that may not be familiar with your specific application or description of application. Be sure to attain third-party approval from a qualified specialist for your application before use, regardless of any assurances from the retailer or its representatives.
- This product is not intended for use where fail-safe operation is required. As with any product (for example, automobile, computer, toaster), there is the possibility of technical issues that may require the repair or replacement of parts, or the product itself. If the possibility of such failure and the associated time it may take to rectify could in any way inconvenience the user, business, or employee, or financially affect the user, business, or employee, then the product is not suitable for your requirements. This product is not intended for use where incorrect operation or a failure of any kind, including but not limited to, a condition requiring product return, replacement, parts replacement, or service by a technician may cause financial loss, loss of employee time or an inconvenience requiring compensation.
- If this product has been purchased in error when considering the information presented here, contact the retailer directly for details of their returns policy, if required.

