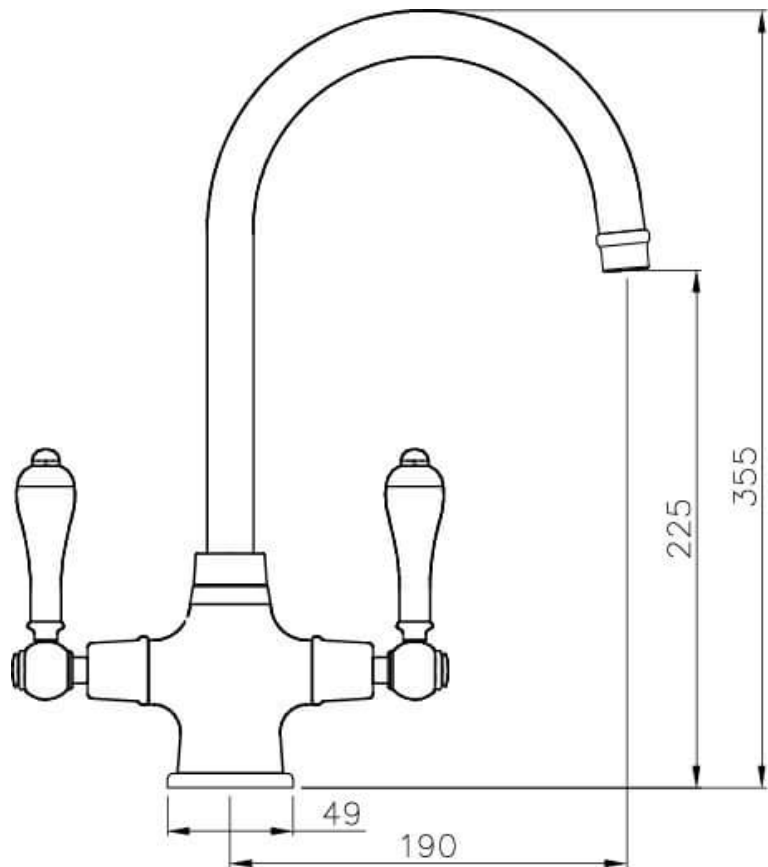


## Ludlow Double Mixer Tap - Brushed Brass



### Specifications

- Material: Brass
- Finish: Brushed Brass
- WELS Rating: 5 Star (5.5L/min) (R:T41450)
- Quarter turn ceramic disk valves
- Watermark approved to Australian Standards
- Swivel Spout

### Product Options

LU103DM-BB: Ludlow Double Mixer Tap with White Lever Handle - Brushed Brass

LU119DM-S-BB: Ludlow Double Mixer Tap with Metal Lever Handle - Brushed Brass

### Warranty

For peace of mind, Turner Hastings offers the following warranty on this product and its components:

- Body, handle and chrome finish - 15 years
- Spindles - 5 years
- Brushed Brass and Brushed Nickel finish - 5 years

For more details, click [here](#) to refer to our warranty page.