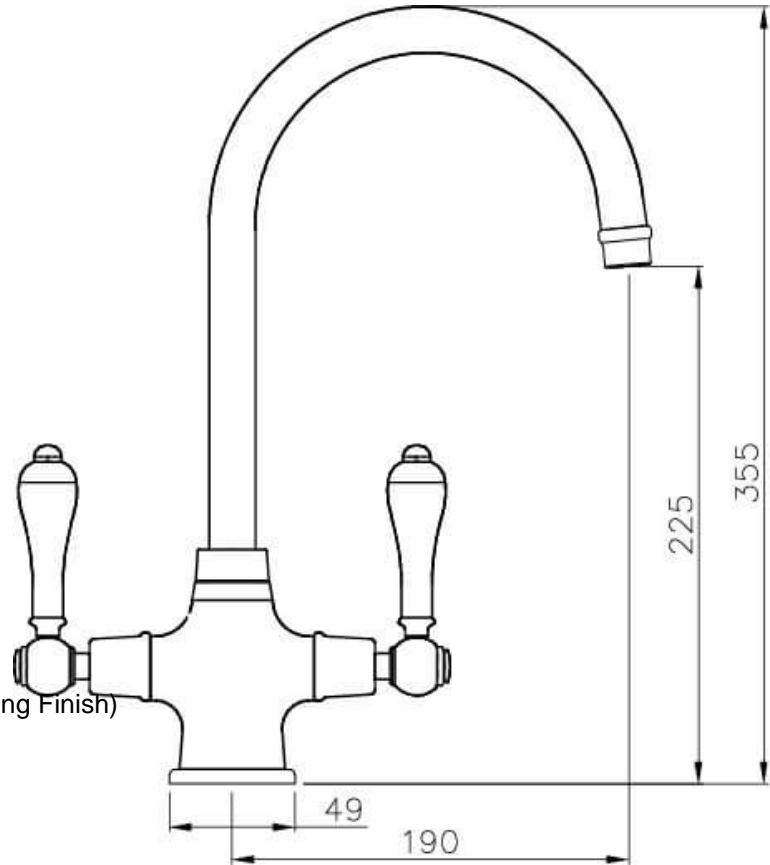


Ludlow Double Mixer Tap - English Bronze



Specifications

- Material: Lead Free Brass
- Finish: Electroplated English Bronze (Unlacquered Living Finish)
- WELS Rating: 5 Star (5.5L/min) (R:T41496)
- Watermark approved to Australian Standards
- Quarter turn ceramic disk valves
- Swivel Spout

Product Options

LU110DM-EB: Ludlow Double Mixer Tap with White Lever Handle - English Bronze

LU120DM-S-EB: Ludlow Double Mixer Tap with Metal Lever Handle - English Bronze

Warranty

For peace of mind, Turner Hastings offers the following warranty on this product and its components:

Body and handle - 15 years

Spindles - 5 years

English Bronze finish - no warranty as this is a living finish

For more details, click [here](#) to refer to our warranty page.