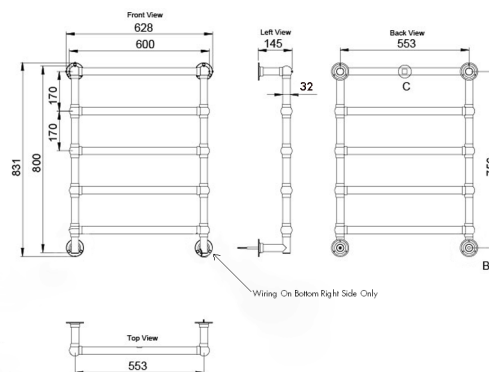


Mayer Liquid-Filled Heated Towel Rail - Chrome



TRADITIONAL & HAMPTONS STYLE SPECIALISTS

BATHROOM | KITCHEN | LAUNDRY

Specifications

- Made in Europe
- Installation option: Wall mounted
- Made from #304 Stainless Steel
- Finishes available: Chrome, Brushed Brass PVD, or Brushed Nickel.
- IP44 protection rated
- Fully concealed wiring
- Liquid filled for added thermal conductivity and consistent temperature
- 300 Watt replaceable immersion heating element
- 240 Volts
- Heats to approximately 55°C. Takes only 15 to 30 minutes to heat up.
- For aesthetic reasons, the rail has no switch on it. This rail should be installed with either a control panel timer or it can be connected to a switch in the bathroom, as a part of a powerpoint or beside the light switch is a good idea.
- Rail is filled with a mixture of water and glycol, to stop freezing and corrosion.
- Weight: 11.5 kg
- Can be installed a minimum of 600mm from a shower or bath.
- Running cost only about 9 cents per hour!

Product Options

MA601HTR-CH: Mayer Liquid-Filled Heated Towel Rail - Chrome

Warranty

For peace of mind, Turner Hastings offers the following warranty on this product and its components:
Heated Towel Rail – 10 year warranty on rails, 5 years on Brushed Brass PVD finish, 3 years on element and 2 years on control panel timer.
For more details, click here to refer to our warranty page.