



**STUDIO BAGNO**



**CLEANMAX**  
ANTI-BACTERIAL  
SELF CLEANING GLAZE

# MANHATTAN

STYLE

Wall Faced Pan

CODE

MAN002

WEIGHT

38.5 kg

COLOURS

White

INCLUSIONS

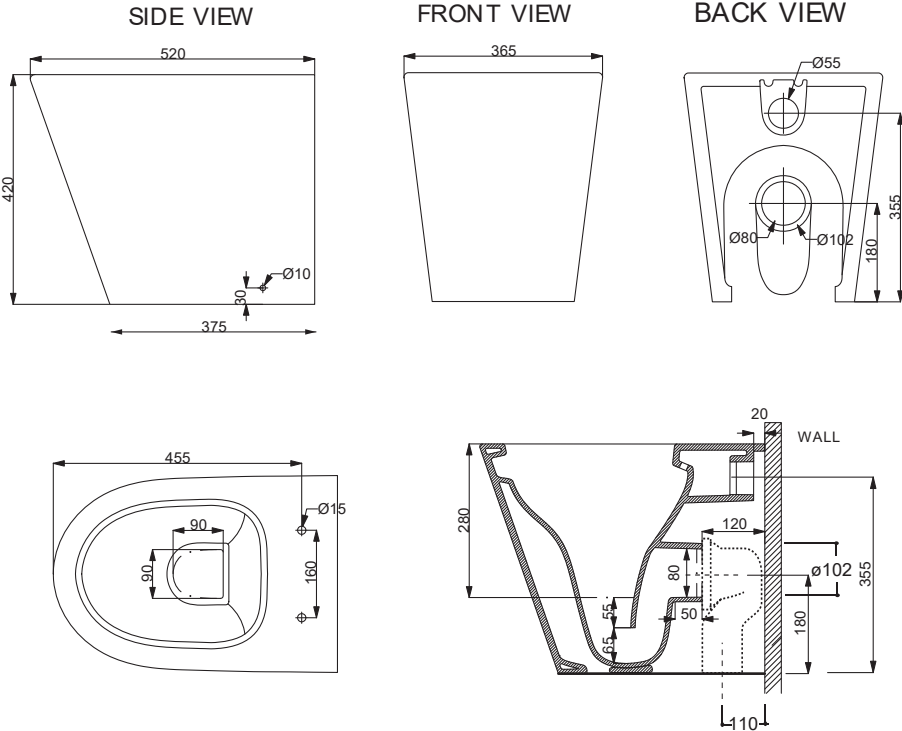
Connector, soft close seat and fixings included.

Rimless

Notes

Set out 110 mm (S-Trap)  
Suitable for S-Trap or P-Trap Installation.

Cleanmax nanotech anti-bacterial surface technology.

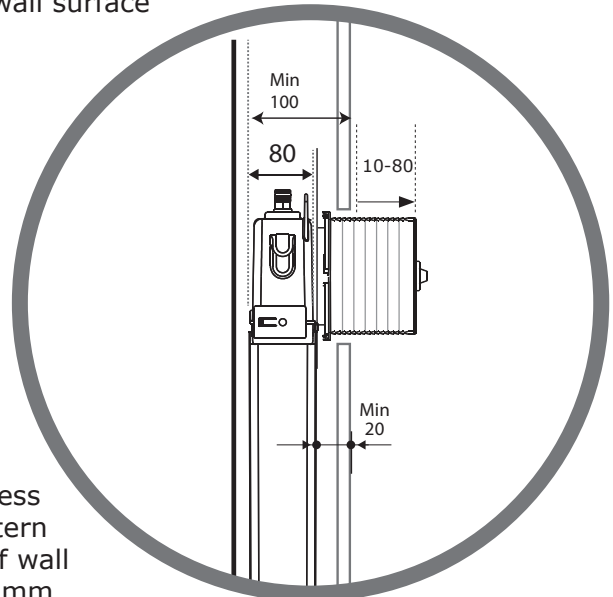


Note: All dimensions are in millimetres and subject to normal manufacturing variance. Studio Bagno Pty Ltd reserves the right to vary specifications at any time without notice. Date created: 18/03/21



Minimum of 100mm from rear of cistern to front edge of finished wall surface

Min. projection of 10mm - Max. projection of 80mm of tile flange box required prior to trimming to accommodate actuator.



**NOTE**  
See next page for compatible actuators

Minimum thickness from front of cistern to the front face of wall to be at least 20mm

## Oli-74 IN-WALL CISTERN

**STYLE**

In Wall Cistern

**CODE**

601602/MC  
(if used with mechanical actuators)

601602/PN  
(if used with pneumatic actuators)

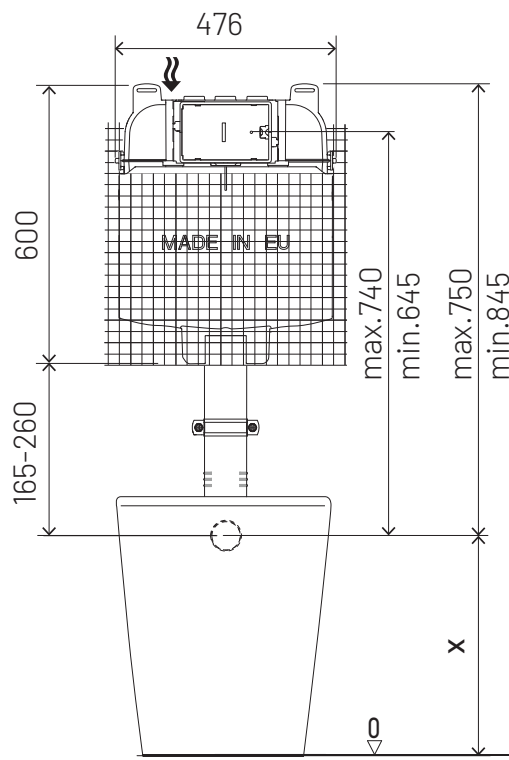
**WEIGHT**

3.5 kg

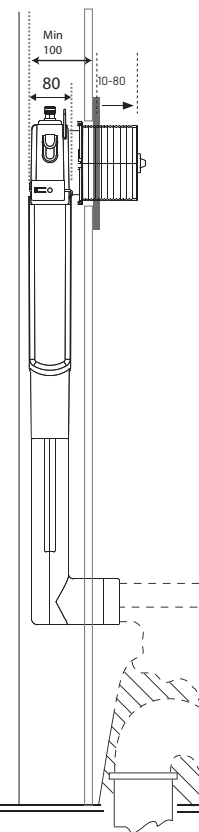
**FEATURES**

- Front access only
- Dual flush in-wall cistern with 4.5/3 litre flush
- 80mm min. wall cavity requirement
- 10 Year Warranty
- Manufactured in Europe
- Mechanical actuator kit included

Front View



Side View



**WELS RATING**



## COMPATIBLE ACTUATORS

Oli 74

IN-WALL CISTERN

## Cistern Code by Actuator

|   |   |   |  |   |   |
|---|---|---|--|---|---|
|    |    |    |     |    |  |
| GLAM  | GLOBE   | OCEANIA   | OCEANIA MIA  | PLAIN   | SLIM  |
| 601602/MC   | 601602/MC   | 601602/MC   | 601602/MC  | 601602/MC   | 601602/MC   |
|  |  |  |  |  |   |
| BLINK   | TREND   | SPHERA +  | SPHERA -   | KARISMA   |   |
| 601602/PN   | 601602/PN   | 601602/PN   | 601602/PN  | 601602/PN   |   |