



**STUDIO
BAGNO**



CLEANMAX
ANTI-BACTERIAL
SELF CLEANING GLAZE

MANHATTAN

STYLE

Wall Faced Pan

CODE

MAN002

WEIGHT

38.5 kg

COLOURS

White

INCLUSIONS

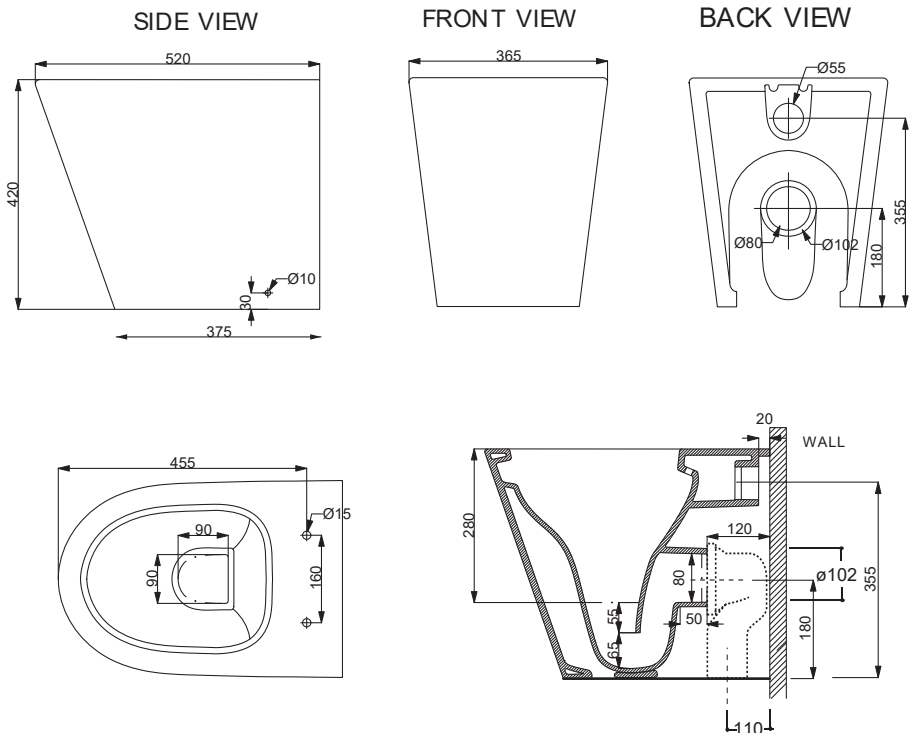
Connector, soft close seat and fixings included.

Rimless

Notes

Set out 110 mm (S-Trap)
Suitable for S-Trap or P-Trap Installation.

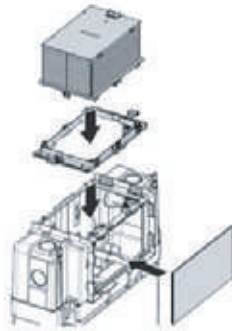
Cleanmax nanotech anti-bacterial surface technology.



Note: All dimensions are in millimetres and subject to normal manufacturing variance. Studio Bagno Pty Ltd reserves the right to vary specifications at any time without notice. Date created: 18/03/21



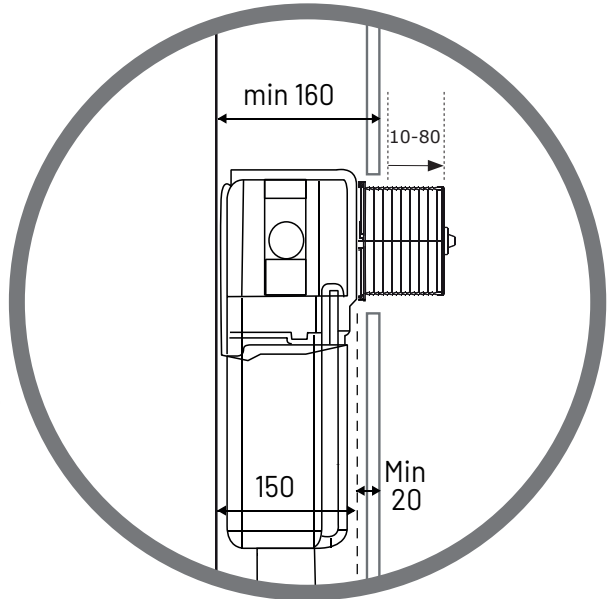
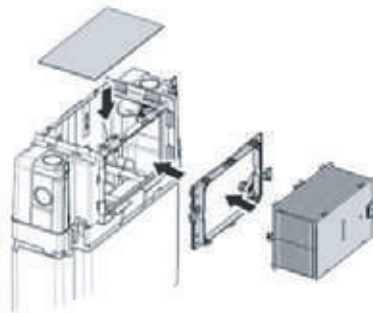
Top Access



Minimum of 160 mm from rear of cistern to front edge of finished wall surface

Min. projection of 10mm - Max. projection of 80mm of tile flange box required prior to trimming to accommodate

Front Access



NOTE

See next page for compatible actuators

Expert Evo

LOW LEVEL/
UNDER BENCH CISTERN

CODE

721006/PN
(if used with pneumatic actuators)

721006/MC
(if used with mechanical actuators)

WEIGHT

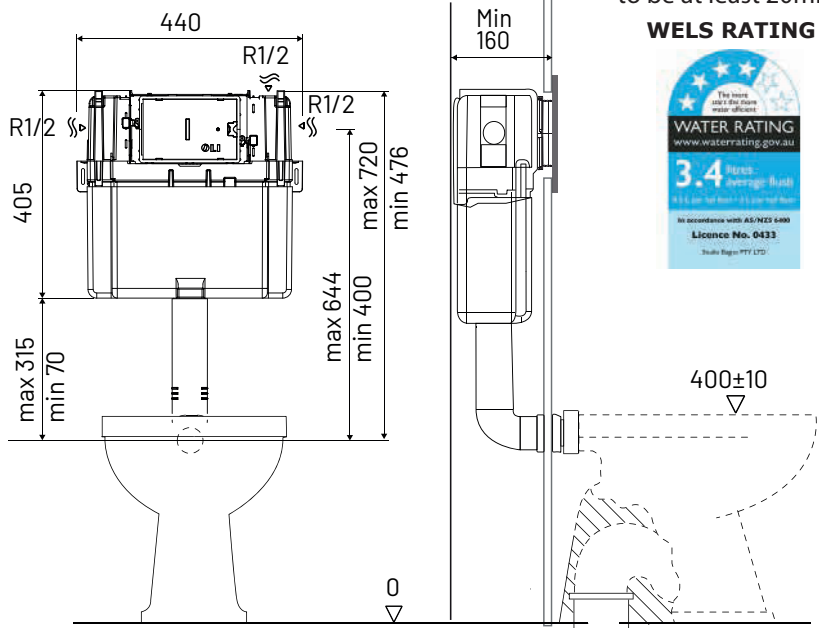
4.5 kg

FEATURES

- Dual flush under bench cistern with 4.5/3 litre flush
- 150 mm thickness
- 4-Star WELS rating
- Top or front activation/access
- Supplied with anti-condensation lining
- Stop Cock included
- Brackets for in-wall fixing
- Dust/Tiling protection box
- Protection sponge provided for flush pipe
- 1/2" Flexible hose connection
- 10 Year Warranty
- Manufactured in Europe
- Pneumatic actuator kit included

Minimum thickness from front of cistern to the front face of wall to be at least 20mm

WELS RATING



COMPATIBLE ACTUATORS

Expert Evo

LOW LEVEL/
UNDER BENCH CISTERN

UNDER BENCH CISTERN

Cistern Code by Actuator



GLAM

721006/MC



GLOBE

721006/MC



PLAIN

721006/MC



SLIM

721006/MC



BLINK

721006/PN



TREND

721006/PN



SPHERA +

721006/PN



SPHERA -

721006/PN



KARISMA

721006/PN