

# Bäumr-AG®



## ASC-170 Stair Climbing Trolley

### User Manual

[Revision 1.0]

---

READ THIS MANUAL CAREFULLY BEFORE USE – FAILURE TO DO SO MAY RESULT IN INJURY, PROPERTY DAMAGE AND MAY VOID WARRANTY. • KEEP THIS MANUAL FOR FUTURE REFERENCE. • Products covered by this manual may vary in appearance, assembly, inclusions, specifications, description, and packaging.

---

**THE BATTERY MAY HAVE SOME CHARGE ON ARRIVAL, IT IS IMPORTANT HOWEVER THAT THE BATTERY IS CHARGED PRIOR TO USE.**

# Safety

Safety messages are designed to alert you to possible dangers or hazards that could cause death, injury or equipment or property damage if not understood or followed. Safety messages have the following symbols:



You **WILL** be **KILLED** or **SERIOUSLY INJURED** if you do not follow instructions.



You **CAN** be **KILLED** or **SERIOUSLY INJURED** if you do not follow instructions.



You **CAN** be **INJURED** if you do not follow instructions or equipment damage may occur.

It is vital that you read and understand this user manual before using the product, including safety warnings, and any assembly and operating instructions. Keep the manual for future reference.

Safety precautions and recommendations detailed here must be fully understood and followed to reduce the risk of injury, fire, explosion, electrical hazard, and/or property damage.

Safety information presented here is generic in nature – some advice may not be applicable to every product. The term "equipment" refers to the product, be it electrical mains powered, battery powered or combustion engine powered.

- **Before Use** - If you are not familiar with the safe operation/handling of the equipment or are in any way unsure of any aspect of suitability or correct use for your application, you should complete training conducted by a person or organization qualified in safe use and operation of this equipment, including fuel/electrical handling and safety.
- Do NOT operate the equipment in flammable or explosive environments, such as in the presence of flammable liquids, gases, or dust. The equipment may create sparks or heat that may ignite flammable substances.
- Keep clear of moving parts.
- Equipment may be a potential source of electric shock or injury if misused.
- Do NOT operate the equipment if it is damaged, malfunctioning or is in an excessively worn state.
- Do NOT allow others to use the equipment unless they have read this manual and are adequately trained.
- Keep packaging away from children - risk of suffocation! Operators must use the equipment correctly. When using the equipment, consider conditions and pay due care to persons and property.

## General Work Area Safety

- Work areas should be clean and well lit.
- Do not operate the equipment if bystanders, animals etc are within operating range of the equipment or the general work area.
- If devices are provided for connecting dust extraction / collection facilities, ensure these are connected and used properly. Dust collection can reduce dust-related hazards.

## General Personal Safety

- Wear appropriate protective equipment when operating, servicing, or when in the operating area of the equipment to help protect from eye and ear injury, poisoning, burns, cutting and crush injuries. Protective equipment such as safety goggles, respirators, non-slip safety footwear, hard hat, hearing protection etc should be used for appropriate equipment / conditions. Other people nearby should also wear appropriate personal protective equipment. Do not wear loose clothing or jewellery, which can be caught in moving parts. Keep hair and clothing away from the equipment.
- Stay alert and use common sense when operating the equipment. Do not over-reach. Always maintain secure footing and balance.
- Do not use the equipment if tired or under the influence of drugs, alcohol, or medication.
- This equipment is not intended for use by persons with reduced physical, sensory, or mental capabilities.

## General Fuel Safety

- Petrol/fuel/gasoline is extremely flammable – keep clear of naked flames or other ignition sources.
- Do not spill fuel. If you spill fuel, wipe it off the equipment immediately – if fuel gets on your clothing, change clothing.
- Do NOT smoke near fuel or when refuelling.
- Always shut off the engine before refuelling.
- Do NOT refuel a hot engine.
- Open the fuel cap carefully to allow any pressure build-up in the tank to release slowly.
- Always refuel in well-ventilated areas.
- Always check for fuel leakage. If fuel leakage is found, do not start, or run the engine until all leaks are fixed.

## General Carbon-Monoxide Safety

- Using a combustion engine indoors **CAN KILL IN MINUTES**. Engine exhaust contains carbon-monoxide – a poison you cannot smell or see.
- Use combustion engines **OUTSIDE** only, and far away from windows, doors, and vents.

## General Equipment Use and Care

- Keep packaging away from children and pets, potential risk of suffocation or choking.
- The equipment is designed for domestic use only.
- Handle the equipment safely and carefully.
- Before use, inspect the equipment for misalignment or binding of moving parts, loose components, damage, or any other condition that may affect its operation. If damaged, have the equipment repaired by an authorised service centre or technician before use.
- Prevent unintentional starting of the equipment - ensure equipment and power switches are in the OFF position before connecting or moving equipment. Do not carry equipment with hands or fingers touching any controls. Remove any tools or other items that are not a part of the equipment from it before starting or switching on.
- Do not force the equipment. Use the correct equipment for your application. Equipment will perform better and be safer when used within its design and usage parameters.
- Use the equipment and accessories etc. in accordance with these instructions, considering working conditions and the work to be performed. Using the equipment for operations different from those intended could result in hazardous situations.
- Always keep equipment components (engines, hoses, handles, controls, frames, housings, guards etc) and accessories (cutting tools, nozzles, bits etc) properly maintained. Keep the equipment clean and, where applicable, properly lubricated.
- Store the equipment out of reach of children or untrained persons. To avoid burns or fire hazards, let the equipment cool completely before transporting or storing. Never place or store the equipment near flammable materials, combustible gases, or liquids etc.
- The equipment is not weather-proof, and should not be stored in direct sunlight, at high ambient temperatures or locations that are damp or humid.
- Do not clean equipment with solvents, flammable liquids, or harsh abrasives.
- For specific equipment safety use and care, see Equipment Safety.

**General Electrical Safety**

- Inspect electrical equipment, extension cords, power bars, and electrical fittings for damage or wear before each use. Repair or replace damaged equipment immediately.
- Ensure all power sources conform to equipment voltage requirements and are disconnected before connecting or disconnecting equipment.
- When wiring electrically powered equipment, follow all electrical and safety codes.
- Always use a Residual Current Device (RCD) (GFCI) / Earth Leakage Circuit Breaker / Safety Switch when operating this item (electrical items only).
- High voltage / high current power lines may be present. Use extreme caution to avoid contact or interference with power lines. Electrical shock can be fatal.

**General Electrical Safety**

- Electrically grounded equipment must have an approved cord and plug and be connected to a grounded electrical outlet.
- Do NOT bypass the ON/OFF switch and operate equipment by connecting and disconnecting the electrical cord.
- Do NOT use equipment that has exposed wiring, damaged switches, covers or guards.
- Do NOT use electrical equipment in wet conditions or in damp locations.
- Do NOT use electrical cords to lift, move or carry equipment.
- Do NOT coil or knot electrical cords, and ensure electrical cords are not trip hazards.

**General Service Information**

- The equipment must be serviced or repaired at authorised service centres by qualified personnel only.
- Replacement parts must be original equipment manufacturer (OEM) to ensure equipment safety is maintained.
- Do NOT attempt any maintenance or repair work not described in this manual.
- After use, the equipment and components may still be hot – allow the equipment to cool and disconnect spark plugs and/or electrical power sources and/or batteries from it before adjusting, changing accessories, or performing repair or maintenance.
- Do NOT adjust while the equipment is running.
- Perform service-related activities in suitable conditions, such as a workshop.
- Replace worn, damaged or missing warning/safety labels immediately.

**Child Choking Hazard!**

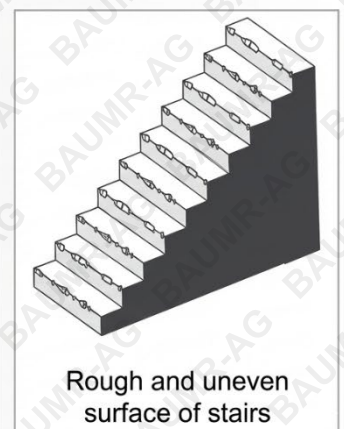
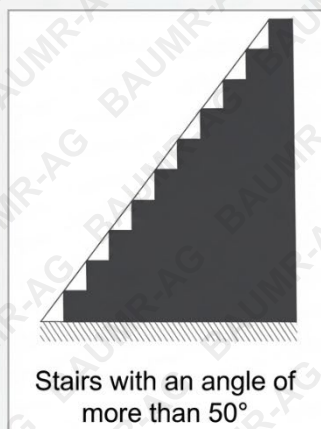
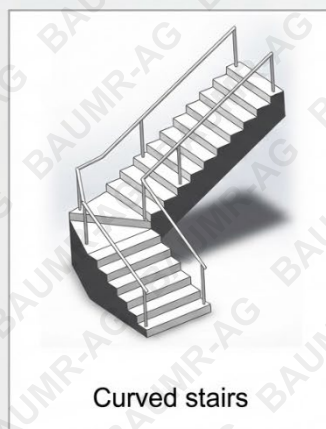


**• WARNING: CHOKING HAZARD - CHILDREN UNDER 8 YRS. CAN CHOKE OR SUFFOCATE ON SMALL PARTS. ADULT SUPERVISION REQUIRED.**

- Carefully inspect anything a baby or child could gain access to, including this product & packaging.
- Dangers include anything of a size that could become stuck or lodged in a baby or child's airway.
- Dangers include things like raw, hard fruit and vegetable pieces, large pieces of meat, bones or sausage skins, popcorn, nuts, hard lollies and corn chips, small magnets and batteries, coins, beads, marbles and small uninflated balloons, broken toys and smaller toys, buttons, keys, and coins. But there are also many more.
- Pay particular attention to accessories, nuts, bolts, screws, washers, caps, covers, loose parts, parts that could be removed or break off, pieces of packaging, staples, tape etc.
- In the case of any doubt, secure the item of concern in an appropriate manner, or completely remove the possibility of access by a baby or child.

**Safety Instructions**

- Before use, carefully read this manual and follow all instructions. Initial operation should be performed under the guidance of trained technical personnel. Operate the trolley independently only after correct operation has been confirmed.
- The maximum load capacity of this product is 159kg. Do not exceed this limit, as overloading may cause serious hazards.
- Do not use this product on:
  - Spiral staircases
  - Curved staircases
  - Staircases with an incline exceeding 50°
  - Steep slopes
  - Stairs with rough, uneven, slippery, oily, or wet surfaces























- Before each use, conduct safety checks, including the tracks, battery charge level, and all connection points.
- Use only the original battery supplied and charge it in a dry environment.

## ASC-170 Stair Climbing Trolley

- The battery is reusable. If replacement is required, contact the manufacturer for professional servicing.
- Do not open, modify, or replace the battery yourself. Dispose of used batteries in accordance with local waste disposal regulations.
- If the product malfunctions or is damaged, contact a service agent. Repairs must be performed by qualified maintenance personnel only.
- Do not force the product to operate if it is malfunctioning or excessively worn.
- Keep the product away from open flames and heat sources during use and storage.
- This product must only be operated by persons who have read the user manual and received proper operational training.
- Keep children, pets, and bystanders away from the product during operation.
- When climbing stairs with a load, secure the load using the safety belt to prevent tipping.
- Operators should preferably be under 50 years of age. Elderly or physically weak individuals must not operate this product.
- Driving diagonally up or down stairs is strictly prohibited.
- During operation, keep both hands on the handle at all times.
- Always apply forward pressure on the handle to maintain overall balance.
- When ascending stairs without a load, keep an assistant positioned at the front of the trolley to help maintain balance.
- When ascending stairs, tilt the trolley slightly and apply firm downward pressure on the handle.
- Pay close attention to the rear wheels when ascending and the front wheels when descending.
- Pause briefly at the first one or two steps before descending to allow the tracks to fully engage and stabilise.
- In the event of an emergency stop or temporary pause during stair climbing, ensure the tracks are in contact with three steps simultaneously, then switch off the emergency power.
- When descending stairs:
  - Keep the front wheels as far from the stair edge as possible
  - If the front wheels contact the ground, support the handle with both hands
  - Press the DOWN button and maintain balance at all times
- When reaching the final step during ascent, continue pressing the UP button with your right hand and support the handle with your left. Once all wheels are on level ground, immediately move the trolley away from the stair edge.
- Do not operate the product except in emergency situations. If the load exceeds 80 kg, an additional assistant is recommended.
- To ensure safe operation and extend service life, perform daily maintenance and regular inspections.
- If personal injury occurs due to failure to follow operating instructions (and not due to mechanical failure), the operator assumes full responsibility.
- **WARNING! NEVER LEAVE A PASSENGER UNATTENDED ON THE MOTORISED STAIR CLIMBING TROLLEY. ALWAYS USE THE SAFETY RESTRAINTS.**
- **WARNING! AVOID RAPIDLY CHANGING THE POSITION OF THE TROLLEY, AS THIS MAY CAUSE INJURY TO THE PASSENGER. ALWAYS SUPPORT THE TROLLEY WHILE ADJUSTING THE HANDLES.**
- **WARNING! IMPROPER MAINTENANCE MAY RESULT IN INJURY. MAINTAIN THE MOTORISED STAIR CLIMBING TROLLEY ONLY AS DESCRIBED IN THIS MANUAL.**

# Safety Symbols

The product may have safety warning labels attached to it, explained below. Understand the symbols on your product and their meanings. If any stickers become unreadable, unattached etc., replace them.

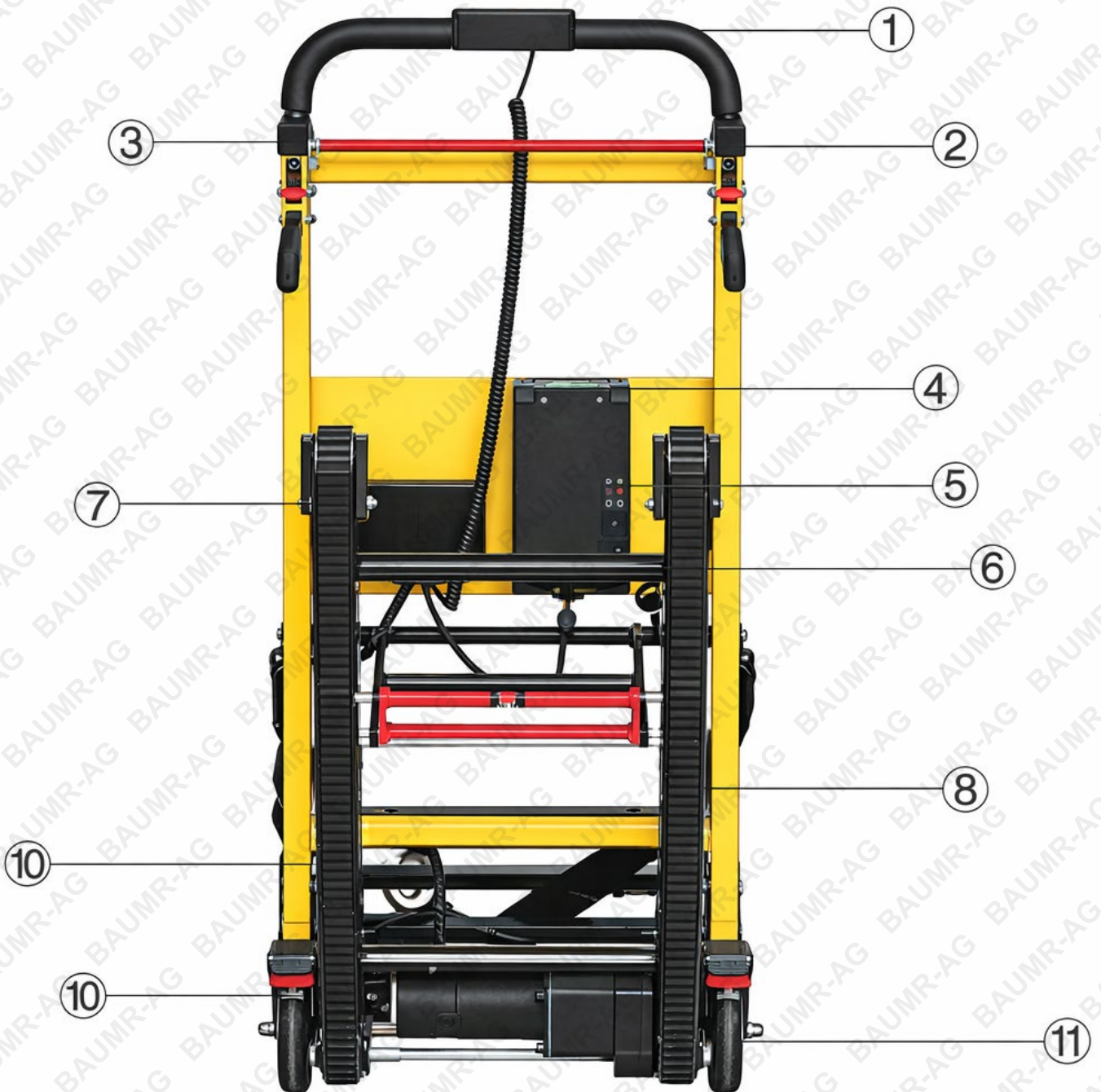
 <p><b>Flammable Material Hazard</b> Flammable liquids, gases, or substances etc may present. Avoid ignition sources and open flames. Danger of fire.</p>	 <p><b>Read User Manual</b> Read and fully understand product safety warnings, operation, procedures etc before using the product.</p>	 <p><b>Use Hand Protection</b> Wear appropriate hand protection and take due care as the product or use of the product may present hand hazards.</p>	 <p><b>Carbon-Monoxide Hazard</b> Do not use the product in confined areas or without adequate ventilation. Carbon-monoxide poisoning can be fatal.</p>
 <p><b>Electrocution / Electrical Shock Hazard</b> High voltage or high current electricity may be present or required by the product. Take due care when handling electrical products, cables, plugs and leads. Electrical shock can be fatal.</p>	 <p><b>Toxic Fumes / Dust Hazard</b> Using the product or by-products from use may produce fumes, smoke or particles that could be harmful if inhaled. Wear appropriate breathing protection and have adequate ventilation.</p>	 <p><b>Explosive Material Hazard</b> Combustible liquids, gases, or substances etc may be present. Avoid ignition sources and open flames. Danger of explosion.</p>	 <p><b>Cutting / Amputation Hazard</b> The product may have blades, edges or mechanical devices that can cause severe cut injury to fingers, limbs etc. Take due care when handling and using the product.</p>
 <p><b>Crush Hazard</b> The product may have blades, edges or mechanical devices that can cause severe crush injury to fingers, limbs etc. Take due care when handling and using the product.</p>	 <p><b>Single Operator Only</b> The product must be operated by a single person only. More than one person operating the product may introduce additional hazards.</p>	 <p><b>Use Face Protection</b> Wear appropriate full-face protection and take due care as the product or use of the product may present face and eye hazards.</p>	 <p><b>Use Foot Protection</b> Wear appropriate foot protection and take due care as the product or use of the product may present foot hazards.</p>
 <p><b>Use Eye / Ear / Head Protection</b> Wear appropriate eye and / or ear and / or head protection and take due care as the product or use of the product may present eye, hearing, and head hazards.</p>	 <p><b>Running Hazard</b> Do not run on or near the product as doing so may present a fall hazard.</p>	 <p><b>Diving Hazard</b> Do not dive into the product as doing so may present a neck / head injury hazard.</p>	 <p><b>Adult Supervision Required</b> Always supervise children and other users of a product to prevent drowning or injury.</p>
 <p><b>Skin Penetration / Puncture Hazard</b> The product may produce pressure, emit liquids or objects that can cause severe injury to fingers, limbs, blood etc. Take due care when handling and using the product.</p>	 <p><b>Hot Surface Hazard</b> Be aware that the product may produce high temperatures and hot surfaces that can cause burn injuries.</p>	 <p><b>Flying Debris Hazard</b> Be aware that the product or use of the product may present hazards produced by flying debris. Wear appropriate clothing and protective devices.</p>	 <p><b>Moving Parts Hazard</b> Be aware that the product contains or uses mechanical devices that move or rotate. Always wait for moving parts to stop fully before handling the product, adjusting, maintenance etc.</p>

 <p><b>Carbon-Monoxide Hazard</b> Do not use the product in confined areas or without adequate ventilation. Carbon-monoxide poisoning can be fatal.</p>	 <p><b>Pull Hazard</b> Be aware that the product contains or uses mechanical devices that can pull in objects and can cause severe injury to fingers, limbs etc. Take due care when handling and using the product.</p>	 <p><b>Slope / Fall Injury Hazard</b> Be aware that using the product on sloping surfaces or in slippery conditions may present additional dangers from falls and contact with blades, moving parts, hot surfaces etc.</p>	 <p><b>"Slam Dunk" Warning</b> Do NOT attempt "slam dunk" manoeuvres as this may result in severe injury due to falling, product breakage or collapse etc.</p>
 <p><b>Electrocution / Electrical Shock Hazard - Outdoor</b> High voltage or high current electricity may be present or required by the product. Do NOT use in rain, damp, or wet conditions. Electrical shock can be fatal.</p>	 <p><b>Electrocution / Electrical Shock Hazard - Disconnect</b> High voltage or high current electricity may be present or required by the product. Always disconnect the product from the electrical supply before handling the product, adjusting, maintenance etc.</p>	 <p><b>Power Line Electrocution Hazard</b> High voltage / high current power lines may be present. Use extreme caution to avoid contact or interference with power lines. Electrical shock can be fatal.</p>	 <p><b>"Kick-Back" Hazard</b> High level of "kick-back" hazard that can cause the machine to suddenly rotate towards operator. Kick-back injury can be fatal.</p>
 <p><b>Winch Operator Position Hazard</b> Do NOT stand between winch and load. Do NOT use winch to move people.</p>	 <p><b>Winch Lift Hazard</b> Do NOT LIFT load vertically. Use machine to PULL only.</p>	 <p><b>Cable Hazard</b> Ensure that load bearing cable is not kinked or knotted.</p>	 <p><b>Winch Cable Hazard</b> Ensure that there is a minimum number of cable coils on winching mechanism.</p>
 <p><b>Winch Hook Hazard</b> Carry hook to load – do NOT throw or run.</p>	 <p><b>Flash / Blinding Hazard</b> Wear appropriate eye protection for welding. Direct exposure to weld arcs may cause permanent eye injury.</p>	 <p><b>Laser Hazard</b> Laser may be in use – do NOT look directly at laser or allow others to.</p>	 <p><b>Choking Hazard</b> Children under 8 yrs. Can choke or suffocate on small parts. Adult supervision required.</p>

# Table of Contents

<b>Safety</b> .....	<b>2</b>
Safety Symbols .....	5
<b>Parts Identification</b> .....	<b>8</b>
<b>Assembly</b> .....	<b>9</b>
Battery Installation .....	9
Battery Power Check and Charging .....	10
Equipment Unfolding and Adjustment .....	11
<b>Operation</b> .....	<b>14</b>
Operation Method for Stair Climbing .....	14
Explanation of Controller Buttons .....	14
Operating Instructions for Going Upstairs .....	15
Operating Instructions for Going Downstairs .....	16
Transportation and Storage Conditions .....	17
<b>Lithium Battery Care and Maintenance</b> .....	<b>18</b>
Top 3 Battery Care Requirements .....	18
<b>Maintenance</b> .....	<b>20</b>
General Maintenance .....	20
Maintenance Inspection Guide .....	20
<b>Specifications</b> .....	<b>21</b>

# Parts Identification



No.	Name	No.	Name
1	Control Panel	7	Control Circuit Board
2	Adjustable Yoke	8	Track Assembly
3	Handle	9	Electric Motor
4	Battery Status Indicator	10	Foldable Support Plate
5	Lithium Battery	11	Rear Wheel (100 mm)
6	Power Switch		

# Assembly

## Battery Installation

### Battery Alignment

1. Keep the trolley in the folded position and place it on a flat surface.
2. Remove the battery and align the battery slot with the installation guide slot on the trolley body.



### Battery Installation

1. Insert the battery into the battery slot on the trolley body.
2. Connect the power cable and securely tighten the retaining nut.



## Battery Power Check and Charging

### Power Check

1. Turn the key to the ON position.
2. Press the white button on the battery indicator.

The green indicator lights show the remaining battery charge:

- 1 light: 30% power
- 2 lights: 50% power
- 3 lights: 100% power
- Red light: Less than 10% power remaining



### Charging

1. Ensure the power is switched OFF before charging.
2. Insert the charger plug into the battery charging port, then connect the charger to a mains power outlet.
3. Once charging is complete, disconnect the charger from the battery before using the trolley.



## Equipment Unfolding and Adjustment

### Frame Unfolding

1. Loosen the knobs on both sides of the main frame base.
2. The frame can then be unfolded into the operating position.



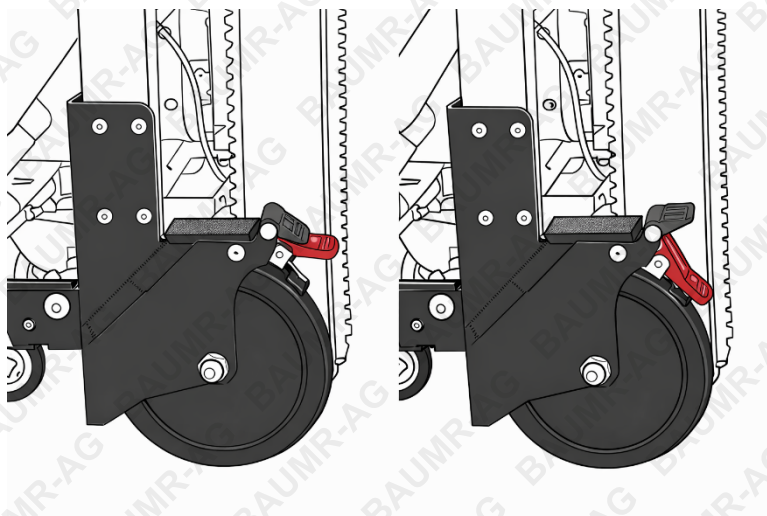
### Armrest Deployment and Retraction

1. Lift the armrest upward until it locks into the slot to deploy it.
2. To retract the armrest, press and hold the red button while lowering the armrest.



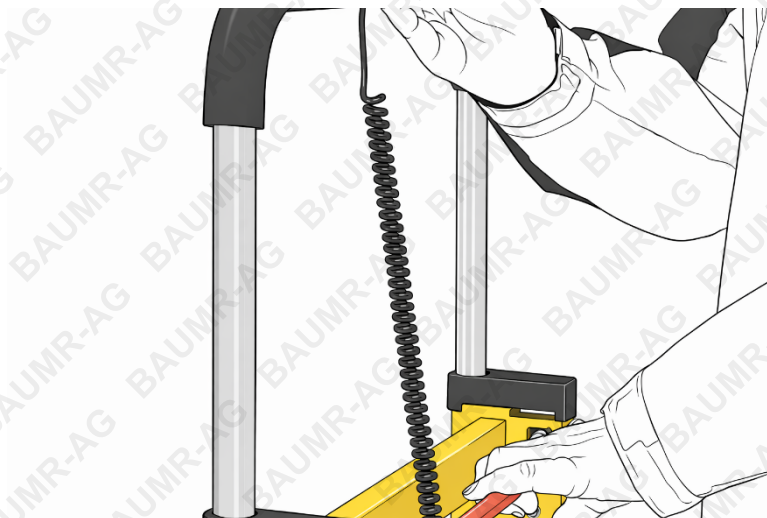
## Braking

1. Press the red button to engage the brake.
2. Press the grey button to release the brake.



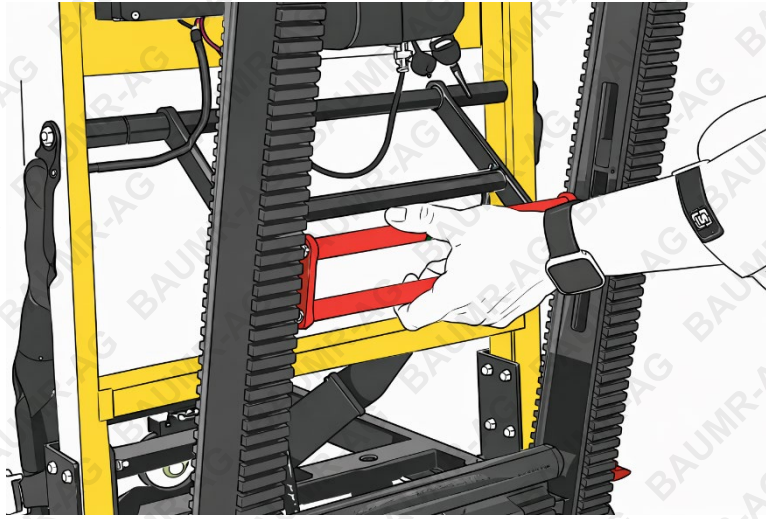
## Backrest Bar Height Adjustment

1. Press and hold the red crossbar while raising or lowering the backrest bar to adjust the height.
2. Three height positions are available.



## Track Frame Deployment

Press the red crossbar to deploy or retract the track frame.

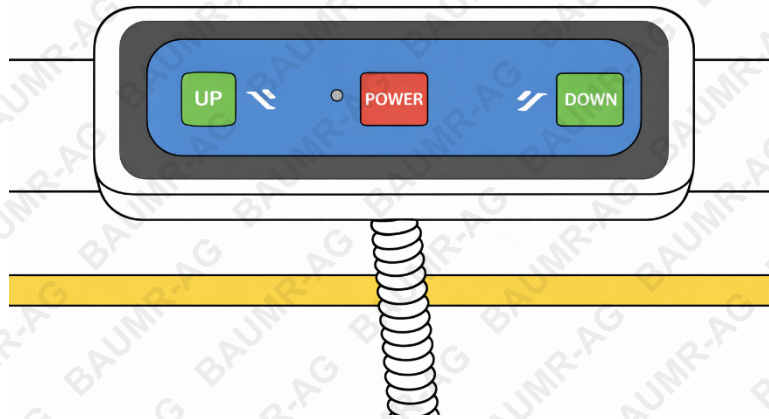


# Operation

## Operation Method for Stair Climbing

### Power and Controller Activation

1. Turn the key to the ON position to switch on the battery power.
2. Press the red button on the control panel to activate the controller.



## Explanation of Controller Buttons



### Power Button

Turns the controller on or off.



### Up Button

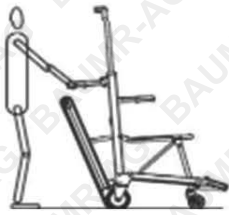
Activates stair climbing in the upward direction.



### Down Button

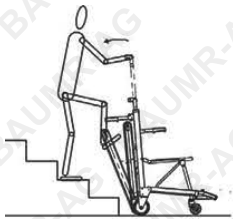
Activates stair climbing in the downward direction.

## Operating Instructions for Going Upstairs



### 1. Extend the trolley tracks as shown in the diagram.

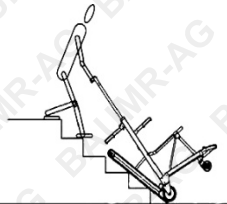
Ensure the battery power is switched ON and adjust the handle to a suitable height.



### 2. Position the trolley so the tracks are vertically aligned with the stair edge.

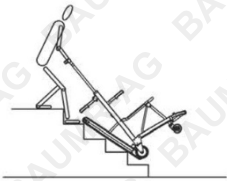
When the rear wheels are 30–40 cm from the first step, stand on the second step with your left foot.

Press down on the track groove bar with your right foot while pulling the handle towards you until the tracks contact the stairs.



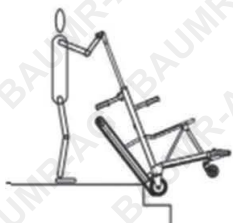
### 3. Hold the handle firmly with both hands and lift the trolley slightly to maintain balance.

Press and hold the UP button and move upward at a pace matched to the trolley's climbing speed.



### 4. To stop midway, release the UP button.

**Note: The tracks must be in contact with three steps simultaneously before you release your grip.**



### 5. When approaching the final two steps, hold the handle at chest height and continue pressing the UP button.



### 6. The trolley can be fully levelled only once the front wheels reach the platform.

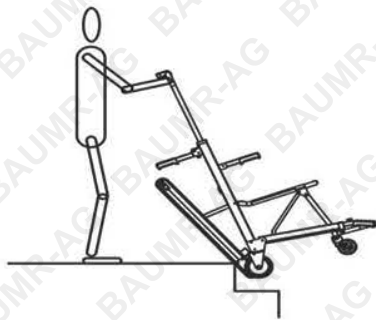
Release the UP button, step on the track groove bar with your right foot, and slowly push the handle forward until the front wheels rest on the ground.

## Operating Instructions for Going Downstairs

1. Move the trolley to the stair edge so the front wheels are just inside the edge.
2. Step on the track groove bar with your right foot to deploy the tracks.
3. Pull the handle backward with both hands, tilt the trolley to the correct angle, and press and hold the DOWN button.



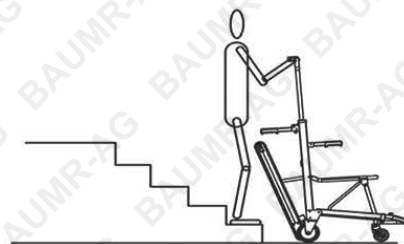
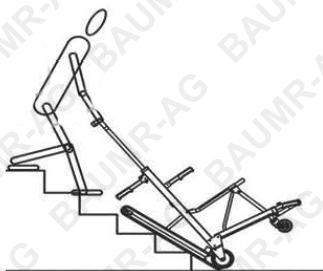
4. Allow the trolley to move slowly down the first step while maintaining the stair angle.
5. Gradually tilt the trolley until the tracks align with the angle of the stairs.



6. While descending, apply downward pressure on the handle to maintain balance and reduce impact.
7. To stop midway, release the DOWN button.

**Note: The tracks must contact three steps simultaneously before releasing your grip.**

8. When the rear wheels reach the floor landing, release the DOWN button and slowly lift the trolley until the front wheels touch the ground.



**Note: Diagrams are for reference only and do not show a load.**

## Transportation and Storage Conditions

### Transportation:




Avoid impact, strong vibration, direct sunlight, and exposure to rain.

### Storage:

- Store in a dry, cool, well-ventilated area free from corrosive gases.
- Recommended relative humidity: below 80%.

# Lithium Battery Care and Maintenance

## Top 3 Battery Care Requirements

1. **Charge battery before first use.** The battery may arrive with some charge, regardless of this the battery must be charged on the initial charge and for each subsequent charge. 
2. **Charge battery immediately when it is depleted.** Do not store a depleted battery. This will permanently impact the life of the battery. If the battery is going to be stored for a period of time, fully charge the battery before storing. 
3. **Disconnect battery when not in use.** To prolong the life of a battery, disconnect it from the unit when not in use. Disconnect chargers from the battery once charged. 

To ensure the battery maintains optimum performance, follow the guidelines outlined below.

- For best results, charge batteries in temperatures between 10°C and 30°C
- When battery is charged, disconnect the charger from the power supply and remove the battery from the charger.
- If a battery is stored or otherwise unused for an extended period, and the battery has no charge remaining when you check it, consider it to be damaged. Do not attempt to recharge it or to use it. Replace it with a new battery.
- Use only with the battery charger specified by the manufacturer.
- Ensure that the battery charger electrical cord is not subjected to damage or stress. Do not operate the battery charger if it has a damaged electrical cord or plug.
- Do not use the charger in wet areas or expose it to rain or water.
- The typical estimated life of a Lithium-Ion battery is about two to three years or 300 to 500 charge cycles, whichever occurs first. One charge cycle is a period of use from fully charged, to fully discharged, and fully recharged again.
- Explosion hazard – protect the battery against heat, for example, direct sunlight and fire. Do not store batteries in vehicles or locations subject to heat.
- Batteries can explode in the presence of an ignition source, such as a pilot light. To reduce the risk of serious personal injury, never use any cordless product in the presence of open flame. Exploding batteries can propel debris and chemicals.
- Do not open the battery – danger of short-circuiting and/or explosion.
- Do not attempt to destroy or disassemble the battery pack or remove any of its components.
- Do not touch the battery terminals with metal objects and/or body parts as short-circuit and/or personal injury may result.
- Explosion hazard – do not open and/or short-circuit the battery.
- Poison hazard – battery leakage (liquid ejection). Under extreme conditions, liquid may be ejected from the battery – avoid contact. If contact accidentally occurs, immediately seek medical attention, and flush with water. If liquid contacts eyes, immediately seek medical attention, flush with clean water for at least 10 minutes. Liquid ejected from the battery may cause irritation or burns.
- Dispose of non-serviceable batteries in an environmentally responsible manner and according to local regulations.

Failure to adhere to the requirements above may result in the battery becoming inoperative or battery life being reduced. In extreme cases or abuse, battery overheating, or fire may result.

## **DANGER - BATTERY CHARGING, USE AND STORAGE**

Like mobile phones, laptops, cordless vacuum cleaners etc, this product may contain or be related to a lithium ion battery pack (lithium ion batteries and lithium ion battery related items only). Lithium ion batteries allow fast charging and high capacities, however care must be taken to reduce chances of a fault, and increase safety in case a fault occurs. Catastrophic incidents involving lithium ion batteries have a tendency to result in large amounts of smoke and fire. Be sure to follow the points below to reduce the likelihood of danger whenever you use, charge or store any lithium ion battery.

- Never charge a battery that has been damaged or subjected to a forceful impact.
- Never charge a battery that has been exposed to moisture or water.
- Never charge a battery with a charger that wasn't supplied with the battery.
- Never use a battery in a device that it wasn't specifically designed for.
- Never use a battery with a modified or damaged device.
- Never modify the battery, product, charger, circuitry or wiring.
- Never charge a battery in an exit path that may be used by people to leave a room or building in case of an emergency, for example, the hallway or foyer of a residence.
- Never charge a battery in an area or building that doesn't have the recommended number of working smoke detectors that have been tested in accordance with local guidelines.
- Never charge a battery when the battery or charger is displaying a problem or charging incorrectly.
- Always charge batteries on a non-combustible surface, for example, on a concrete floor.
- Always charge batteries at least 3m away from anything combustible, such as floors, wall surfaces, furniture, storage shelves etc.
- Always charge batteries in an open area (outside if possible) ensuring the battery and charger are away from moisture and water.
- Always disconnect batteries from the charger after charging.
- Always remove or disconnect batteries from the device/product when not in use.
- Always ensure batteries are charged under adult supervision. Do not charge unattended. Do not charge batteries while no one is home or while people are sleeping.
- Keep batteries away from heat and moisture.
- Damaged batteries should be disposed of through your local e-waste collection service.
- Avoid mixing and matching chargers. Unplug products when fully charged, and charge batteries in a cool, dry place away from combustible materials like beds, lounges, or carpet.
- During charging and use, check your lithium-ion batteries for overheating, signs of swelling, leaking, or venting gas. Immediately stop using your product if these signs are present.
- Allow batteries to cool after use and before charging.

# Maintenance

## General Maintenance

- Clean the motorised stair climbing trolley and its components using a clean cloth or a soft brush with warm, soapy water.
- Rinse with clean warm water and allow to air dry.
- Do not clean using products containing bleach or phenol.
- A stiff-bristled brush may be used if necessary.
- Carry out regular inspections, maintenance, and fault handling in accordance with the table below.

## Maintenance Inspection Guide

System / Section	Component	Inspection Scope	Action
<b>Electronic Control System</b>	Power switch	Normal operation	Replace
	Up/Down switch	Normal operation	Replace
	Parking brake switch	Normal operation	Replace
	Battery display	Normal operation	Replace
	Wiring harness	Broken or twisted wiring	Repair or replace
	Control box	Damage or connection failure	Repair or replace
<b>Driving Components</b>	Track	Cracking or severe wear	Replace
	Track	Sluggish movement	Adjust
	Track	Misaligned teeth	Adjust
	Motor	Abnormal noise	Replace
	Chain wheel	Damage	Replace
	Gear wheel	Damage	Replace
	Rear wheels	Wear or damage	Replace
<b>Handle Assembly</b>	Anti-tilt support	Smooth operation	Adjust
<b>Battery Box</b>	Battery casing	Damage	Repair or replace
	Charging socket	Damage	Replace
	Battery cell	Cracking or damage	Replace
<b>Charging Components</b>	Indicator lamp	Faulty	Replace
	Plug	Damage	Replace
<b>Other</b>	Screws and fasteners	Loose or missing	Tighten or reinstall

**Important: Do not attempt to handle faults or abnormal conditions if the cause is unknown. Improper handling may cause injury. Contact the supplier or service agent immediately.**

# Specifications

<b>Load Capacity</b>	159kg
<b>Power (Watts)</b>	120W
<b>Power Type</b>	Battery
<b>Battery Type</b>	Lithium Ion
<b>Battery Capacity</b>	13Ah
<b>Battery Voltage</b>	24V
<b>Maximum Incline</b>	≤50°
<b>Runtime</b>	Up to 4 hours
<b>Frame &amp; Chassis Material</b>	Aluminium alloy
<b>Corrosion Resistant</b>	Yes
<b>Finish</b>	Powder coated
<b>Track Width</b>	32 mm
<b>Front Wheels</b>	3"
<b>Rear Wheels</b>	5"



**Some experts believe that the incorrect or prolonged use of almost any product may cause serious injury or death. To help reduce your risk of serious injury or death, refer to the information below. For more information, see [www.datastreamserver.com/safety](http://www.datastreamserver.com/safety)**

- Consult all documentation, packaging, and product labelling before use. Note that some products feature documentation available online. It is recommended to print and retain the documentation.
- Before each use, check the product for loose/broken/damaged/missing parts, wear, or leaks (if applicable). Never use a product with loose/broken/damaged/missing parts, wear, or leaks.
- Products must be inspected and serviced (if applicable) by a qualified technician every 6 months. This is based on average residential use by persons of average size and strength, and on a property of average metropolitan size. Use beyond these recommendations may require more frequent inspections/servicing.
- Ensure that all users of the product have completed a suitable industry recognised training course before being allowed access to the product.
- The product has been supplied by a general merchandise retailer that may not be familiar with your specific application or description of application. Be sure to attain third-party approval from a qualified specialist for your application before use, regardless of any assurances from the retailer or its representatives.
- This product is not intended for use where fail-safe operation is required. As with any product (for example, automobile, computer, toaster), there is the possibility of technical issues that may require the repair or replacement of parts, or the product itself. If the possibility of such failure and the associated time it may take to rectify could in any way inconvenience the user, business, or employee, or financially affect the user, business, or employee, then the product is not suitable for your requirements. This product is not intended for use where incorrect operation or a failure of any kind, including but not limited to, a condition requiring product return, replacement, parts replacement, or service by a technician may cause financial loss, loss of employee time or an inconvenience requiring compensation.
- If this product has been purchased in error when considering the information presented here, contact the retailer directly for details of their returns policy, if required.

