

## 3-IN-1 BATHROOM HEATER EXHAUST FAN / LIGHT



**2**  
YEAR  
In-Home  
Warranty



**IPX2**  
Ingress  
Protection



Heat Tube



Ball Bearing  
DC Motor



High  
Extraction



Slimline  
Fitting



Tricolour  
LED



Class I

### Model Number

MBHLDC1000W

### Feature

- Sleek and low profile designed to suit any bathroom application
- High efficiency DC motor
- 3-in-1 bathroom heater features tricolour GU10 LED lamps with heat tube
- Steel housing with aluminium fascia
- Built in thermal overload protection
- Back draft stopper included
- Cut-out template included
- Compatible with Martec Bathroom Remote Control MBHRKIT (not included)

## SPECIFICATIONS

<b>Model Name</b>	Linux DC
<b>Model Number</b>	MBHLDC1000W Matt White
<b>Air Extraction m<sup>3</sup>/hr</b>	600m <sup>3</sup> /hr
<b>Exhaust Fan Wattage</b>	25W
<b>Voltage/Frequency</b>	220-240Va.c. 50-60Hz
<b>Materials / Housing</b>	Steel housing
<b>Cutout Size</b>	455 x 305mm
<b>Decibel Rating</b>	≤40dB
<b>IPX Rating</b>	IPX2
<b>Heating Wattage / Type</b>	1000W R7s heat tube 238mm
<b>Lighting Wattage / Type</b>	4x 6W GU10LED tricolour
<b>Colour Temperature</b>	3000K / 4000K / 5000K
<b>Lumens Output</b>	2400lm
<b>Minimum Ceiling Depth</b>	210mm
<b>Ducting Size</b>	150mm
<b>Accessories Included</b>	1x 3m duct 2x clips for ducting 1x external grille 1x 3 gang switch wall controller 1x heat tube 4x LED lamps

## AVAILABLE COLOURS



Model	Colour	Barcode
MBHLDC1000W	Matt White	

## SHIPPING

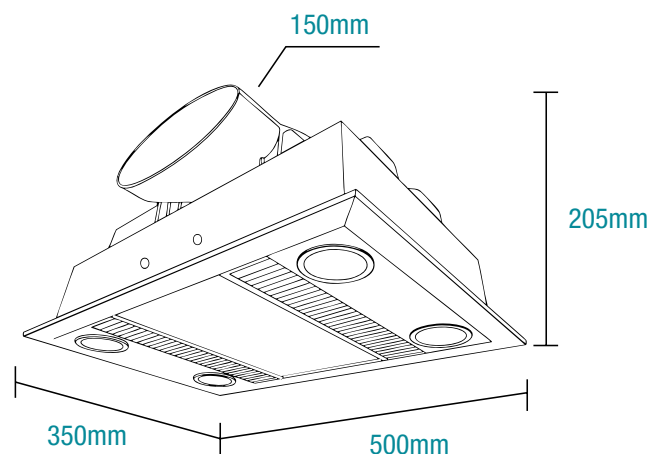
Model Number	Carton Size			Carton Quantity	Carton Gross Weight
	H	W	L		
MBHLDC1000W	250mm	405mm	685mm	2	8kg

## INSTALLATION

<b>Installation</b>	By Licensed electrician only
<b>Warranty</b>	2 Year In-Home Warranty

\*For further information regarding warranty terms and conditions, please visit our website: <https://www.martecaustralia.com.au/warranty-statement/>  
Warranty is void unless installed by a licensed electrician.

## DIMENSIONS



Aust/NZ Approval No.  
GMA-XXXXXX-XX