



MILADY WALL HUNG PAN

STYLE

WALL HUNG PAN (RIMLESS)

CODE

MIL003

COLOURS

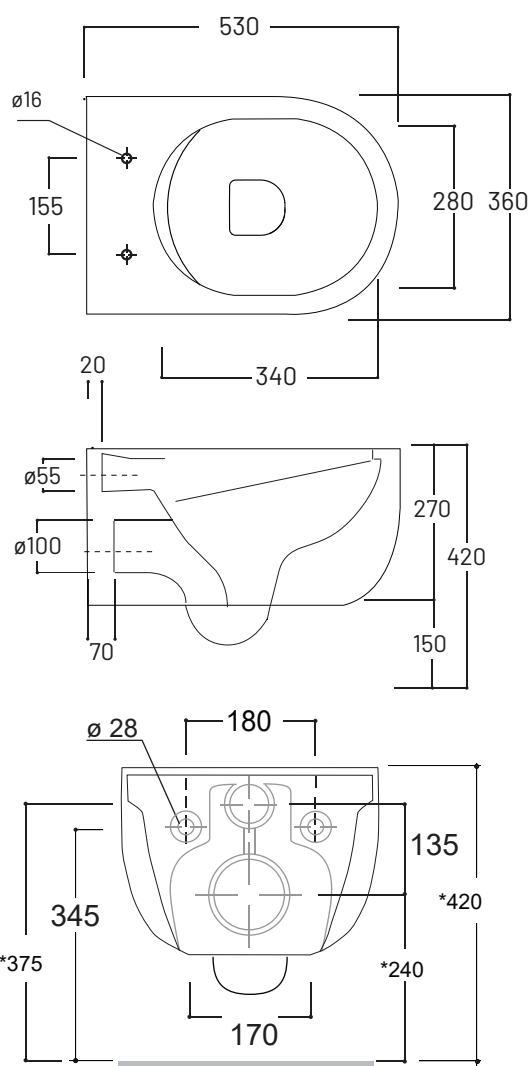
White + Premium Colours

INCLUSIONS

Connector, soft close seat and fixings included.

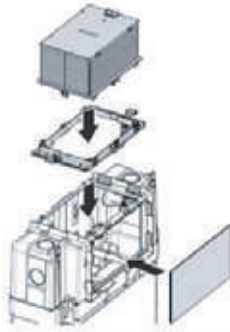
NOTES

WELS 4-STAR RATING





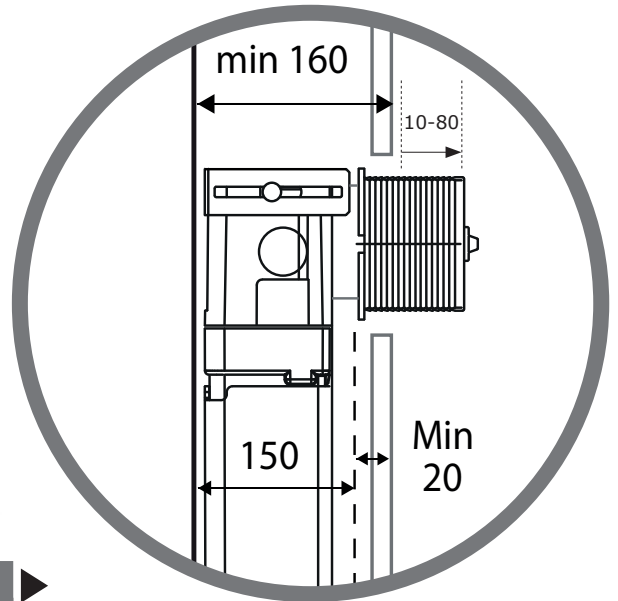
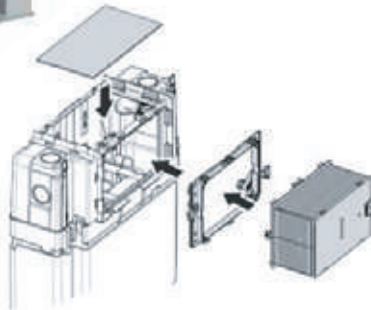
Top Access



Minimum of 160 mm from rear of cistern to front edge of finished wall surface

Min. projection of 10mm - Max. projection of 80mm of tile flange box required prior to trimming to accommodate actuator.

Front Access



Expert Evo

LOW LEVEL/UNDER BENCH CISTERN + FRAME

CODE

721706/PN

(if used with pneumatic actuators)

721706/MC

(if used with mechanical actuators)

WEIGHT

12 kg

FEATURES

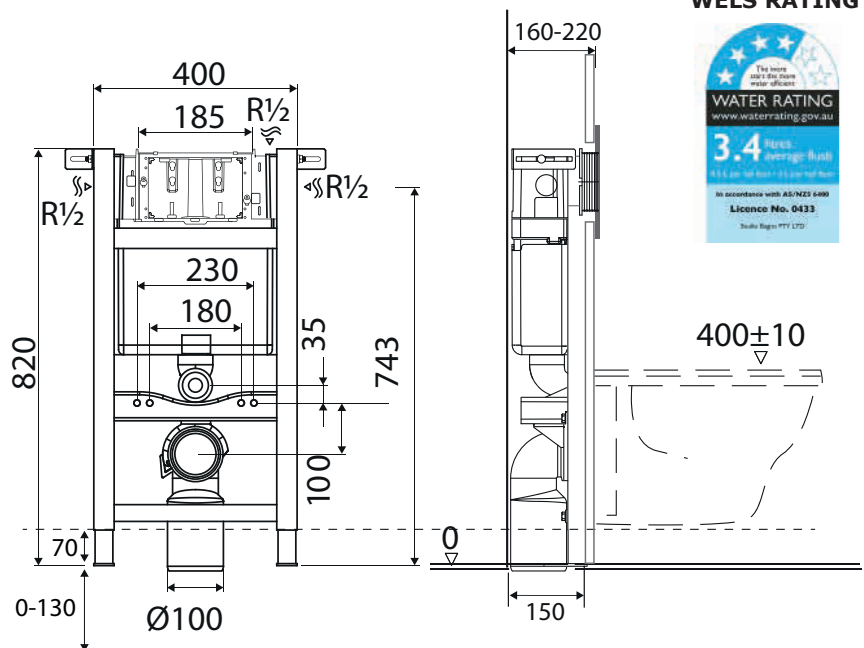
- Dual flush under bench cistern with 4.5/3 litre flush
- Min 150 mm cavity required for installation
- Top or front activation/access
- Supplied with anti-condensation lining
- Brackets for in-wall fixing
- Dust/Tiling protection box
- Protection sponge provided for flush pipe
- Kee seal and pan collar adaptor provided
- 1/2" Flexible hose connection with stop cock
- 10 Year Warranty
- Manufactured in Europe
- Pneumatic actuator included

NOTE

See next page for compatible actuators

Minimum thickness from front of cistern to the front face of wall to be at least 20mm

WELS RATING



COMPATIBLE ACTUATORS

Expert Evo

LOW LEVEL/UNDER BENCH
CISTERN + FRAME

Cistern Code by Actuator



GLAM

721706/MC



GLOBE

721706/MC



PLAIN

721706/MC



SLIM

721706/MC



BLINK

721706/PN



TREND

721706/PN



SPHERA +

721706/PN



SPHERA -

721706/PN



KARISMA

721706/PN