

MS08 ROUND KITCHEN SPOUT



meir®

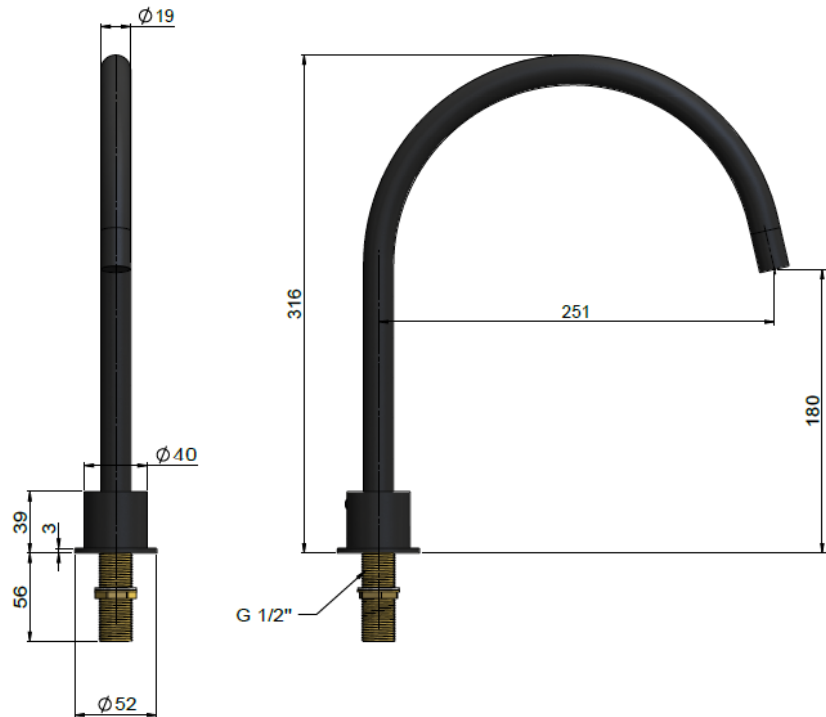
FEATURES

- Refer to the Meir website for warranty terms & conditions, and available finishes.
- Flow rate 7L p/m at 3 bar pressure.
- European components and cartridge
- Solid brass construction
- Box Weight 1kg
- 68mm long 1/2" threaded adapter included (for international regions only)

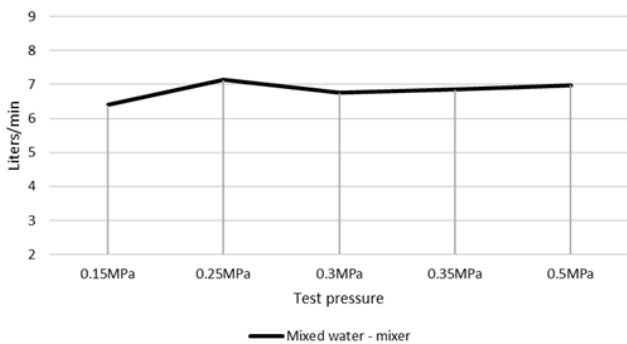
CARE

- Do not install tapware using any form of acetone silicones.
- Do not apply physical items (such as tools) directly to product.
- Never use house-hold or commercial detergents, citrus based cleaners, or abrasive cleaners.
- Clean using a mild washing soap solution rinsed, and dry with a soft cloth.
- Check for any product defects before installation.
- Refer to the installation manual for correct installation.

SPECIFICATIONS



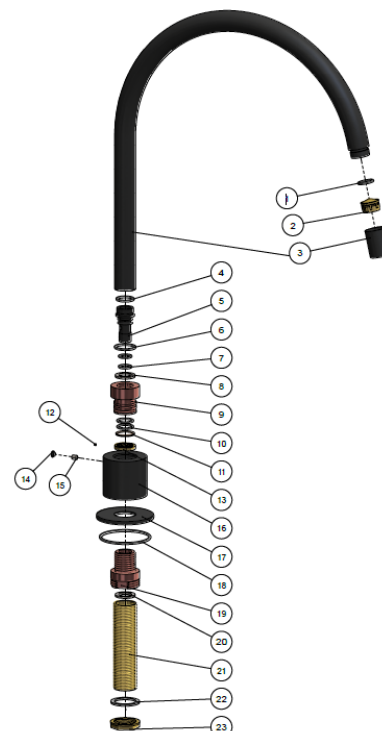
FLOW RATE GRAPH



CREDENTIALS

- Watermark AS/NZS3718WMKA25013
- 4-star WELS rated
- 6.5 litres p/minute
- WELS registration No: T41582

EXPLODED VIEW



| No. | PART NAME | Qty |
|-----|------------------|-----|
| 1 | O-ring | 1 |
| 2 | Basin Aerator | 1 |
| 3 | Spout | 1 |
| 4 | O-ring | 1 |
| 5 | Connector | 1 |
| 6 | O-ring | 2 |
| 7 | O-ring | 2 |
| 8 | Washer | 1 |
| 9 | Brass sleeve | 1 |
| 10 | O-ring | 2 |
| 11 | Wearing ring | 1 |
| 12 | Screw | 1 |
| 13 | Lock nut | 1 |
| 14 | Decorative Cover | 1 |
| 15 | Screw | 1 |
| 16 | Connector base | 1 |
| 17 | Back plate | 1 |
| 18 | O-ring | 1 |
| 19 | Connector | 1 |
| 20 | Flat Washer | 1 |
| 21 | Threaded tube | 1 |
| 22 | washer | 1 |
| 23 | Plastic Lock nut | 1 |