

# MS12N-SS316 OUTDOOR WALL SPOUT



# meir®

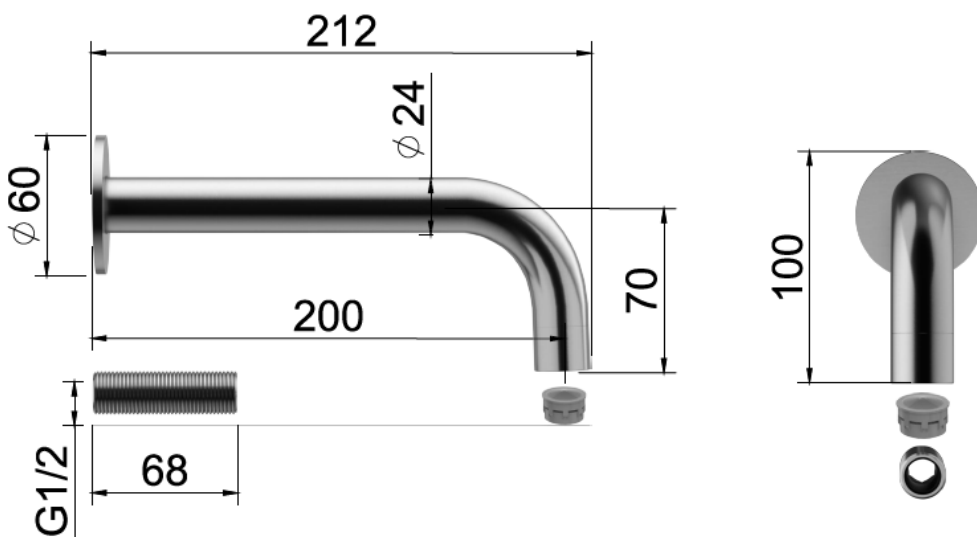
## FEATURES

- Refer to the Meir website for warranty terms & conditions.
- 316 Stainless Steel construction.
- Flow rate 3 l/min at 3 bar.

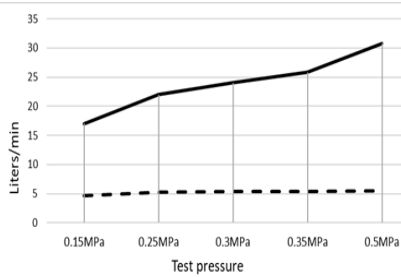
## CARE

- Do not install tapware using any form of acetone silicones.
- Do not apply physical items (such as tools) directly to the product.
- Never use house-hold or commercial detergents, citrus based cleaners, or abrasive cleaners.
- Clean using a mild washing soap solution. Rinse and dry with a soft cloth.
- Check for any product defects before installation.
- Refer to the Installation Manual for correct installation.

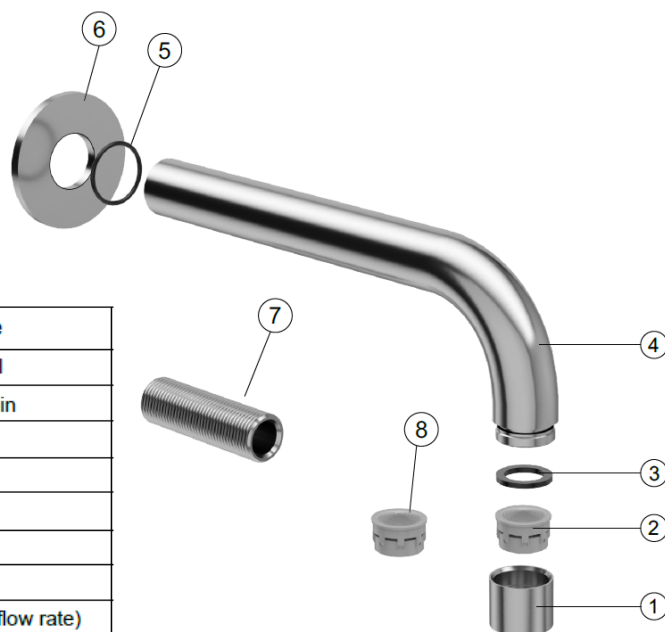
## SPECIFICATIONS



## FLOW RATE



## EXPLODED VIEW



NO.	Part Name
1	Aerator shell
2	Aerator 5-6L/min
3	Gasket
4	Spout
5	O-ring
6	Ring
7	Shank
8	Aerator (unrestricted flow rate)

## CREDENTIALS

- Watermark AS/NZS3718WMK080065
- 6-star WELS rated
- 4.5 litres p/minute
- WELS registration No: T42185