



## MILADY WALL FACED PAN

### STYLE

WALL FACED PAN (RIMLESS)

### CODE

MIL002

### COLOURS

White + Premium Colours

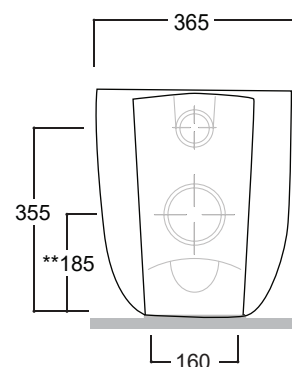
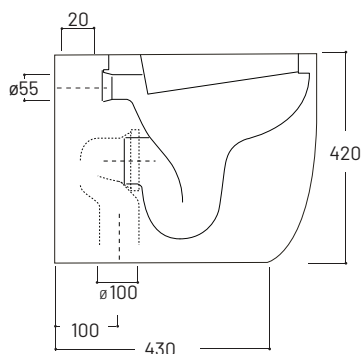
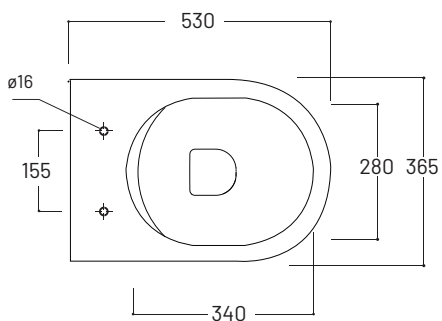
### INCLUSIONS

Connector, soft close seat and fixings included.  
S-trap connector supplied as standard.

### NOTES

Set out  
S-Trap: 100mm  
P-Trap: 185mm

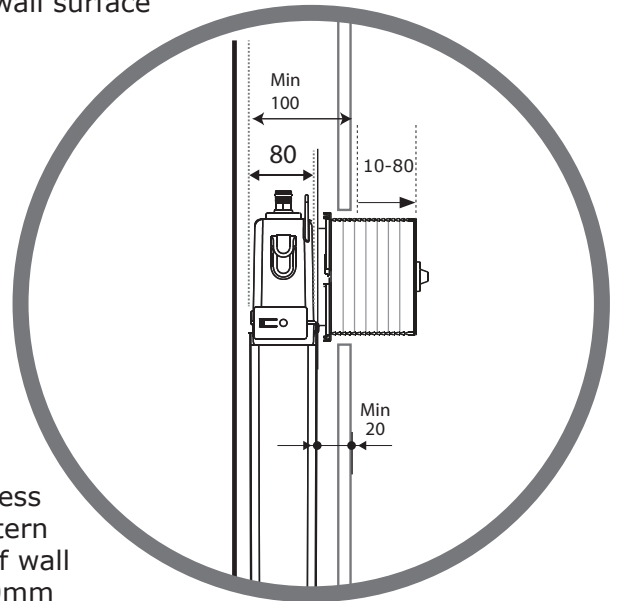
WELS 4-STAR RATING





Minimum of 100mm from rear of cistern to front edge of finished wall surface

Min. projection of 10mm - Max. projection of 80mm of tile flange box required prior to trimming to accommodate actuator.



Minimum thickness from front of cistern to the front face of wall to be at least 20mm

**NOTE**

See next page for compatible actuators

**Oli-74**  
**IN-WALL CISTERN**

**STYLE**

In Wall Cistern

**CODE**

601602/MC  
(if used with mechanical actuators)

601602/PN  
(if used with pneumatic actuators)

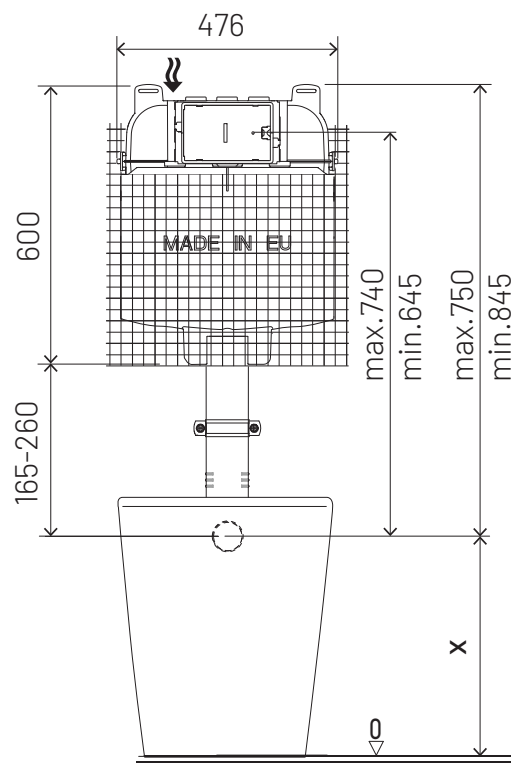
**WEIGHT**

3.5 kg

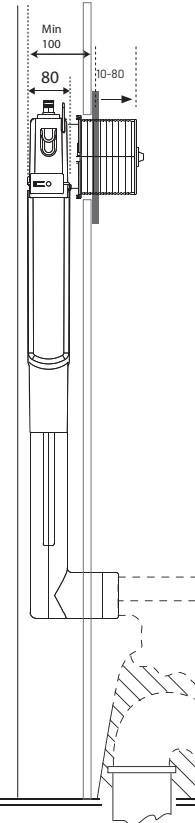
**FEATURES**

- Front access only
- Dual flush in-wall cistern with 4.5/3 litre flush
- 80mm min. wall cavity requirement
- 10 Year Warranty
- Manufactured in Europe
- Mechanical actuator kit included

Front View



Side View



**WELS RATING**



# COMPATIBLE ACTUATORS

## Oli 74 IN-WALL CISTERN

### Cistern Code by Actuator

					
GLAM	GLOBE	OCEANIA	OCEANIA MIA	PLAIN	SLIM
601602/MC	601602/MC	601602/MC	601602/MC	601602/MC	601602/MC
					
BLINK	TREND	SPHERA +	SPHERA -	KARISMA	
601602/PN	601602/PN	601602/PN	601602/PN	601602/PN	