



## MILADY WALL FACED PAN

### STYLE

WALL FACED PAN (RIMLESS)

### CODE

MIL002

### COLOURS

White + Premium Colours

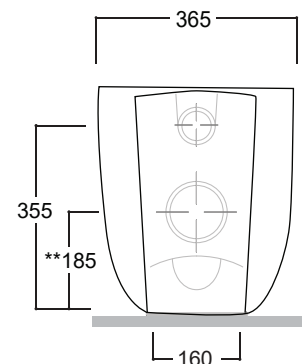
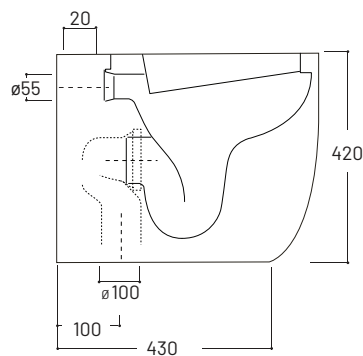
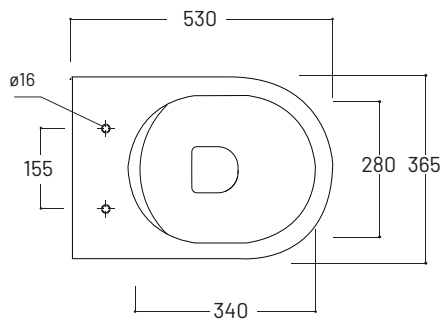
### INCLUSIONS

Connector, soft close seat and fixings included.  
S-trap connector supplied as standard.

### NOTES

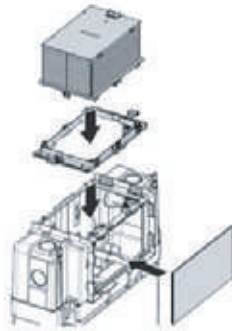
Set out  
S-Trap: 100mm  
P-Trap: 185mm

WELS 4-STAR RATING





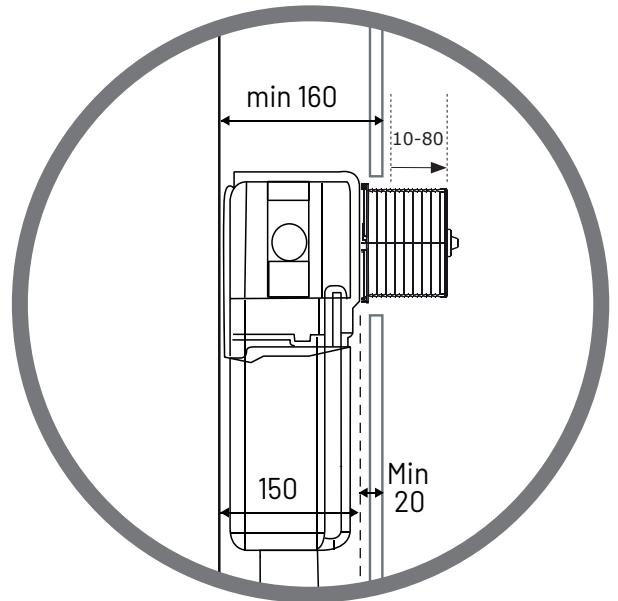
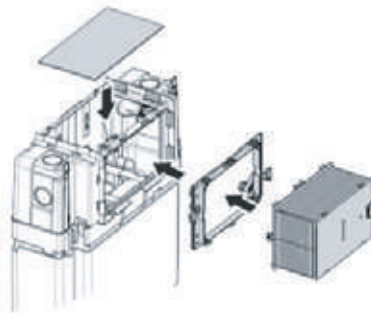
**Top Access**



Minimum of 160 mm from rear of cistern to front edge of finished wall surface

Min. projection of 10mm - Max. projection of 80mm of tile flange box required prior to trimming to accommodate

**Front Access**



**Expert Evo**

LOW LEVEL/  
UNDER BENCH CISTERN

**NOTE**

See next page for compatible actuators

**CODE**

721006/PN  
(if used with pneumatic actuators)

721006/MC  
(if used with mechanical actuators)

**WEIGHT**

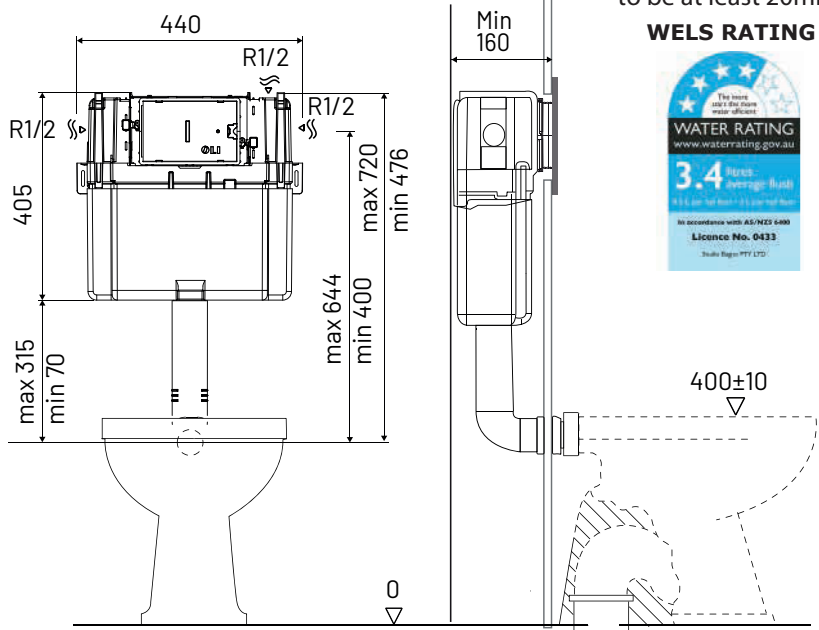
4.5 kg

**FEATURES**

- Dual flush under bench cistern with 4.5/3 litre flush
- 150 mm thickness
- 4-Star WELS rating
- Top or front activation/access
- Supplied with anti-condensation lining
- Stop Cock included
- Brackets for in-wall fixing
- Dust/Tiling protection box
- Protection sponge provided for flush pipe
- 1/2" Flexible hose connection
- 10 Year Warranty
- Manufactured in Europe
- Pneumatic actuator kit included

Minimum thickness from front of cistern to the front face of wall to be at least 20mm

**WELS RATING**



# COMPATIBLE ACTUATORS

## Expert Evo

LOW LEVEL/  
UNDER BENCH CISTERN

UNDER BENCH CISTERN

### Cistern Code by Actuator



GLAM

721006/MC



GLOBE

721006/MC



PLAIN

721006/MC



SLIM

721006/MC



BLINK

721006/PN



TREND

721006/PN



SPHERA +

721006/PN



SPHERA -

721006/PN



KARISMA

721006/PN