



MILADY WALL FACED PAN

STYLE

WALL FACED PAN (RIMLESS)

CODE

MIL002

COLOURS

White + Premium Colours

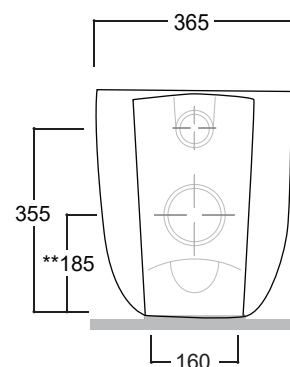
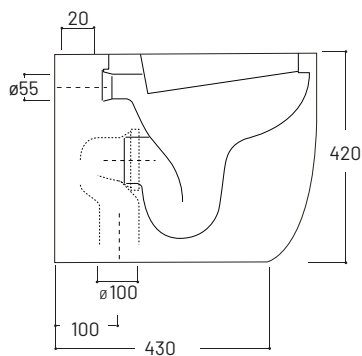
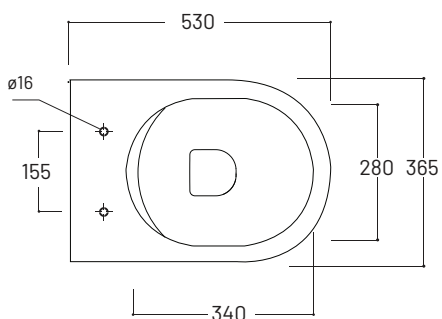
INCLUSIONS

Connector, soft close seat and fixings included.
S-trap connector supplied as standard.

NOTES

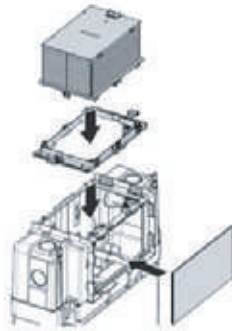
Set out
S-Trap: 100mm
P-Trap: 185mm

WELS 4-STAR RATING





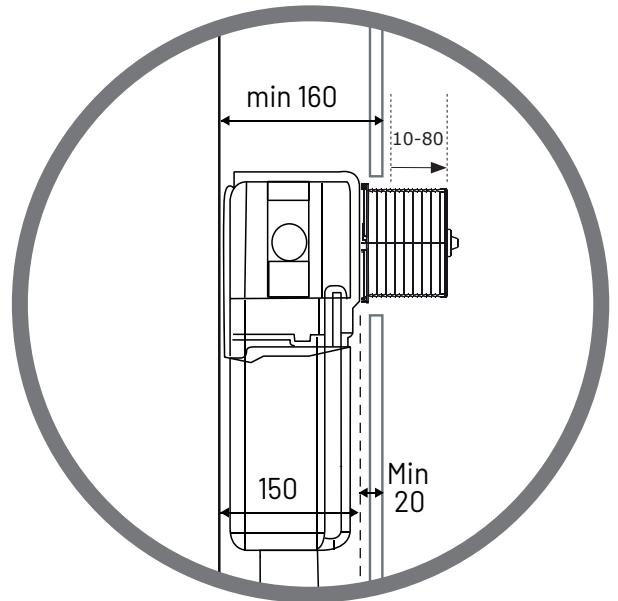
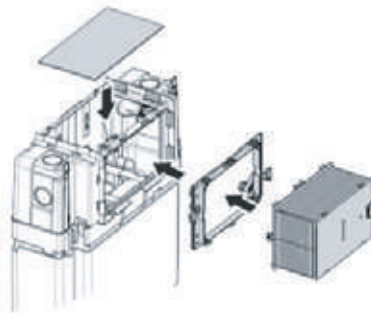
Top Access



Minimum of 160 mm from rear of cistern to front edge of finished wall surface

Min. projection of 10mm - Max. projection of 80mm of tile flange box required prior to trimming to accommodate

Front Access



Expert Evo

LOW LEVEL/
UNDER BENCH CISTERN

NOTE

See next page for compatible actuators

CODE

721006/PN
(if used with pneumatic actuators)

721006/MC
(if used with mechanical actuators)

WEIGHT

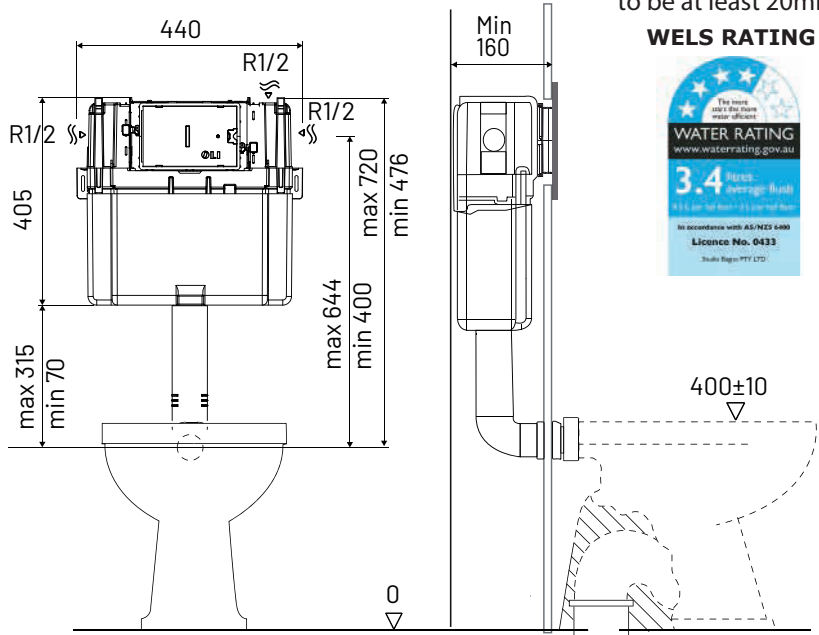
4.5 kg

FEATURES

- Dual flush under bench cistern with 4.5/3 litre flush
- 150 mm thickness
- 4-Star WELS rating
- Top or front activation/access
- Supplied with anti-condensation lining
- Stop Cock included
- Brackets for in-wall fixing
- Dust/Tiling protection box
- Protection sponge provided for flush pipe
- 1/2" Flexible hose connection
- 10 Year Warranty
- Manufactured in Europe
- Pneumatic actuator kit included

Minimum thickness from front of cistern to the front face of wall to be at least 20mm

WELS RATING



COMPATIBLE ACTUATORS

Expert Evo

LOW LEVEL/
UNDER BENCH CISTERN

UNDER BENCH CISTERN

Cistern Code by Actuator



GLAM

721006/MC



GLOBE

721006/MC



PLAIN

721006/MC



SLIM

721006/MC



BLINK

721006/PN



TREND

721006/PN



SPHERA +

721006/PN



SPHERA -

721006/PN



KARISMA

721006/PN