



MILADY WALL HUNG PAN

STYLE

WALL HUNG PAN (RIMLESS)

CODE

MIL003

COLOURS

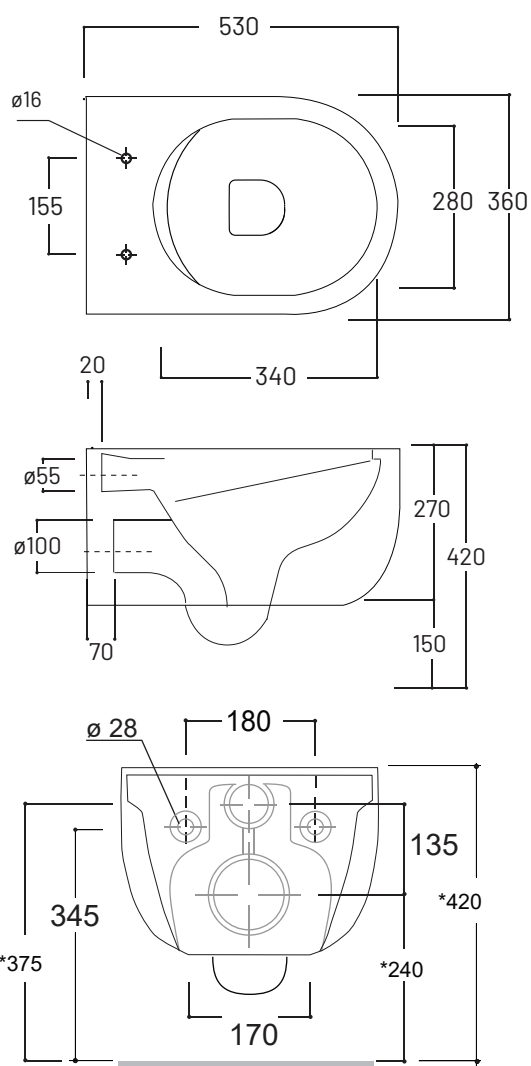
White + Premium Colours

INCLUSIONS

Connector, soft close seat and fixings included

NOTES

WELS 4-STAR RATING



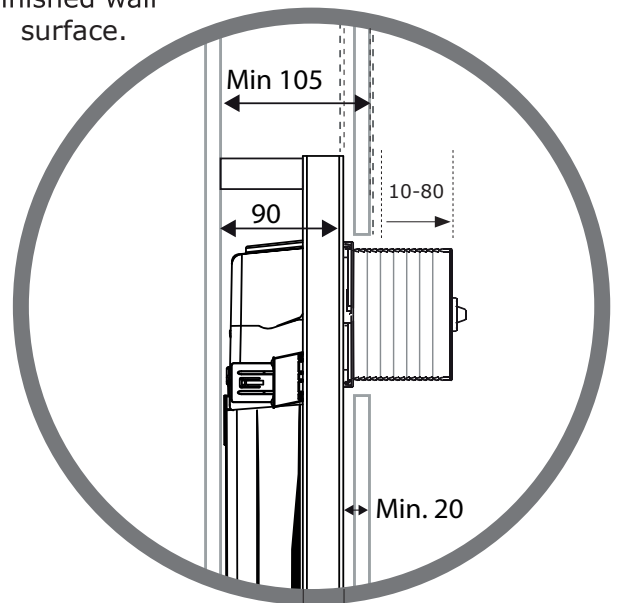


Min. 105 mm from rear of cistern to front edge of finished wall surface.

Min. projection of 10mm - Max. projection of 80mm of tile flange box required prior to trimming to accommodate actuator.

NOTE

See next page for compatible actuators



40
Minimum thickness from front of cistern to the front face of wall to be at least 20mm

Oli 74

IN-WALL CISTERN WITH FRAME

CODE

601803/MC
(if used with mechanical actuators)

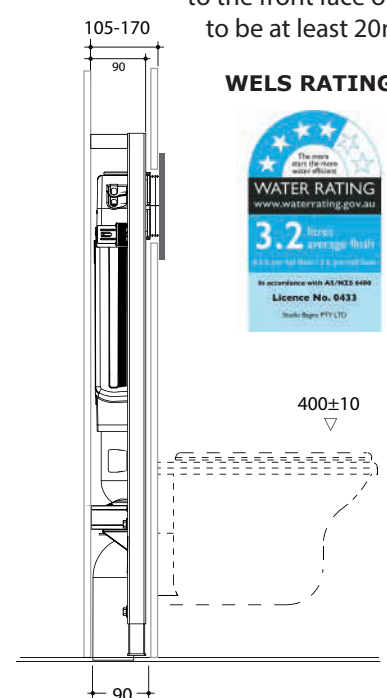
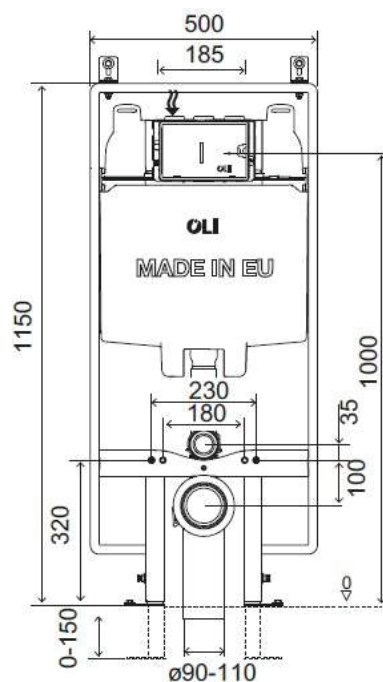
601803/PN
(if used with pneumatic actuators)

WEIGHT

14 kgs

FEATURES

- Front access only
- Dual flush in-wall cistern with 4.5/3 litre flush
- Ultra compact inlet valve
- Painted tubular frame
- 90mm thickness
- Adjustable outlet bend
- Frame tested to 400 kg load
- Height adjustable from 0 to 150 mm
- Stop cock provided
- Brackets for pre-wall fixing
- Protection box supplied for tiling purposes
- 10 Year Warranty
- Manufactured in Europe
- Mechanical actuator kit included



WELS RATING



400±10

COMPATIBLE ACTUATORS

Oli 74
IN-WALL CISTERN
WITH FRAME

Cistern Code by Actuator

					
GLAM	GLOBE	OCEANIA	OCEANIA MIA	PLAIN	SLIM
601803/MC	601803/MC	601803/MC	601803/MC	601803/MC	601803/MC
					
BLINK	TREND	SPHERA +	SPHERA -	KARISMA	
601 803/PN	601 803/PN	601 803/PN	601 803/PN	601 803/PN	