



NEPTUNE®

Solid Rigid Core Waterproof Floors

Vogue



Synchronised
Embossed in
Register
Texture



Standard Vinyl SHADETECH

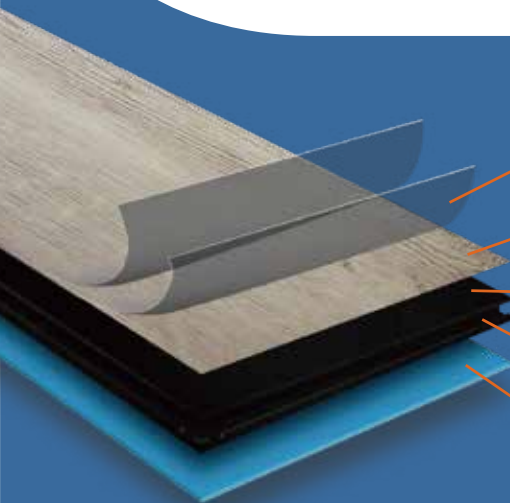
Ultra Matte Finish



FLORENCE

Neptune Flooring Features:

- ➔ 100% waterproof: Perfect for places that are prone to spills
- ➔ Stable to high temperature variations and direct sunlight
- ➔ Fast, easy and clean installation in no time thanks to its tight lock click system
- ➔ Natural good grain surface
- ➔ Minimum subfloor preparation
- ➔ Floor for all seasons
- ➔ Seamless large area installation up to 400 m²
- ➔ Easy to clean & maintain
- ➔ Quiet, soft and warm underfoot
- ➔ Safe & environmentally friendly: 100% free of Ortho-Phthalates & other harmful substances
- ➔ Kid & pet friendly



MULTI LAYER PROTECTIVE COATING

For extra protection against heavy foot traffic, scuffs and stains

DEEP STRUCTURED DECORATIVE LAYER

Giving Neptune the look & feel of hardwood

SOLID RIGID CORE

100% Waterproof | Stable & Rigid | Dent Resistant | Ortho-phthalates Free

TIGHT LOCK CLICK SYSTEM

For fast & Easy Installation

PRE-ATTACHED SOUND ABSORBING PAD

For extra protection, sound absorption & an extra soft underfoot



STABLE

- Durable construction
- Waterproof



100%
Waterproof



Easy
Maintenance



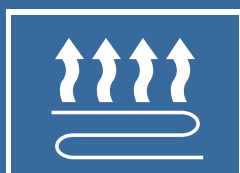
Synchronised Embossed
in Register Texture

RIGID

- Superior indentation resistance
- No telegraphing of small subfloor imperfections



Extra Impact
Resistant Surface



Suitable For
Underfloor Heating

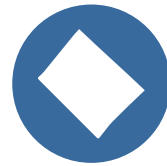
FLOATING INSTALLATION

- Easy-to-install click system
- Installs over most existing subfloors



HEALTH & SUSTAINABILITY

Health & sustainability are the No.1 priorities. We ensure that Neptune® floors are safe for you, your family, and the environment.



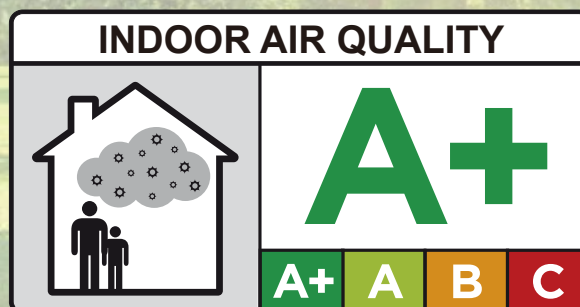
Extra Rigid Core



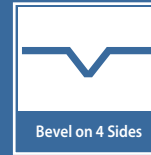
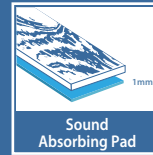
100% Free Of:
Ortho-Phthalates and
Other Harmful Substances



100% Recyclable



Size: 1620 x 225 x 6.5mm (incl. 1mm Pre-attached IXPE Backing)
 Wear layer: 0.55mm
 Surface: Embossed-in-Register Synchronized Texture
 Bevel: Micro Bevel on 4 Sides
 Click: Tight Lock



Colour illustrations are indicative only. Actual product may vary due to batch variations or display limitations.



ROME



MILAN



VENICE



NAPLES

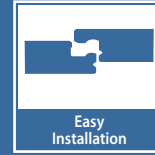
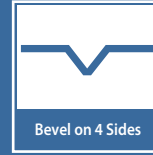
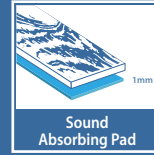
Size: 1620 x 225 x 6.5mm (incl. 1mm Pre-attached IXPE Backing)

Wear layer: 0.55mm

Surface: Embossed-in-Register
Synchronized Texture

Bevel: Micro Bevel on 4 Sides

Click: Tight Lock



Colour illustrations are indicative only. Actual product may vary due to batch variations or display limitations.



FLORENCE



VERONA

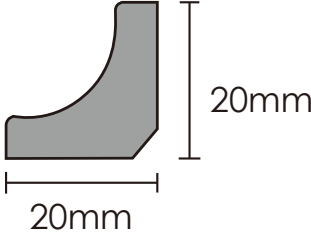
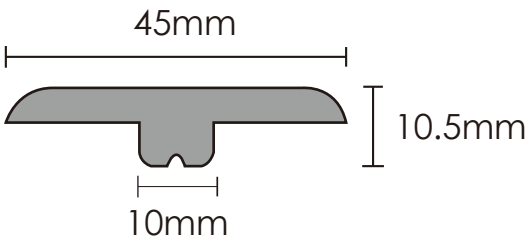


COMO



SIENA

Water Resistant Flooring Accessories

Scotia	T-Mould
	
Dimensions:	Dimensions:
15 x 28 x 2400 mm	10.5 x 45 x 2400 mm

Our Flooring accessories are available in all hybrid plank colours

COMO

ROME

NAPLES

VERONA

FLORENCE

MILAN

VENICE

SIENA

Neptune® Room Visualiser



The most advanced AR computer vision tech used to change the floor anywhere in 3 clicks!



Try our quick and easy
Neptune® Room Visualizer

EXCLUSIVE TO
Harvey Norman®



FOLLOW US



www.neptune-flooring.com