

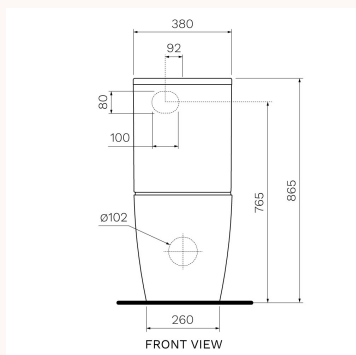
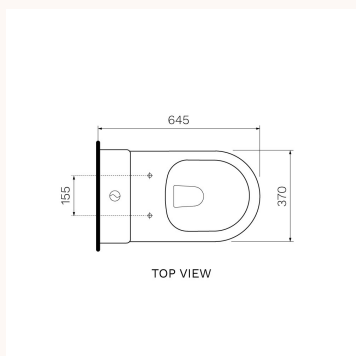
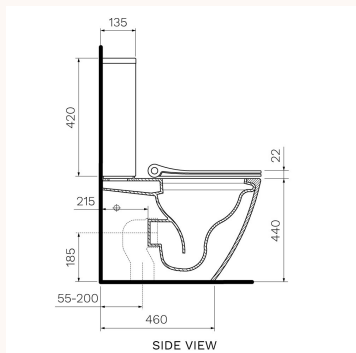


## Ellisse II Ambulant Suite Rimless (Including Pressalit Seat)

PN82P

The Ellisse II Ambulant Toilet Suite is designed to meet the compliance requirements of AS1428.1-2009. The elevated height of the pan assists persons whose mobility is impaired.

Featuring a luxurious [Pressalit](#) Seat, this suite is designed with comfort in mind and ensures luxurious relaxation during your bathing experience.



<b>Product type</b>	Toilets
<b>Brand</b>	PARISI
<b>Collection</b>	Ellisse II
<b>Range</b>	Design
<b>Designers</b>	PARISI Design Team
<b>WxDxH</b>	380mm x 645mm x 865mm
<b>Colour / Finish</b>	 Gloss White
<b>Material</b>	Ceramic
<b>WELS</b>	4 Star 4.5/3L
<b>S Trap set out (mm)</b>	55 - 200mm using PN0030 connector (included)
<b>P Trap set out (mm)</b>	185mm height FFL
<b>Inlet Options</b>	Back Inlet 765mm height FFL Bottom Inlet L&R
<b>Seat</b>	Pressalit Sway D2 Soft Close Seat (PN5620)
<b>Average water flush (L/f)</b>	3.2 Litres
<b>Rimless</b>	Yes

<b>Warranty</b>	10 Year Warranty
<b>Availability</b>	Stocked Item
<b>Features:</b>	Seat - Pressalit Soft Close, Slim profile, Easy Lift-off hinges, Antibacterial Polygiene (PN5620)
<b>Installation Instructions:</b>	Can be installed to comply with AS1428.1-2009. Optional variable set-out 180 - 240mm using PN0045 connector (to be ordered separately).

PARISI



RIMLESS

