

**AURELAQUA**



# 10M Waterline Pool Cleaner

## User Manual

[Revision 1.0]

---

READ THIS MANUAL CAREFULLY BEFORE USE – FAILURE TO DO SO MAY RESULT IN INJURY, PROPERTY DAMAGE AND MAY VOID WARRANTY. • KEEP THIS MANUAL FOR FUTURE REFERENCE. • Products covered by this manual may vary in appearance, assembly, inclusions, specifications, description, and packaging.

---

# Safety

Safety messages are designed to alert you to possible dangers or hazards that could cause death, injury or equipment or property damage if not understood or followed. Safety messages have the following symbols:



You **WILL** be **KILLED** or **SERIOUSLY INJURED** if you do not follow instructions.



You **CAN** be **KILLED** or **SERIOUSLY INJURED** if you do not follow instructions.



You **CAN** be **INJURED** if you do not follow instructions or equipment damage may occur.

It is vital that you read and understand this user manual before using the product, including safety warnings, and any assembly and operating instructions. Keep the manual for future reference.

Safety precautions and recommendations detailed here must be fully understood and followed to reduce the risk of injury, fire, explosion, electrical hazard, and/or property damage.

Safety information presented here is generic in nature – some advice may not be applicable to every product. The term "equipment" refers to the product, be it electrical mains powered, battery powered or combustion engine powered.

- **Before Use** - If you are not familiar with the safe operation/handling of the equipment or are in any way unsure of any aspect of suitability or correct use for your application, you should complete training conducted by a person or organization qualified in safe use and operation of this equipment, including fuel/electrical handling and safety.
- Do NOT operate the equipment in flammable or explosive environments, such as in the presence of flammable liquids, gases, or dust. The equipment may create sparks or heat that may ignite flammable substances.
- Keep clear of moving parts.
- Equipment may be a potential source of electric shock or injury if misused.
- Do NOT operate the equipment if it is damaged, malfunctioning or is in an excessively worn state.
- Do NOT allow others to use the equipment unless they have read this manual and are adequately trained.
- Keep packaging away from children - risk of suffocation! Operators must use the equipment correctly. When using the equipment, consider conditions and pay due care to persons and property.

### General Work Area Safety

- Work areas should be clean and well lit.
- Do not operate the equipment if bystanders, animals etc are within operating range of the equipment or the general work area.
- If devices are provided for connecting dust extraction / collection facilities, ensure these are connected and used properly. Dust collection can reduce dust-related hazards.

### General Personal Safety

- Wear appropriate protective equipment when operating, servicing, or when in the operating area of the equipment to help protect from eye and ear injury, poisoning, burns, cutting and crush injuries. Protective equipment such as safety goggles, respirators, non-slip safety footwear, hard hat, hearing protection etc should be used for appropriate equipment / conditions. Other people nearby should also wear appropriate personal protective equipment. Do not wear loose clothing or jewellery, which can be caught in moving parts. Keep hair and clothing away from the equipment.
- Stay alert and use common sense when operating the equipment. Do not over-reach. Always maintain secure footing and balance.
- Do not use the equipment if tired or under the influence of drugs, alcohol, or medication.
- This equipment is not intended for use by persons with reduced physical, sensory, or mental capabilities.

### General Fuel Safety

- Petrol/fuel/gasoline is extremely flammable – keep clear of naked flames or other ignition sources.
- Do not spill fuel. If you spill fuel, wipe it off the equipment immediately – if fuel gets on your clothing, change clothing.
- Do NOT smoke near fuel or when refuelling.
- Always shut off the engine before refuelling.
- Do NOT refuel a hot engine.
- Open the fuel cap carefully to allow any pressure build-up in the tank to release slowly.
- Always refuel in well-ventilated areas.
- Always check for fuel leakage. If fuel leakage is found, do not start, or run the engine until all leaks are fixed.

### General Carbon-Monoxide Safety

- Using a combustion engine indoors **CAN KILL IN MINUTES**. Engine exhaust contains carbon-monoxide – a poison you cannot smell or see.
- Use combustion engines **OUTSIDE** only, and far away from windows, doors, and vents.

### General Equipment Use and Care

- Keep packaging away from children and pets, potential risk of suffocation or choking.
- The equipment is designed for domestic use only.
- Handle the equipment safely and carefully.
- Before use, inspect the equipment for misalignment or binding of moving parts, loose components, damage, or any other condition that may affect its operation. If damaged, have the equipment repaired by an authorised service centre or technician before use.
- Prevent unintentional starting of the equipment - ensure equipment and power switches are in the OFF position before connecting or moving equipment. Do not carry equipment with hands or fingers touching any controls. Remove any tools or other items that are not a part of the equipment from it before starting or switching on.
- Do not force the equipment. Use the correct equipment for your application. Equipment will perform better and be safer when used within its design and usage parameters.
- Use the equipment and accessories etc. in accordance with these instructions, considering working conditions and the work to be performed. Using the equipment for operations different from those intended could result in hazardous situations.
- Always keep equipment components (engines, hoses, handles, controls, frames, housings, guards etc) and accessories (cutting tools, nozzles, bits etc) properly maintained. Keep the equipment clean and, where applicable, properly lubricated.
- Store the equipment out of reach of children or untrained persons. To avoid burns or fire hazards, let the equipment cool completely before transporting or storing. Never place or store the equipment near flammable materials, combustible gases, or liquids etc.
- The equipment is not weather-proof, and should not be stored in direct sunlight, at high ambient temperatures or locations that are damp or humid.
- Do not clean equipment with solvents, flammable liquids, or harsh abrasives.
- For specific equipment safety use and care, see Equipment Safety.

**General Electrical Safety**

- Inspect electrical equipment, extension cords, power bars, and electrical fittings for damage or wear before each use. Repair or replace damaged equipment immediately.
- Ensure all power sources conform to equipment voltage requirements and are disconnected before connecting or disconnecting equipment.
- When wiring electrically powered equipment, follow all electrical and safety codes.
- Always use a Residual Current Device (RCD) (GFCI) / Earth Leakage Circuit Breaker / Safety Switch when operating this item (electrical items only).
- High voltage / high current power lines may be present. Use extreme caution to avoid contact or interference with power lines. Electrical shock can be fatal.

**General Electrical Safety**

- Electrically grounded equipment must have an approved cord and plug and be connected to a grounded electrical outlet.
- Do NOT bypass the ON/OFF switch and operate equipment by connecting and disconnecting the electrical cord.
- Do NOT use equipment that has exposed wiring, damaged switches, covers or guards.
- Do NOT use electrical equipment in wet conditions or in damp locations.
- Do NOT use electrical cords to lift, move or carry equipment.
- Do NOT coil or knot electrical cords, and ensure electrical cords are not trip hazards.

**General Service Information**

- The equipment must be serviced or repaired at authorised service centres by qualified personnel only.
- Replacement parts must be original equipment manufacturer (OEM) to ensure equipment safety is maintained.
- Do NOT attempt any maintenance or repair work not described in this manual.
- After use, the equipment and components may still be hot – allow the equipment to cool and disconnect spark plugs and/or electrical power sources and/or batteries from it before adjusting, changing accessories, or performing repair or maintenance.
- Do NOT adjust while the equipment is running.
- Perform service-related activities in suitable conditions, such as a workshop.
- Replace worn, damaged or missing warning/safety labels immediately.

**Child Choking Hazard!**



**• WARNING: CHOKING HAZARD - CHILDREN UNDER 8 YRS. CAN CHOKE OR SUFFOCATE ON SMALL PARTS. ADULT SUPERVISION REQUIRED.**

- Carefully inspect anything a baby or child could gain access to, including this product & packaging.
- Dangers include anything of a size that could become stuck or lodged in a baby or child's airway.
- Dangers include things like raw, hard fruit and vegetable pieces, large pieces of meat, bones or sausage skins, popcorn, nuts, hard lollies and corn chips, small magnets and batteries, coins, beads, marbles and small uninflated balloons, broken toys and smaller toys, buttons, keys, and coins. But there are also many more.
- Pay particular attention to accessories, nuts, bolts, screws, washers, caps, covers, loose parts, parts that could be removed or break off, pieces of packaging, staples, tape etc.
- In the case of any doubt, secure the item of concern in an appropriate manner, or completely remove the possibility of access by a baby or child.

**Assembly Precautions**





















- Assemble only according to these instructions. Incorrect assembly may cause hazards.
- Wear approved safety goggles and heavy-duty work gloves during assembly.
- Keep the assembly area clean and well-lit.
- Keep bystanders, especially children and pets, away from the assembly area.
- Do not assemble the product when tired or under the influence of alcohol, drugs, or medication.
- The product's performance applies only when it is properly and fully assembled.

**Use Precautions**

- Do not sit or stand on the product.
- This product is not a toy. Keep children away from the pool cleaner during use.
- Use only as intended and in accordance with this manual.
- Inspect the product before each use. Do not use if any parts are damaged or assembled incorrectly.

# Safety Symbols

The product may have safety warning labels attached to it, explained below. Understand the symbols on your product and their meanings. If any stickers become unreadable, unattached etc., replace them.

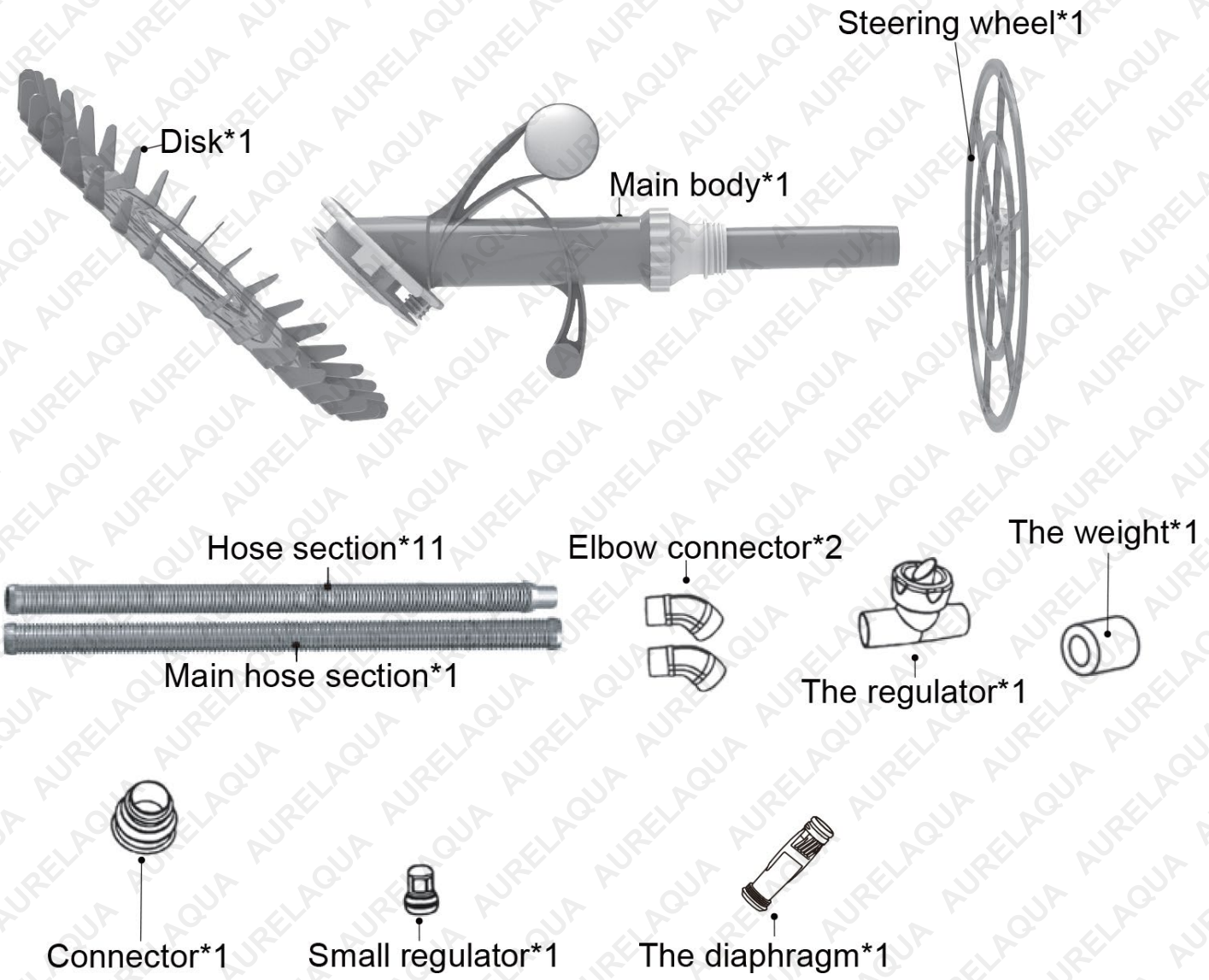
 <p><b>Flammable Material Hazard</b> Flammable liquids, gases, or substances etc may present. Avoid ignition sources and open flames. Danger of fire.</p>	 <p><b>Read User Manual</b> Read and fully understand product safety warnings, operation, procedures etc before using the product.</p>	 <p><b>Use Hand Protection</b> Wear appropriate hand protection and take due care as the product or use of the product may present hand hazards.</p>	 <p><b>Carbon-Monoxide Hazard</b> Do not use the product in confined areas or without adequate ventilation. Carbon-monoxide poisoning can be fatal.</p>
 <p><b>Electrocution / Electrical Shock Hazard</b> High voltage or high current electricity may be present or required by the product. Take due care when handling electrical products, cables, plugs and leads. Electrical shock can be fatal.</p>	 <p><b>Toxic Fumes / Dust Hazard</b> Using the product or by-products from use may produce fumes, smoke or particles that could be harmful if inhaled. Wear appropriate breathing protection and have adequate ventilation.</p>	 <p><b>Explosive Material Hazard</b> Combustible liquids, gases, or substances etc may be present. Avoid ignition sources and open flames. Danger of explosion.</p>	 <p><b>Cutting / Amputation Hazard</b> The product may have blades, edges or mechanical devices that can cause severe cut injury to fingers, limbs etc. Take due care when handling and using the product.</p>
 <p><b>Crush Hazard</b> The product may have blades, edges or mechanical devices that can cause severe crush injury to fingers, limbs etc. Take due care when handling and using the product.</p>	 <p><b>Single Operator Only</b> The product must be operated by a single person only. More than one person operating the product may introduce additional hazards.</p>	 <p><b>Use Face Protection</b> Wear appropriate full-face protection and take due care as the product or use of the product may present face and eye hazards.</p>	 <p><b>Use Foot Protection</b> Wear appropriate foot protection and take due care as the product or use of the product may present foot hazards.</p>
 <p><b>Use Eye / Ear / Head Protection</b> Wear appropriate eye and / or ear and / or head protection and take due care as the product or use of the product may present eye, hearing, and head hazards.</p>	 <p><b>Running Hazard</b> Do not run on or near the product as doing so may present a fall hazard.</p>	 <p><b>Diving Hazard</b> Do not dive into the product as doing so may present a neck / head injury hazard.</p>	 <p><b>Adult Supervision Required</b> Always supervise children and other users of a product to prevent drowning or injury.</p>
 <p><b>Skin Penetration / Puncture Hazard</b> The product may produce pressure, emit liquids or objects that can cause severe injury to fingers, limbs, blood etc. Take due care when handling and using the product.</p>	 <p><b>Hot Surface Hazard</b> Be aware that the product may produce high temperatures and hot surfaces that can cause burn injuries.</p>	 <p><b>Flying Debris Hazard</b> Be aware that the product or use of the product may present hazards produced by flying debris. Wear appropriate clothing and protective devices.</p>	 <p><b>Moving Parts Hazard</b> Be aware that the product contains or uses mechanical devices that move or rotate. Always wait for moving parts to stop fully before handling the product, adjusting, maintenance etc.</p>

 <p><b>Carbon-Monoxide Hazard</b> Do not use the product in confined areas or without adequate ventilation. Carbon-monoxide poisoning can be fatal.</p>	 <p><b>Pull Hazard</b> Be aware that the product contains or uses mechanical devices that can pull in objects and can cause severe injury to fingers, limbs etc. Take due care when handling and using the product.</p>	 <p><b>Slope / Fall Injury Hazard</b> Be aware that using the product on sloping surfaces or in slippery conditions may present additional dangers from falls and contact with blades, moving parts, hot surfaces etc.</p>	 <p><b>"Slam Dunk" Warning</b> Do NOT attempt "slam dunk" manoeuvres as this may result in severe injury due to falling, product breakage or collapse etc.</p>
 <p><b>Electrocution / Electrical Shock Hazard - Outdoor</b> High voltage or high current electricity may be present or required by the product. Do NOT use in rain, damp, or wet conditions. Electrical shock can be fatal.</p>	 <p><b>Electrocution / Electrical Shock Hazard - Disconnect</b> High voltage or high current electricity may be present or required by the product. Always disconnect the product from the electrical supply before handling the product, adjusting, maintenance etc.</p>	 <p><b>Power Line Electrocution Hazard</b> High voltage / high current power lines may be present. Use extreme caution to avoid contact or interference with power lines. Electrical shock can be fatal.</p>	 <p><b>"Kick-Back" Hazard</b> High level of "kick-back" hazard that can cause the machine to suddenly rotate towards operator. Kick-back injury can be fatal.</p>
 <p><b>Winch Operator Position Hazard</b> Do NOT stand between winch and load. Do NOT use winch to move people.</p>	 <p><b>Winch Lift Hazard</b> Do NOT LIFT load vertically. Use machine to PULL only.</p>	 <p><b>Cable Hazard</b> Ensure that load bearing cable is not kinked or knotted.</p>	 <p><b>Winch Cable Hazard</b> Ensure that there is a minimum number of cable coils on winching mechanism.</p>
 <p><b>Winch Hook Hazard</b> Carry hook to load – do NOT throw or run.</p>	 <p><b>Flash / Blinding Hazard</b> Wear appropriate eye protection for welding. Direct exposure to weld arcs may cause permanent eye injury.</p>	 <p><b>Laser Hazard</b> Laser may be in use – do NOT look directly at laser or allow others to.</p>	 <p><b>Choking Hazard</b> Children under 8 yrs. Can choke or suffocate on small parts. Adult supervision required.</p>

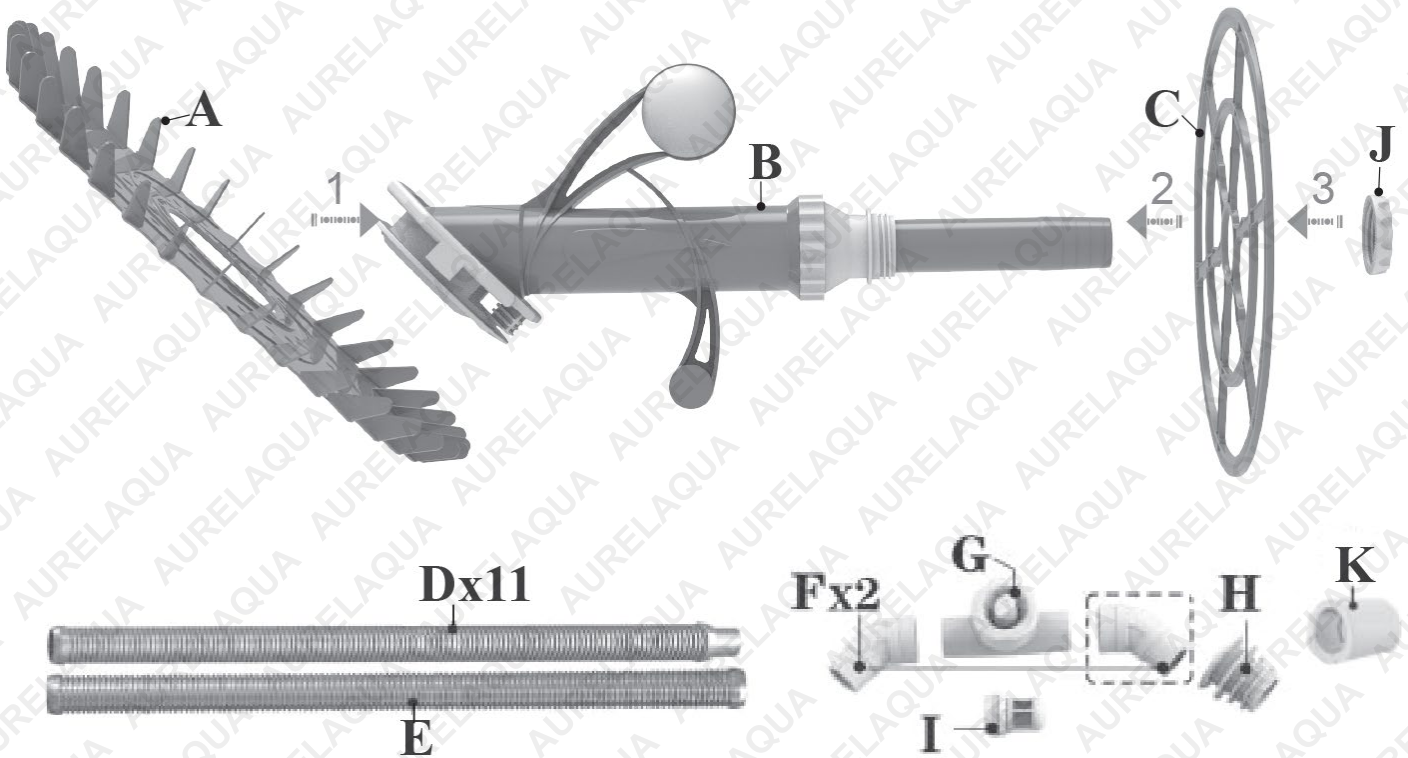
# Table of Contents

<b>Safety</b> .....	<b>2</b>
Safety Symbols .....	4
<b>Parts Identification</b> .....	<b>7</b>
<b>Assembly</b> .....	<b>8</b>
<b>Preparatory Work</b> .....	<b>10</b>
<b>How to Change the Diaphragm</b> .....	<b>15</b>
<b>Troubleshooting</b> .....	<b>16</b>
<b>Specifications</b> .....	<b>18</b>

# Parts Identification

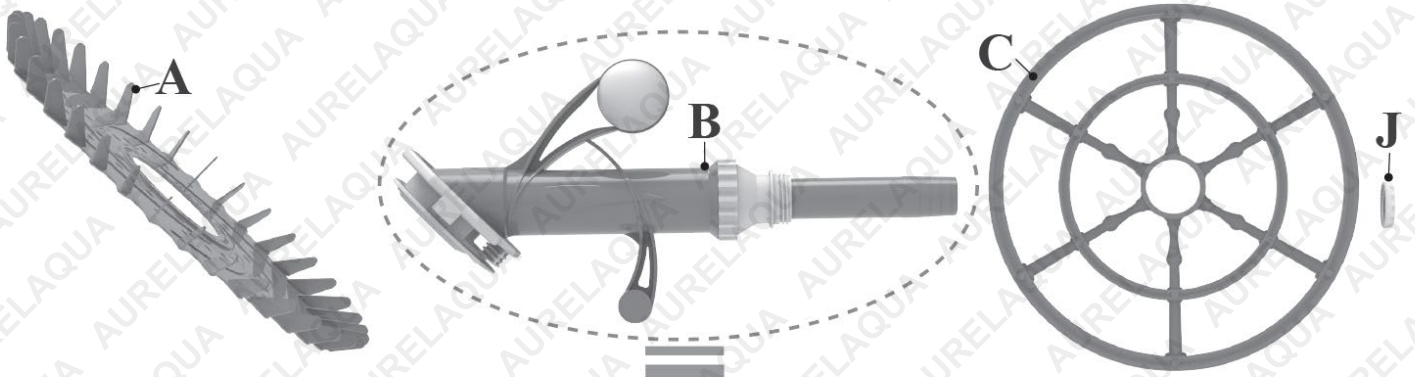


# Assembly

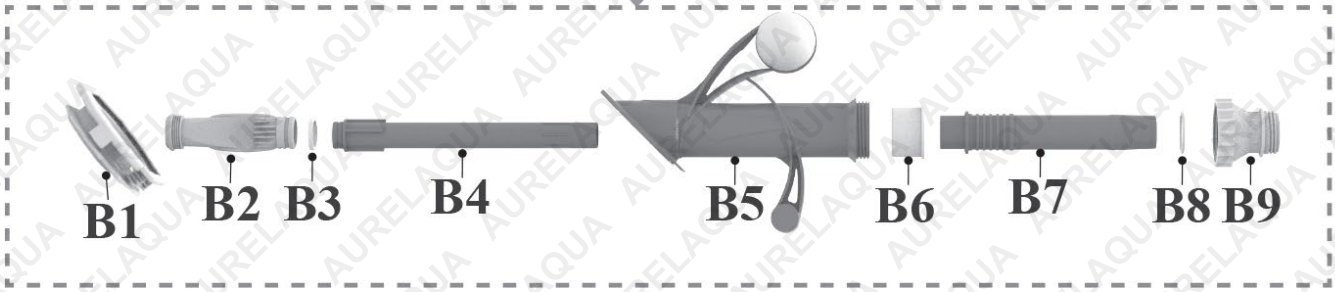


1. Install the disk A onto the main body B, ensuring it clips securely into the groove of the foot pad.
2. Install the steering wheel C onto the main body B.
3. Secure the steering wheel by tightening the nut J.

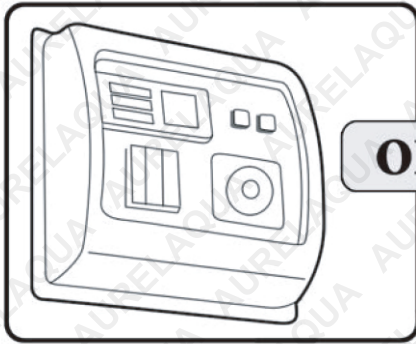
**B Components List**



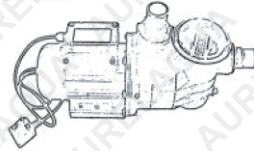
"B" Components List



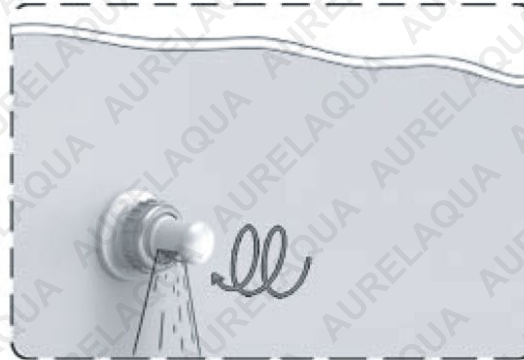
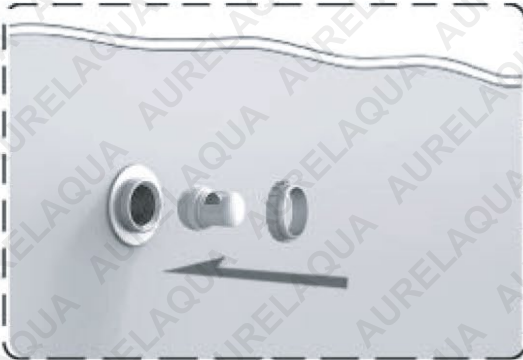
## Preparatory Work

**1**

Switch off your pool pump.



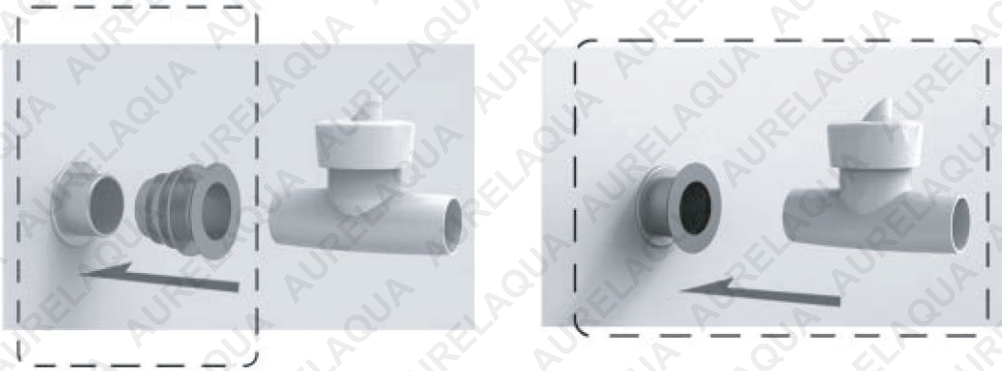
The pool cleaner requires a pump with a minimum power of **0.37 kW (½ HP) per 3,785 litres (1,000 gallons)** of water.

**2**

Replace the eyelet of your return inlet with part I, ensuring the opening faces downward to avoid interference with the cleaner's operation.

- If your pool is equipped with a vacuum plug, proceed to Step 3.
- If not, skip to Step 4.

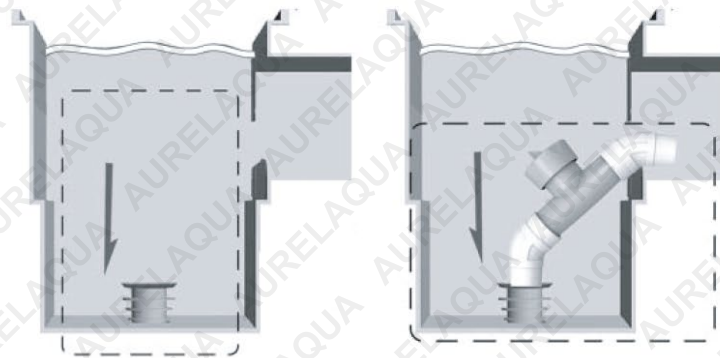
**3**



Connect part H to your vacuum plug. Attach the regulator G to part H, ensuring the arrow on the regulator points towards the vacuum plug.

Then proceed to Step 5.

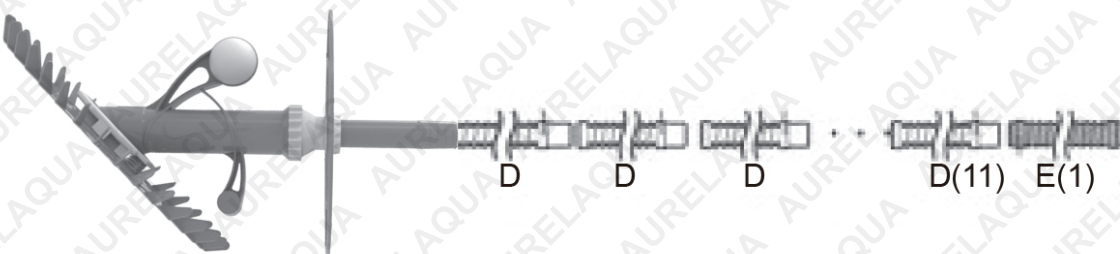
**4**



Attach both elbow connectors F to the regulator G.

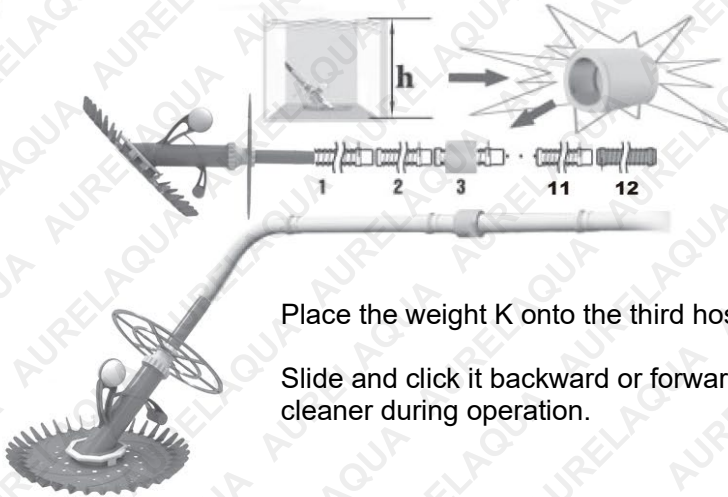
Insert part H facing downward, then connect the regulator. Ensure the arrow beneath the regulator points towards the skimmer.

**5**



Connect all hose sections D, then attach section E at the end.

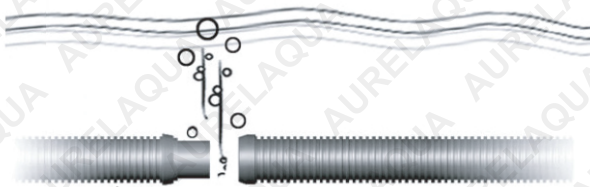
6



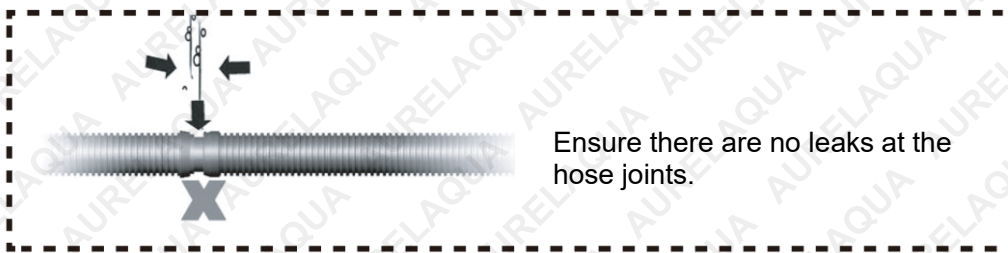
Place the weight K onto the third hose section.

Slide and click it backward or forward to adjust the buoyancy and angle of the cleaner during operation.

7



Fill the hoses with water to remove any air pockets.



Ensure there are no leaks at the hose joints.

8

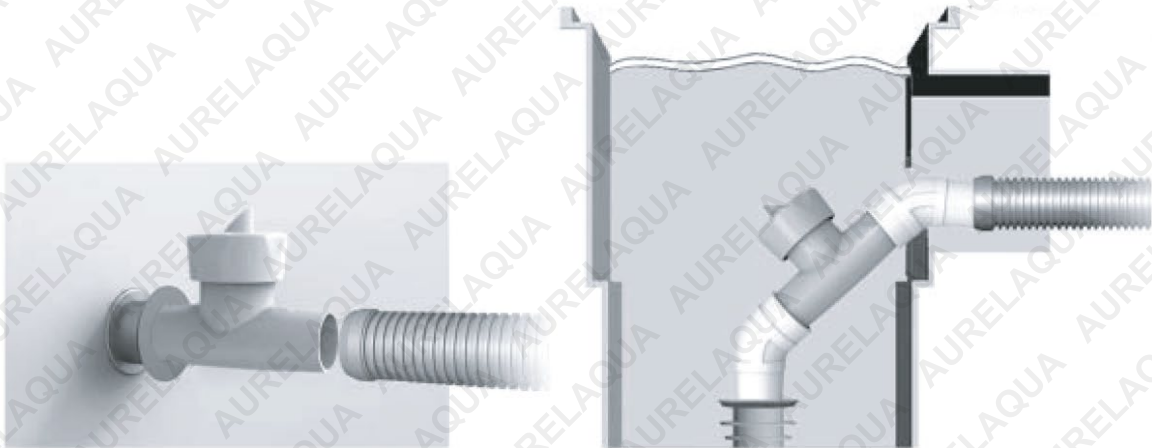


Use enough hose sections to reach the farthest point of the pool.



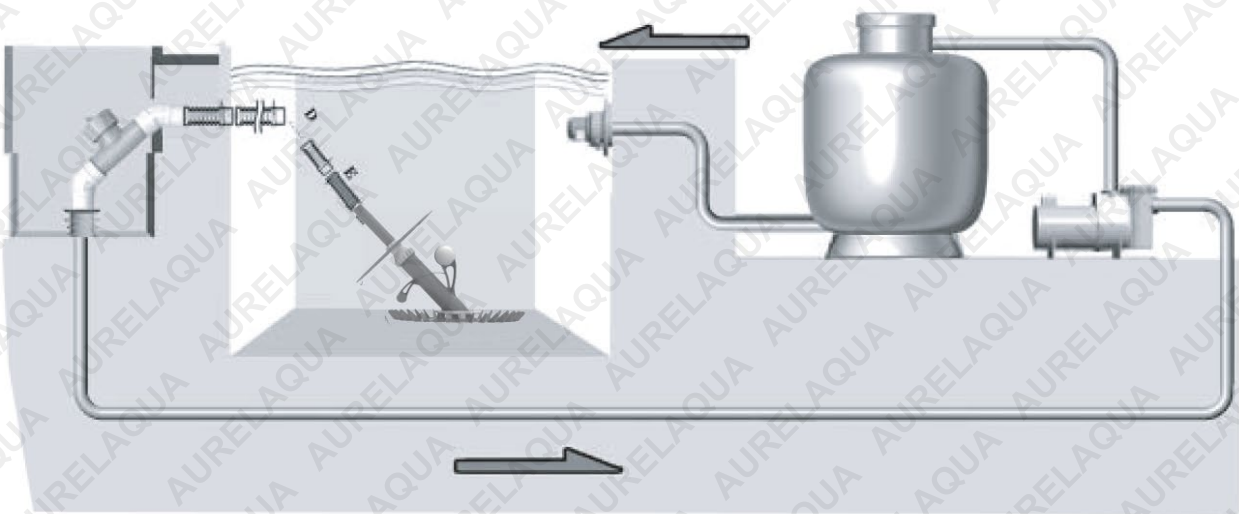
When storing, keep the hoses straight — do not coil or bend them tightly.

9



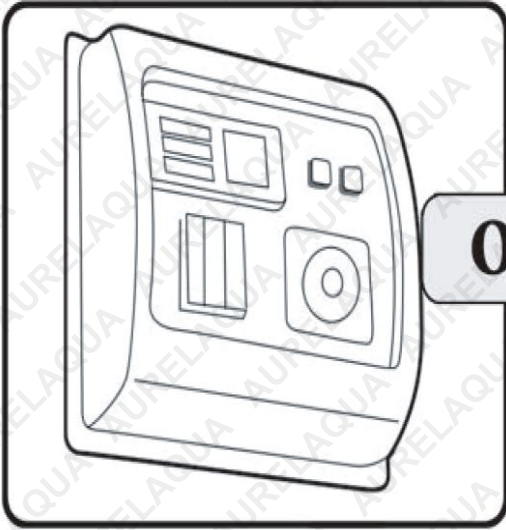
- If using a vacuum plug: connect hose E directly to regulator G.
- If using a wall skimmer: pass the hose through the skimmer mouth and connect it to the regulator via elbow F.

10



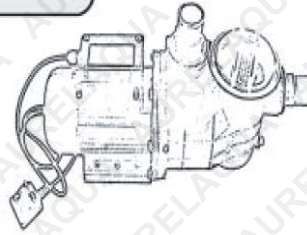
Set your filtration system to the vacuum setting. A pump with at least 0.37 kW ( $\frac{1}{2}$  HP) or a flow rate of 3,785 litres per hour (1000ga/h) is required.

11

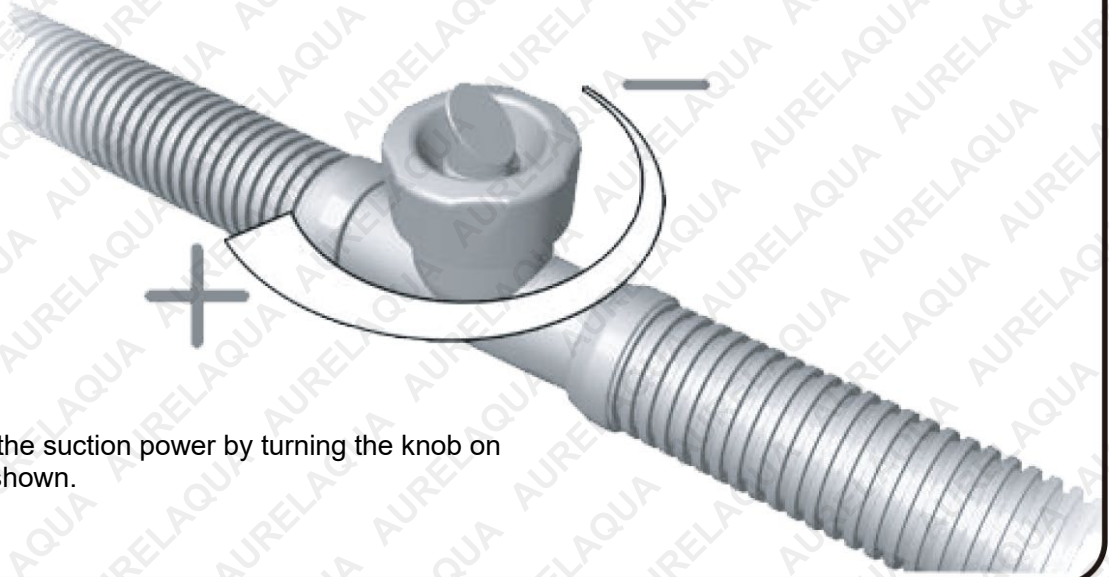


ON

Turn on the pump and let your cleaner automatically clean the pool.

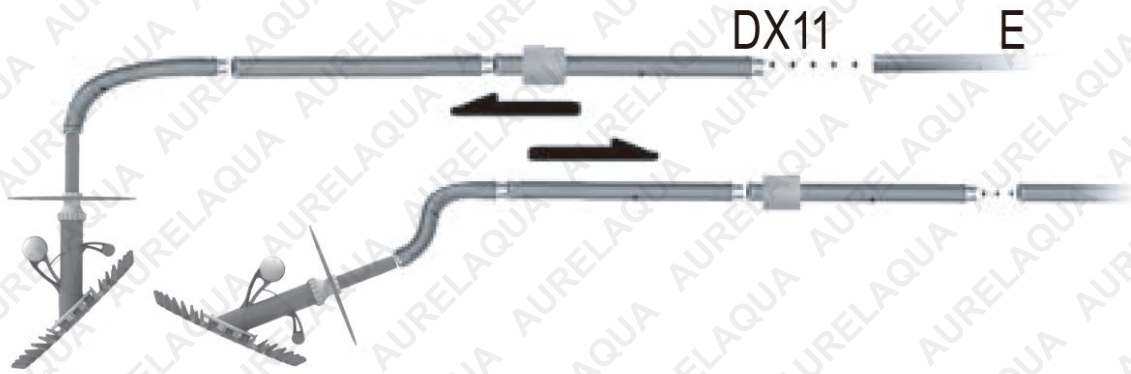


12



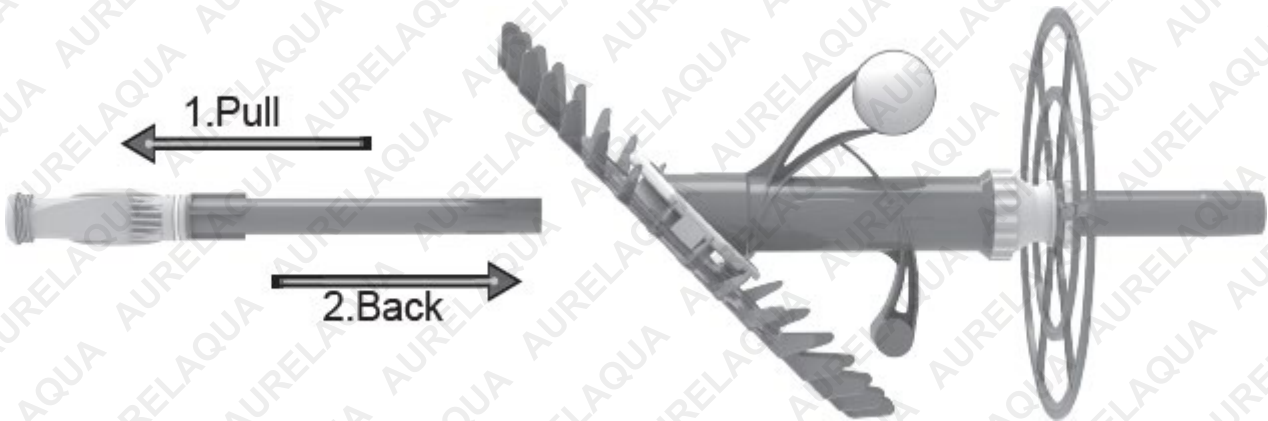
You can adjust the suction power by turning the knob on regulator G as shown.

13



If the cleaner tilts too far forward or backward during operation, move the weight K along the hose until it balances correctly.

## How to Change the Diaphragm



1. Remove the diaphragm together with part B4.
2. Ensure the small white clip is properly attached to the new diaphragm before installation.
3. Insert the assembled part back into the cleaner.

# Troubleshooting

## Problem

## Possible Solutions

### Cleaner is sluggish or has stopped operating

- Ensure the pool pump is switched on and primed.
- Check the cleaner head for blockages.
- Empty and clean the pump basket and skimmer/weir basket.
- Make sure the filtration system is thoroughly cleaned. Clean sand or cartridge filters as per the manufacturer's instructions.
- Inspect the regulator valve and remove any debris build-up.
- Check the mat for wear and ensure its curved tips face upwards.
- Ensure the skimmer/weir vacuum lid is fitted correctly and not cracked.
- Check the hose for blockages or leaks by lifting each section above the water while the pump is running.
- Inspect the diaphragm for blockages and clean it if necessary.

Note: Excessive use of chemical tablets can shorten the diaphragm's service life.

### Cleaner gets stuck on steps

- Adjust the return jets to direct water towards the problem area to guide the cleaner away.
- Verify the hose length is correct.
- Ensure the cleaner sits flat on the pool floor.
- Adjust the hose weight position as needed—this should be done at the deepest part of the pool.
- Adjust the flow rate using the regulator valve.
- Check the mat for wear.

### Cleaner travels in a repetitive pattern

- Adjust the return jets downward.
- Verify proper hose length.
- Ensure the cleaner sits flat on the pool floor.
- Adjust the hose weight at the deepest part of the pool.
- Add or remove one hose section if necessary.
- Inspect the regulator valve and remove any debris build-up.
- Check that all hose sections are straight; if not, lay them out in the sun to relax their shape.
- Twist each hose section half a turn at each connection point.
- Ensure the wheel on top of the cleaner head rotates freely.

### Cleaner climbs out of the pool and draws in air

- Ensure a valve is installed in the skimmer/weir.
- Inspect the regulator valve and remove debris build-up.
- Verify the hose length.
- Ensure the cleaner sits flat on the pool floor.
- Adjust the hose weight position as needed at the deepest part of the pool.

**Problem**

**Possible Solutions**

**Cleaner hose is tangling**

- Ensure the wheel on top of the cleaner body rotates freely and is securely attached.
- Check that hose sections are straight; if not, lay them in the sun to relax.
- Remove excess hose sections if the hose is too long.
- Inspect the regulator valve and clear any debris.
- For pools with a skimmer at one end, performance can be improved by tying off the hose at the middle of the pool's long side. This allows the cleaner to cover the entire pool and reduces tangling.

**Cleaner won't leave the edge or rim of the pool**

- Adjust the return jets to move the cleaner away from the edge.
- Adjust the hose weight.
- Try decreasing the suction flow via the regulator to improve movement.

**Cleaner leaves patches**

- Ensure the top wheel rotates freely and is securely attached.
- Adjust the return jets downward.
- Verify proper hose length.
- Ensure the cleaner sits flat on the pool floor.
- Adjust the hose weight if necessary (at the deepest part of the pool).
- Straighten hose sections by laying them in the sun.

**Cleaner sticks to walls or floor**

- Ensure a valve is installed in the skimmer/weir.
- Inspect the regulator valve and remove debris build-up.
- Check the mat for wear.
- Adjust the suction flow via the regulator as needed.

**Cleaner not sitting flat on pool bottom**

- Ensure a valve is installed in the skimmer/weir.
- Inspect and clean the regulator valve.
- Ensure the top wheel rotates freely and is secured.
- Adjust the return jets downward.
- Verify proper hose length.
- Adjust the hose weight at the deepest part of the pool.

**Air bubbles visible in return jets**

- Ensure all hose connections are tight.
- Keep the cleaner head submerged while the pump is running.
- Check that the hoses are not damaged.
- Ensure the regulator valve remains underwater.

**Additional Notes:**

- After use, remove the cleaner from the pool and store it in a cool, dry place.
- Avoid prolonged exposure to direct sunlight, as this may cause the materials to become brittle and crack.

## Specifications

<b>Pool Type</b>	Inground, Above Ground
<b>Product Type</b>	Pool Cleaner
<b>Colour</b>	Blue
<b>Hose Length</b>	10 m (12 x No Tangle Sections)
<b>Type</b>	Suction Cleaner
<b>Suitable Pool Surface</b>	Concrete, Pebblecrete, Pebblecrete w/ Tiled Waterline, Quartzon, Glass Beads, Fibreglass, Vinyl Lined, Ceramic Tiled
<b>Cleaner Technology</b>	Diaphragm Flow Valve (Hammer/Oscillator)
<b>Wall Climbing</b>	Yes
<b>Connection</b>	Skimmer or 1.5" Vacuum Line



**Some experts believe that the incorrect or prolonged use of almost any product may cause serious injury or death. To help reduce your risk of serious injury or death, refer to the information below. For more information, see [www.datastreamserver.com/safety](http://www.datastreamserver.com/safety)**

- Consult all documentation, packaging, and product labelling before use. Note that some products feature documentation available online. It is recommended to print and retain the documentation.
- Before each use, check the product for loose/broken/damaged/missing parts, wear, or leaks (if applicable). Never use a product with loose/broken/damaged/missing parts, wear, or leaks.
- Products must be inspected and serviced (if applicable) by a qualified technician every 6 months. This is based on average residential use by persons of average size and strength, and on a property of average metropolitan size. Use beyond these recommendations may require more frequent inspections/servicing.
- Ensure that all users of the product have completed a suitable industry recognised training course before being allowed access to the product.
- The product has been supplied by a general merchandise retailer that may not be familiar with your specific application or description of application. Be sure to attain third-party approval from a qualified specialist for your application before use, regardless of any assurances from the retailer or its representatives.
- This product is not intended for use where fail-safe operation is required. As with any product (for example, automobile, computer, toaster), there is the possibility of technical issues that may require the repair or replacement of parts, or the product itself. If the possibility of such failure and the associated time it may take to rectify could in any way inconvenience the user, business, or employee, or financially affect the user, business, or employee, then the product is not suitable for your requirements. This product is not intended for use where incorrect operation or a failure of any kind, including but not limited to, a condition requiring product return, replacement, parts replacement, or service by a technician may cause financial loss, loss of employee time or an inconvenience requiring compensation.
- If this product has been purchased in error when considering the information presented here, contact the retailer directly for details of their returns policy, if required.

