

# WYBOT™



## Cordless Robotic Pool Cleaner

### User Manual

[Revision 1.0]

---

READ THIS MANUAL CAREFULLY BEFORE USE – FAILURE TO DO SO MAY RESULT IN INJURY, PROPERTY DAMAGE AND MAY VOID WARRANTY. • KEEP THIS MANUAL FOR FUTURE REFERENCE. • Products covered by this manual may vary in appearance, assembly, inclusions, specifications, description, and packaging.

---

**THE BATTERY MAY HAVE SOME CHARGE ON ARRIVAL, IT IS IMPORTANT HOWEVER THAT THE BATTERY IS CHARGED PRIOR TO USE.**

# Safety

Safety messages are designed to alert you to possible dangers or hazards that could cause death, injury or equipment or property damage if not understood or followed. Safety messages have the following symbols:



You **WILL** be **KILLED** or **SERIOUSLY INJURED** if you do not follow instructions.



You **CAN** be **KILLED** or **SERIOUSLY INJURED** if you do not follow instructions.



You **CAN** be **INJURED** if you do not follow instructions or equipment damage may occur.

It is vital that you read and understand this user manual before using the product, including safety warnings, and any assembly and operating instructions. Keep the manual for future reference.

Safety precautions and recommendations detailed here must be fully understood and followed to reduce the risk of injury, fire, explosion, electrical hazard, and/or property damage.

Safety information presented here is generic in nature – some advice may not be applicable to every product. The term "equipment" refers to the product, be it electrical mains powered, battery powered or combustion engine powered.

- **Before Use** - If you are not familiar with the safe operation/handling of the equipment or are in any way unsure of any aspect of suitability or correct use for your application, you should complete training conducted by a person or organization qualified in safe use and operation of this equipment, including fuel/electrical handling and safety.
- Do NOT operate the equipment in flammable or explosive environments, such as in the presence of flammable liquids, gases, or dust. The equipment may create sparks or heat that may ignite flammable substances.
- Keep clear of moving parts.
- Equipment may be a potential source of electric shock or injury if misused.
- Do NOT operate the equipment if it is damaged, malfunctioning or is in an excessively worn state.
- Do NOT allow others to use the equipment unless they have read this manual and are adequately trained.
- Keep packaging away from children - risk of suffocation! Operators must use the equipment correctly. When using the equipment, consider conditions and pay due care to persons and property.

## General Work Area Safety

- Work areas should be clean and well lit.
- Do not operate the equipment if bystanders, animals etc are within operating range of the equipment or the general work area.
- If devices are provided for connecting dust extraction / collection facilities, ensure these are connected and used properly. Dust collection can reduce dust-related hazards.

## General Personal Safety

- Wear appropriate protective equipment when operating, servicing, or when in the operating area of the equipment to help protect from eye and ear injury, poisoning, burns, cutting and crush injuries. Protective equipment such as safety goggles, respirators, non-slip safety footwear, hard hat, hearing protection etc should be used for appropriate equipment / conditions. Other people nearby should also wear appropriate personal protective equipment. Do not wear loose clothing or jewellery, which can be caught in moving parts. Keep hair and clothing away from the equipment.
- Stay alert and use common sense when operating the equipment. Do not over-reach. Always maintain secure footing and balance.
- Do not use the equipment if tired or under the influence of drugs, alcohol, or medication.
- This equipment is not intended for use by persons with reduced physical, sensory, or mental capabilities.

## General Fuel Safety

- Petrol/fuel/gasoline is extremely flammable – keep clear of naked flames or other ignition sources.
- Do not spill fuel. If you spill fuel, wipe it off the equipment immediately – if fuel gets on your clothing, change clothing.
- Do NOT smoke near fuel or when refuelling.
- Always shut off the engine before refuelling.
- Do NOT refuel a hot engine.
- Open the fuel cap carefully to allow any pressure build-up in the tank to release slowly.
- Always refuel in well-ventilated areas.
- Always check for fuel leakage. If fuel leakage is found, do not start, or run the engine until all leaks are fixed.

## General Carbon-Monoxide Safety

- Using a combustion engine indoors **CAN KILL IN MINUTES**. Engine exhaust contains carbon-monoxide – a poison you cannot smell or see.
- Use combustion engines **OUTSIDE** only, and far away from windows, doors, and vents.

## General Equipment Use and Care

- Keep packaging away from children and pets, potential risk of suffocation or choking.
- The equipment is designed for domestic use only.
- Handle the equipment safely and carefully.
- Before use, inspect the equipment for misalignment or binding of moving parts, loose components, damage, or any other condition that may affect its operation. If damaged, have the equipment repaired by an authorised service centre or technician before use.
- Prevent unintentional starting of the equipment - ensure equipment and power switches are in the OFF position before connecting or moving equipment. Do not carry equipment with hands or fingers touching any controls. Remove any tools or other items that are not a part of the equipment from it before starting or switching on.
- Do not force the equipment. Use the correct equipment for your application. Equipment will perform better and be safer when used within its design and usage parameters.
- Use the equipment and accessories etc. in accordance with these instructions, considering working conditions and the work to be performed. Using the equipment for operations different from those intended could result in hazardous situations.
- Always keep equipment components (engines, hoses, handles, controls, frames, housings, guards etc) and accessories (cutting tools, nozzles, bits etc) properly maintained. Keep the equipment clean and, where applicable, properly lubricated.
- Store the equipment out of reach of children or untrained persons. To avoid burns or fire hazards, let the equipment cool completely before transporting or storing. Never place or store the equipment near flammable materials, combustible gases, or liquids etc.
- The equipment is not weather-proof, and should not be stored in direct sunlight, at high ambient temperatures or locations that are damp or humid.
- Do not clean equipment with solvents, flammable liquids, or harsh abrasives.
- For specific equipment safety use and care, see Equipment Safety.

**General Electrical Safety**

- Inspect electrical equipment, extension cords, power bars, and electrical fittings for damage or wear before each use. Repair or replace damaged equipment immediately.
- Ensure all power sources conform to equipment voltage requirements and are disconnected before connecting or disconnecting equipment.
- When wiring electrically powered equipment, follow all electrical and safety codes.
- Always use a Residual Current Device (RCD) (GFCI) / Earth Leakage Circuit Breaker / Safety Switch when operating this item (electrical items only).
- High voltage / high current power lines may be present. Use extreme caution to avoid contact or interference with power lines. Electrical shock can be fatal.

**General Electrical Safety**

- Electrically grounded equipment must have an approved cord and plug and be connected to a grounded electrical outlet.
- Do NOT bypass the ON/OFF switch and operate equipment by connecting and disconnecting the electrical cord.
- Do NOT use equipment that has exposed wiring, damaged switches, covers or guards.
- Do NOT use electrical equipment in wet conditions or in damp locations.
- Do NOT use electrical cords to lift, move or carry equipment.
- Do NOT coil or knot electrical cords, and ensure electrical cords are not trip hazards.

**General Service Information**

- The equipment must be serviced or repaired at authorised service centres by qualified personnel only.
- Replacement parts must be original equipment manufacturer (OEM) to ensure equipment safety is maintained.
- Do NOT attempt any maintenance or repair work not described in this manual.
- After use, the equipment and components may still be hot – allow the equipment to cool and disconnect spark plugs and/or electrical power sources and/or batteries from it before adjusting, changing accessories, or performing repair or maintenance.
- Do NOT adjust while the equipment is running.
- Perform service-related activities in suitable conditions, such as a workshop.
- Replace worn, damaged or missing warning/safety labels immediately.

**Child Choking Hazard!**

**• WARNING: CHOKING HAZARD - CHILDREN UNDER 8 YRS. CAN CHOKE OR SUFFOCATE ON SMALL PARTS. ADULT SUPERVISION REQUIRED.**

- Carefully inspect anything a baby or child could gain access to, including this product & packaging.
- Dangers include anything of a size that could become stuck or lodged in a baby or child's airway.
- Dangers include things like raw, hard fruit and vegetable pieces, large pieces of meat, bones or sausage skins, popcorn, nuts, hard lollies and corn chips, small magnets and batteries, coins, beads, marbles and small uninflated balloons, broken toys and smaller toys, buttons, keys, and coins. But there are also many more.
- Pay particular attention to accessories, nuts, bolts, screws, washers, caps, covers, loose parts, parts that could be removed or break off, pieces of packaging, staples, tape etc.
- In the case of any doubt, secure the item of concern in an appropriate manner, or completely remove the possibility of access by a baby or child.

**WARNING!**

**FAILURE TO OPERATE THE DEVICE IN ACCORDANCE WITH THESE WARNINGS MAY RESULT IN SERIOUS INJURY, ELECTRIC SHOCK, OR DEATH.**

- Use only accessories recommended or supplied by the manufacturer.
- Dry the charging port after each cleaning. Moisture in the charging socket may cause electric shock.
- Do not charge the cleaner while it is operating (indicator light on).
- Use only the original, authorised charger supplied by the manufacturer. Do not use this charger for other devices. Improper use may cause overheating or battery leakage.
- Ensure the power outlet is protected by a residual current device (RCD).
- Do not use the charger if the cord is damaged, as this may cause electric shock.
- Do not use an extension lead with the charger.
- Do not allow children to ride on, sit on, or play with the cleaner.
- Children must not operate or maintain the device.
- Do not enter the pool while the cleaner is operating.
- Do not expose or charge the device in flammable environments.
- Only licensed professionals may disassemble sealed components of the cleaner.
- Do not operate the cleaner while the pool filtration system is running.

**CAUTION!**

**FAILURE TO FOLLOW THESE CAUTIONS MAY RESULT IN DAMAGE TO THE DEVICE OR PERSONAL INJURY.**





















- Fully charge the cleaner before first use.
- Do not overcharge the cleaner, as this may reduce battery life.
- Charge the cleaner before long-term storage (over 6 months) to maintain battery performance.
- Clean the filter basket after each use.
- Store the cleaner in a cool, well-ventilated area, away from direct sunlight and heat sources.
- Use the pool cleaner only in water with the following conditions:




**Cordless Robotic Pool Cleaner**

<b>Parameter</b>	<b>Specification</b>
Chlorine	Maximum 4 mg/L
pH	7.0 – 7.8
Water temperature	5 – 35 °C
Salinity (NaCl)	Maximum 5,000 ppm

# Safety Symbols

The product may have safety warning labels attached to it, explained below. Understand the symbols on your product and their meanings. If any stickers become unreadable, unattached etc., replace them.

 <p><b>Flammable Material Hazard</b> Flammable liquids, gases, or substances etc may present. Avoid ignition sources and open flames. Danger of fire.</p>	 <p><b>Read User Manual</b> Read and fully understand product safety warnings, operation, procedures etc before using the product.</p>	 <p><b>Use Hand Protection</b> Wear appropriate hand protection and take due care as the product or use of the product may present hand hazards.</p>	 <p><b>Carbon-Monoxide Hazard</b> Do not use the product in confined areas or without adequate ventilation. Carbon-monoxide poisoning can be fatal.</p>
 <p><b>Electrocution / Electrical Shock Hazard</b> High voltage or high current electricity may be present or required by the product. Take due care when handling electrical products, cables, plugs and leads. Electrical shock can be fatal.</p>	 <p><b>Toxic Fumes / Dust Hazard</b> Using the product or by-products from use may produce fumes, smoke or particles that could be harmful if inhaled. Wear appropriate breathing protection and have adequate ventilation.</p>	 <p><b>Explosive Material Hazard</b> Combustible liquids, gases, or substances etc may be present. Avoid ignition sources and open flames. Danger of explosion.</p>	 <p><b>Cutting / Amputation Hazard</b> The product may have blades, edges or mechanical devices that can cause severe cut injury to fingers, limbs etc. Take due care when handling and using the product.</p>
 <p><b>Crush Hazard</b> The product may have blades, edges or mechanical devices that can cause severe crush injury to fingers, limbs etc. Take due care when handling and using the product.</p>	 <p><b>Single Operator Only</b> The product must be operated by a single person only. More than one person operating the product may introduce additional hazards.</p>	 <p><b>Use Face Protection</b> Wear appropriate full-face protection and take due care as the product or use of the product may present face and eye hazards.</p>	 <p><b>Use Foot Protection</b> Wear appropriate foot protection and take due care as the product or use of the product may present foot hazards.</p>
 <p><b>Use Eye / Ear / Head Protection</b> Wear appropriate eye and / or ear and / or head protection and take due care as the product or use of the product may present eye, hearing, and head hazards.</p>	 <p><b>Running Hazard</b> Do not run on or near the product as doing so may present a fall hazard.</p>	 <p><b>Diving Hazard</b> Do not dive into the product as doing so may present a neck / head injury hazard.</p>	 <p><b>Adult Supervision Required</b> Always supervise children and other users of a product to prevent drowning or injury.</p>
 <p><b>Skin Penetration / Puncture Hazard</b> The product may produce pressure, emit liquids or objects that can cause severe injury to fingers, limbs, blood etc. Take due care when handling and using the product.</p>	 <p><b>Hot Surface Hazard</b> Be aware that the product may produce high temperatures and hot surfaces that can cause burn injuries.</p>	 <p><b>Flying Debris Hazard</b> Be aware that the product or use of the product may present hazards produced by flying debris. Wear appropriate clothing and protective devices.</p>	 <p><b>Moving Parts Hazard</b> Be aware that the product contains or uses mechanical devices that move or rotate. Always wait for moving parts to stop fully before handling the product, adjusting, maintenance etc.</p>

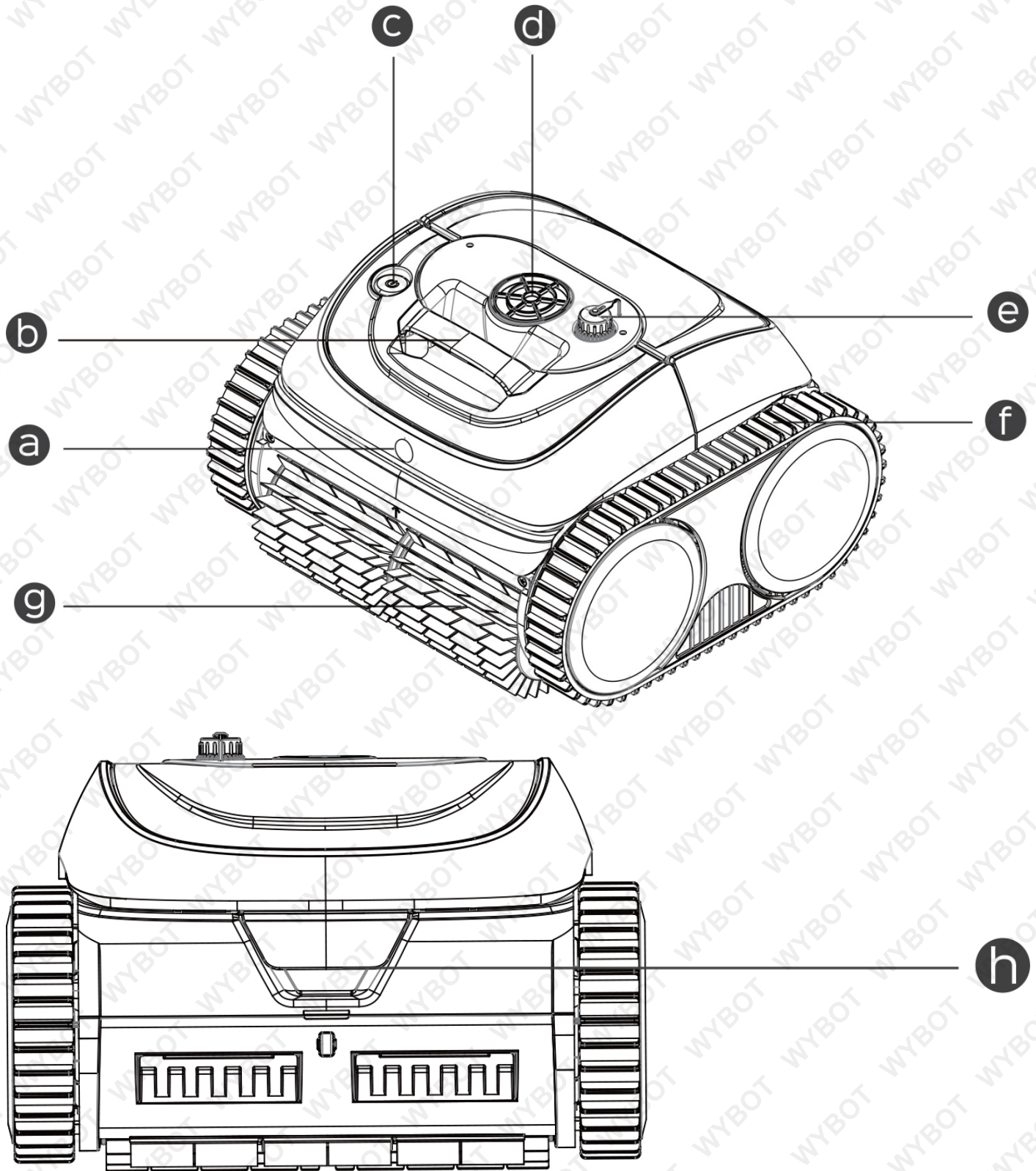
 <p><b>Carbon-Monoxide Hazard</b> Do not use the product in confined areas or without adequate ventilation. Carbon-monoxide poisoning can be fatal.</p>	 <p><b>Pull Hazard</b> Be aware that the product contains or uses mechanical devices that can pull in objects and can cause severe injury to fingers, limbs etc. Take due care when handling and using the product.</p>	 <p><b>Slope / Fall Injury Hazard</b> Be aware that using the product on sloping surfaces or in slippery conditions may present additional dangers from falls and contact with blades, moving parts, hot surfaces etc.</p>	 <p><b>"Slam Dunk" Warning</b> Do NOT attempt "slam dunk" manoeuvres as this may result in severe injury due to falling, product breakage or collapse etc.</p>
 <p><b>Electrocution / Electrical Shock Hazard - Outdoor</b> High voltage or high current electricity may be present or required by the product. Do NOT use in rain, damp, or wet conditions. Electrical shock can be fatal.</p>	 <p><b>Electrocution / Electrical Shock Hazard - Disconnect</b> High voltage or high current electricity may be present or required by the product. Always disconnect the product from the electrical supply before handling the product, adjusting, maintenance etc.</p>	 <p><b>Power Line Electrocution Hazard</b> High voltage / high current power lines may be present. Use extreme caution to avoid contact or interference with power lines. Electrical shock can be fatal.</p>	 <p><b>"Kick-Back" Hazard</b> High level of "kick-back" hazard that can cause the machine to suddenly rotate towards operator. Kick-back injury can be fatal.</p>
 <p><b>Winch Operator Position Hazard</b> Do NOT stand between winch and load. Do NOT use winch to move people.</p>	 <p><b>Winch Lift Hazard</b> Do NOT LIFT load vertically. Use machine to PULL only.</p>	 <p><b>Cable Hazard</b> Ensure that load bearing cable is not kinked or knotted.</p>	 <p><b>Winch Cable Hazard</b> Ensure that there is a minimum number of cable coils on winching mechanism.</p>
 <p><b>Winch Hook Hazard</b> Carry hook to load – do NOT throw or run.</p>	 <p><b>Flash / Blinding Hazard</b> Wear appropriate eye protection for welding. Direct exposure to weld arcs may cause permanent eye injury.</p>	 <p><b>Laser Hazard</b> Laser may be in use – do NOT look directly at laser or allow others to.</p>	 <p><b>Choking Hazard</b> Children under 8 yrs. Can choke or suffocate on small parts. Adult supervision required.</p>

# Table of Contents

<b>Safety</b> .....	<b>2</b>
Safety Symbols .....	5
<b>Parts Identification</b> .....	<b>8</b>
External Overview .....	8
Internal Overview .....	9
Packing List .....	10
<b>Get Started</b> .....	<b>11</b>
Charging the Device .....	11
<b>Operation</b> .....	<b>13</b>
Set Up the Device .....	13
Connect to the App .....	13
Choose Your Cleaning Mode .....	13
Preset Your Cleaning Cycle via the App .....	14
Operating the Device .....	15
Filter Cleaning .....	17
<b>Lithium Battery Care and Maintenance</b> .....	<b>18</b>
Top 3 Battery Care Requirements .....	18
<b>How to Maintain Your Device</b> .....	<b>20</b>
<b>FAQs</b> .....	<b>21</b>
<b>Troubleshooting</b> .....	<b>22</b>
<b>Specifications</b> .....	<b>23</b>

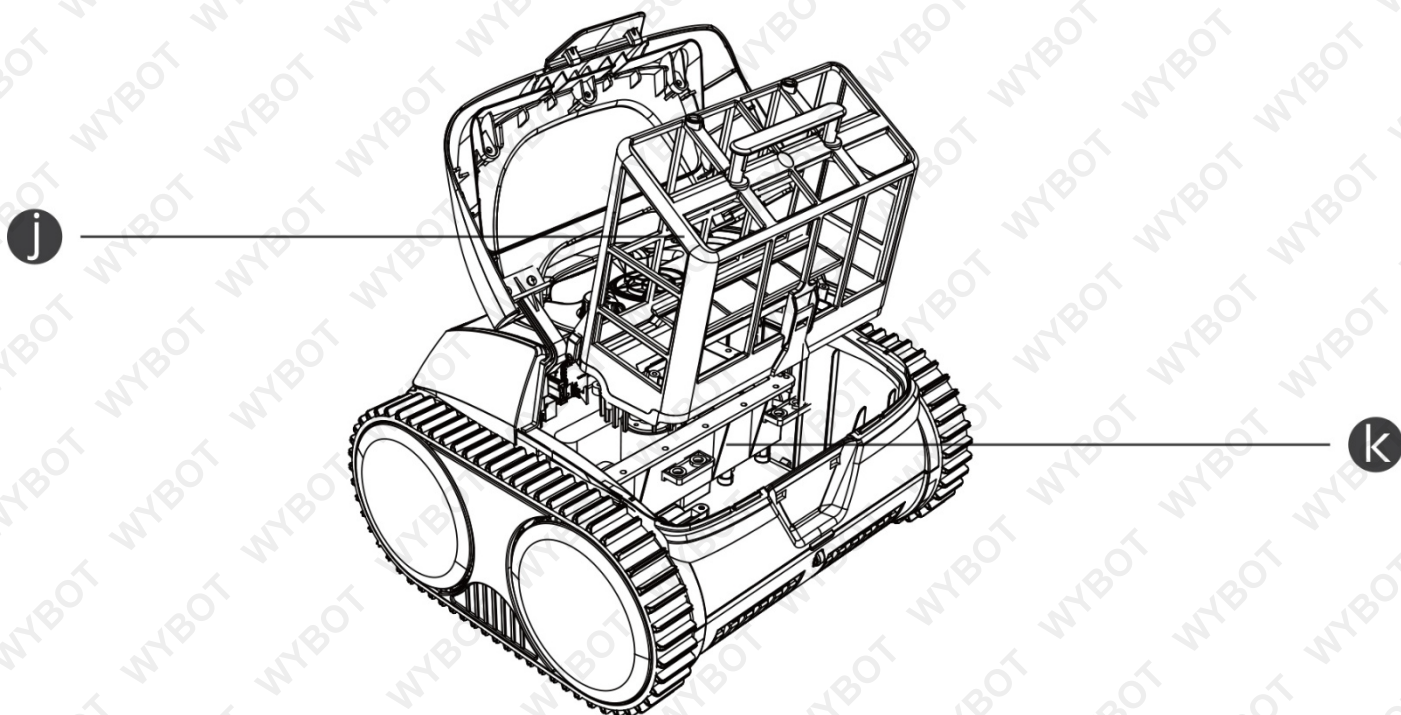
# Parts Identification

## External Overview



Letter	Name
<b>A</b>	<b>LED Indicator</b> Displays different light colours to indicate the operating status of the device.
<b>B</b>	<b>Handle</b> Used to lift, remove, and transport the cleaner.
<b>C</b>	<b>On/Off Button</b> Turns the device on or off.
<b>D</b>	<b>Pump</b> Draws in debris and expels water through the outlet.
<b>E</b>	<b>Charging Port</b> Connect the charging cable here.
<b>F</b>	<b>Track</b> Provides traction and enables the cleaner to climb pool walls and navigate obstacles.
<b>G</b>	<b>Scrubbing Brush</b> Loosens dirt and debris and directs it into the cleaner.
<b>H</b>	<b>Filter Cover Handle</b> Hold and press to open the filter cover.

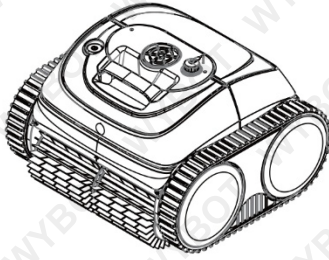
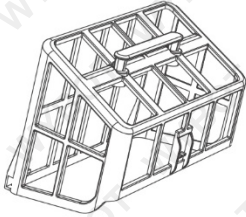
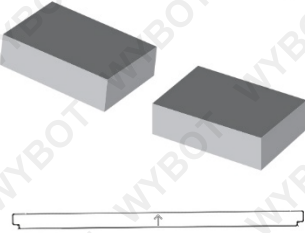
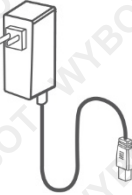
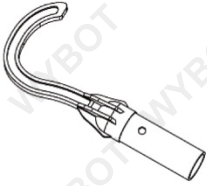
## Internal Overview



Letter	Name
<b>J</b>	<b>Filter Basket</b> Collects dirt and debris. Clean after each use.
<b>K</b>	<b>Sealed Part</b> Contains critical internal components. For safety reasons, do not attempt to disassemble without authorisation.

**Important: Do not operate the device if the top cover or scrubbing brushes are damaged. If any liquid leakage is detected from a sealed component, immediately stop charging and discontinue use of the device.**

# Packing List

 <p>Device x 1</p>	 <p>Filter Basket x 1</p>	
 <p>Floating Parts</p>	 <p>Charger x 1</p>	 <p>Hook x 1</p>

## Get Started

### Charging the Device

The device is powered by a lithium-ion rechargeable battery. Fully charge the battery before first use and whenever the battery level is low.

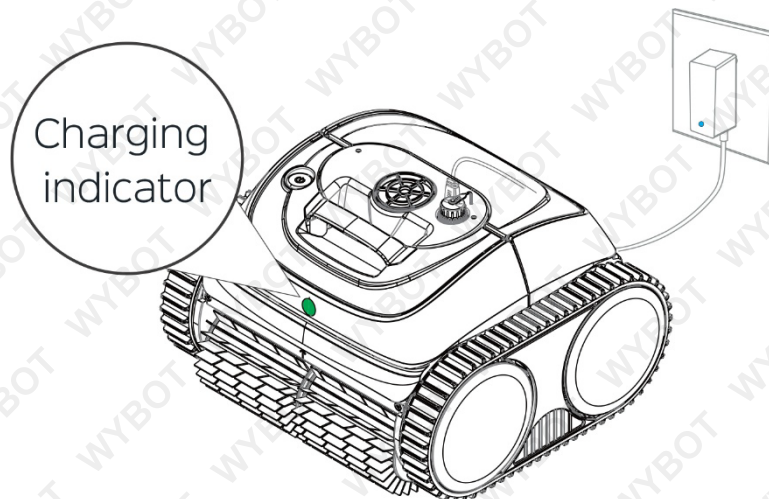
Connect the device to a suitable power outlet using the supplied charging cable and adaptor.

#### Notes

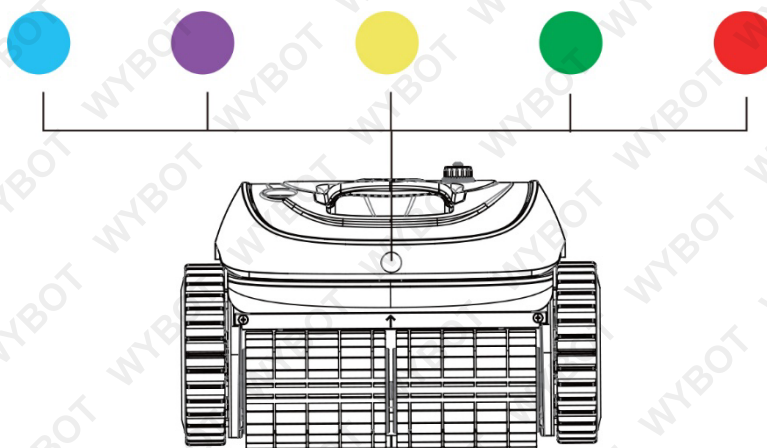
- When charging, ensure the device is placed at least 3 metres away from the edge of the pool.
- To reduce the risk of fire, keep the device and adaptor away from direct sunlight and water while charging.
- For safety, ensure the device is switched off and the charging port is completely dry before charging.
- The recommended charging environment is a temperature range of 0 °C to 35 °C, with relative humidity between 5% and 95%.

#### Charging Indicators

- The adaptor indicator light illuminates blue ● to indicate that power is supplied.
- The LED indicator on the front of the device displays charging status as follows:
  - Flashing yellow ● : charging started
  - Flashing green ● : charging in progress
  - Solid green ● : fully charged



Refer to the LED indicator colours below to identify the current operating status of the device.



### LED Indicator Status

LED Light	Indicator	Status
Blue	Solid	Power on
Blue	Flashing	Operating
Purple	Solid	Connecting to app
Yellow	Flashing	Charging started, low battery, or self-parking in the pool
Green	Flashing	Charging in progress
Green	Solid	Fully charged
Red	Solid or flashing	Fault

### Notes

- If the yellow light flashes, remove the device from the water and charge it.
- If the red light is on, refer to the troubleshooting section of this manual or contact service support.

# Operation

## Set Up the Device

1. Turn on the device by pressing the On/Off button.
2. When the device is switched on, the LED indicator on the front will display a solid ● blue light.

**Note: If the LED indicator flashes ● yellow when the device is powered on, the battery level is low. Remove the device from the water and charge it immediately.**

## Connect to the App

Download the mobile app to your smartphone by scanning the QR code below or by searching for the app in the **App Store** or **Google Play**.

### System requirements:

- **iOS:** iOS 15.0 or later
- **Android:** Android 8.0 or later



## Choose Your Cleaning Mode

After connecting to the app, you can select a suitable cleaning mode for the device.

Five cleaning modes are available, as outlined below.

### Cleaning Modes

Mode	Cleaning Coverage
Full pool cleaning	Walls, floor, and waterline
Floor only	Pool floor
Wall only	Pool walls
Wall then floor	Walls first, then floor
Eco floor	Floor cleaning with extended runtime compared to Floor only mode

### Notes

- Cleaning modes can be preset via the app before placing the device in the pool. The default mode is Wall then floor.
- If the device restarts, it will automatically resume the last selected cleaning mode.

## Preset Your Cleaning Cycle via the App

You can schedule a cleaning cycle by selecting **Cycle Time** in the app and choosing your preferred option.

The cleaning patterns below illustrate how each cycle operates.

### Cleaning Cycles

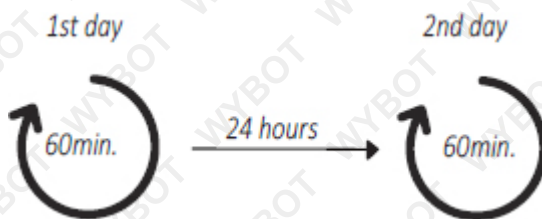
#### Cycle 1 (Default):

One cleaning session of 120 minutes



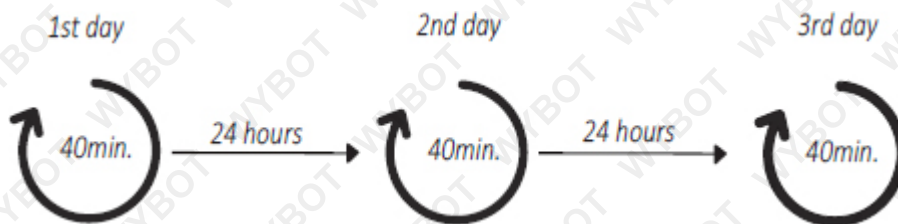
#### Cycle 2:

Two cleaning sessions of 60 minutes, separated by 24 hours



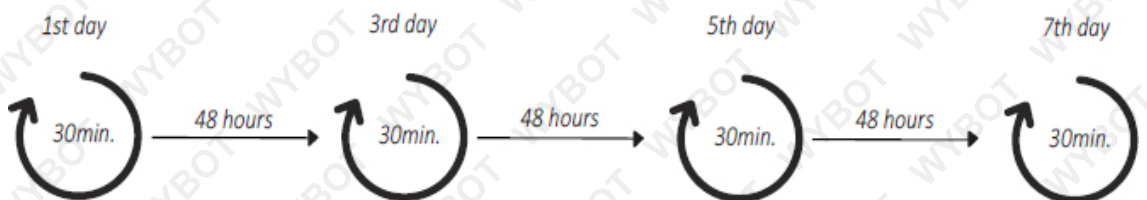
#### Cycle 3:

Three cleaning sessions of 40 minutes, each separated by 24 hours



#### Cycle 4:

Four cleaning sessions of 30 minutes, each separated by 48 hours

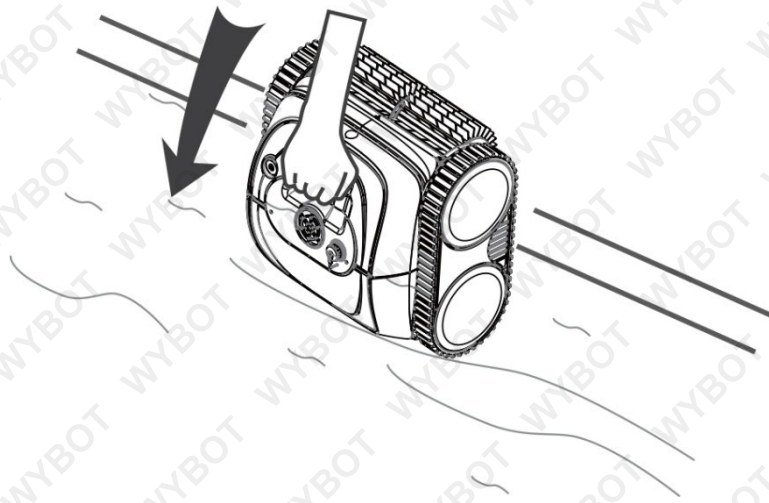


### Notes

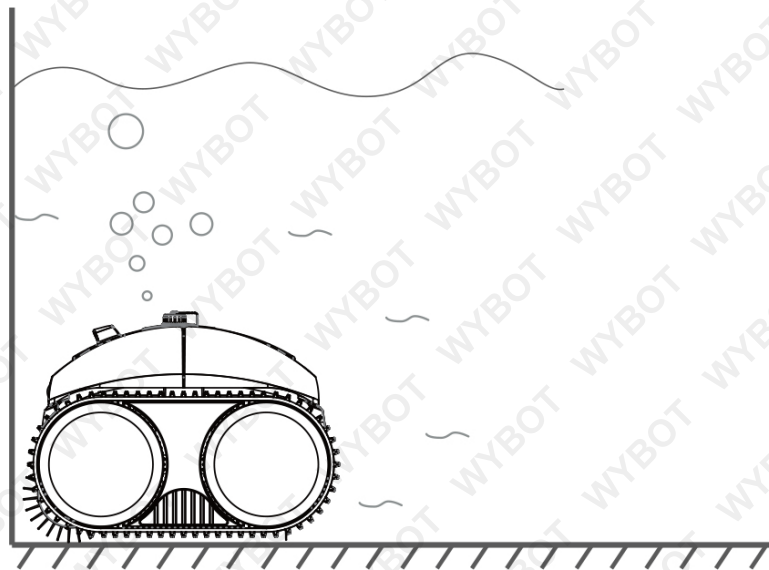
- When using a cycle cleaning mode, ensure the device is fully charged before use.
- The default cleaning cycle is a single 2-hour cleaning session.
- For cycle modes other than the default, keep the device in the pool until all scheduled cleaning cycles are completed.

## Operating the Device

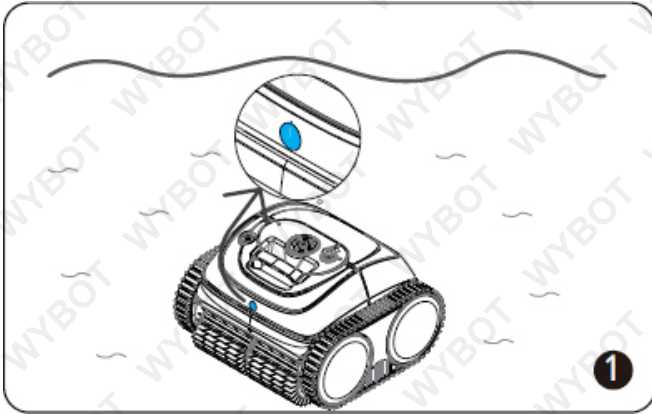
Hold the cleaner by the handle and place it into the pool within 3 minutes of switching it on. If the device is not placed in the water within this time, it will automatically switch off.



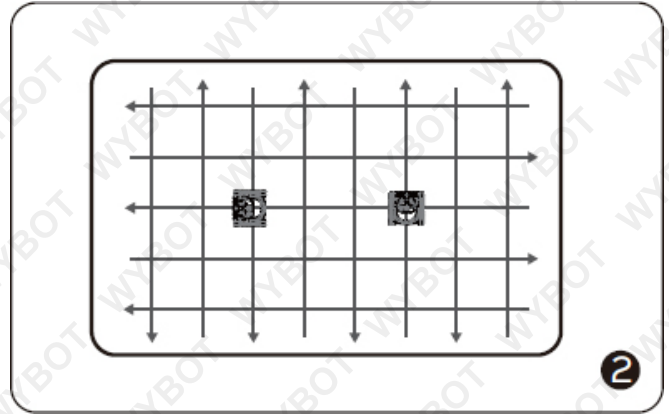
Allow the cleaner to sink to the pool floor so that any trapped air can escape.



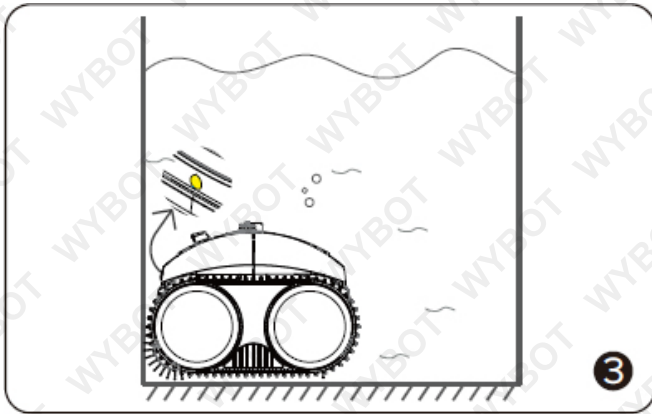
**Note For optimal cleaning performance, ensure the water depth is at least 50 cm above the top of the device.**



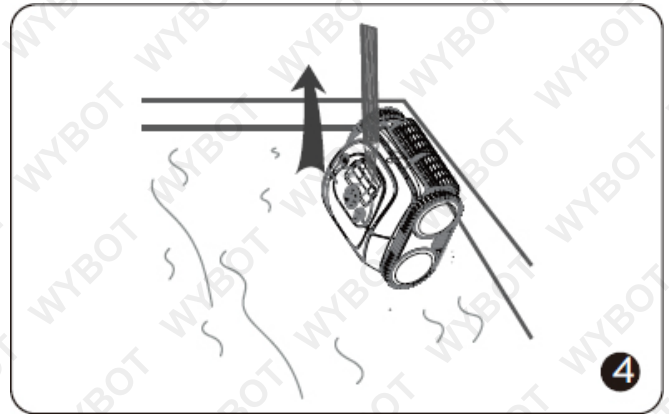
After approximately 20 seconds of automatic calibration on the pool floor, the LED indicator will begin flashing ● blue. The cleaner is now ready to operate.



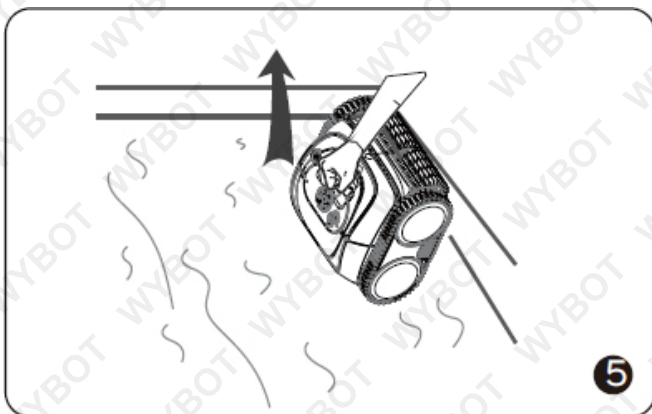
The cleaner will begin cleaning the walls, floor, and waterline, based on the default mode or the mode you have selected.



When cleaning is complete or the battery level is low, the cleaner will automatically move to the edge of the pool wall and stop.



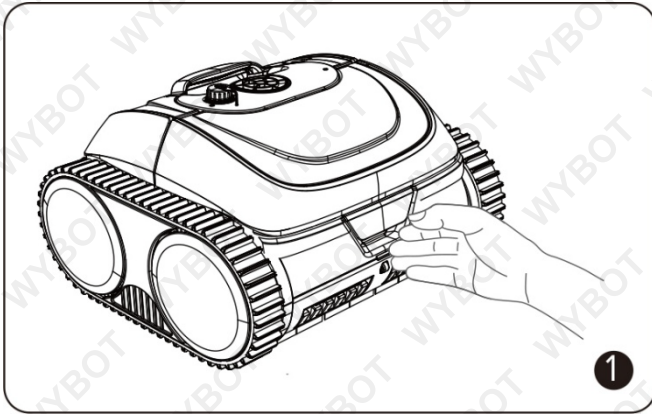
Attach the supplied hook to a pool pole and use it to lift the cleaner out of the pool.



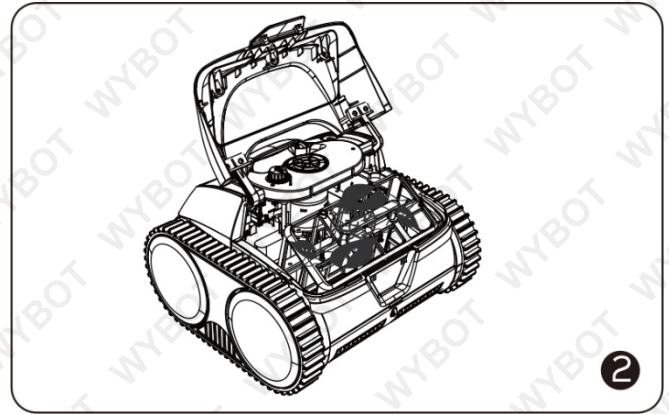
Lift the cleaner vertically to allow water inside the unit to drain quickly.

**Note: If you have selected a cleaning cycle other than the default mode, leave the cleaner in the pool until all scheduled cleaning cycles are completed.**

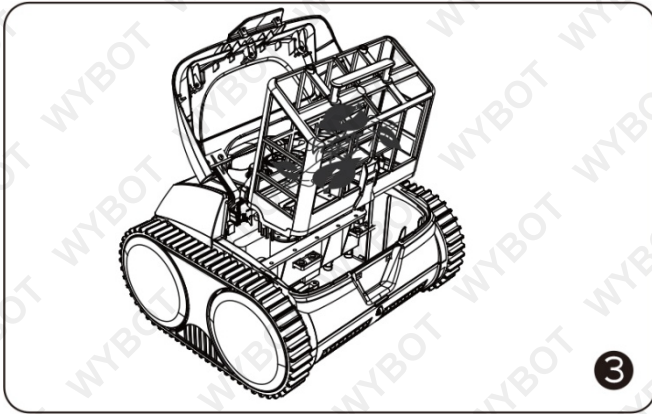
## Filter Cleaning



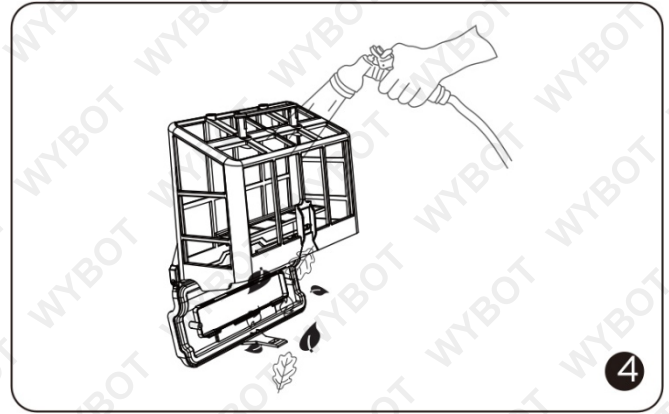
Hold the filter cover handle, press it, and open the cover.



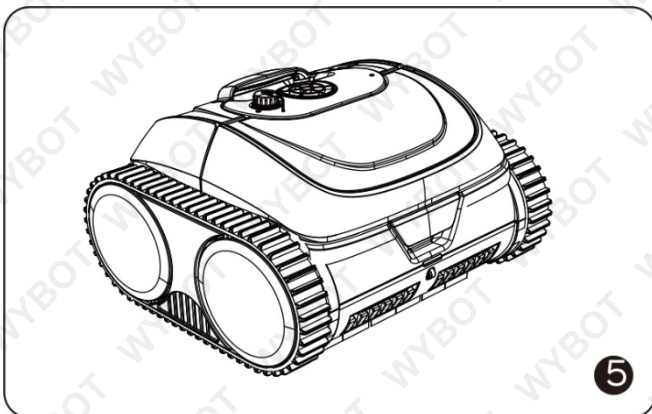
Ensure the device is switched off before opening the top cover.



Remove the filter basket from the cleaner.



Empty all debris and rinse the filter basket thoroughly with clean water.





Reinsert the filter basket into the cleaner and close the cover securely.

**Notes: Always ensure the device is powered off before opening the cover. Clean the filter basket before it dries to prevent debris from hardening.**

# Lithium Battery Care and Maintenance

## Top 3 Battery Care Requirements

1. **Charge battery before first use.** The battery may arrive with some charge, regardless of this the battery must be charged for 3 hours on the initial charge and 3 hours for each subsequent charge. 
2. **Charge battery immediately when it is depleted.** Do not store a depleted battery. This will permanently impact the life of the battery. If the battery is going to be stored for a period of time, fully charge the battery before storing. 

To ensure the battery maintains optimum performance, follow the guidelines outlined below.

- For best results, charge batteries in temperatures between 10°C and 30°C
- When battery is charged, disconnect the charger from the power supply and remove the battery from the charger.
- If a battery is stored or otherwise unused for an extended period, and the battery has no charge remaining when you check it, consider it to be damaged. Do not attempt to recharge it or to use it. Replace it with a new battery.
- Use only with the battery charger specified by the manufacturer.
- Ensure that the battery charger electrical cord is not subjected to damage or stress. Do not operate the battery charger if it has a damaged electrical cord or plug.
- Do not use the charger in wet areas or expose it to rain or water.
- The typical estimated life of a Lithium-Ion battery is about two to three years or 300 to 500 charge cycles, whichever occurs first. One charge cycle is a period of use from fully charged, to fully discharged, and fully recharged again.
- Explosion hazard – protect the battery against heat, for example, direct sunlight and fire. Do not store batteries in vehicles or locations subject to heat.
- Batteries can explode in the presence of an ignition source, such as a pilot light. To reduce the risk of serious personal injury, never use any cordless product in the presence of open flame. Exploding batteries can propel debris and chemicals.
- Do not open the battery – danger of short-circuiting and/or explosion.
- Do not attempt to destroy or disassemble the battery pack or remove any of its components.
- Do not touch the battery terminals with metal objects and/or body parts as short-circuit and/or personal injury may result.
- Explosion hazard – do not open and/or short-circuit the battery.
- Poison hazard – battery leakage (liquid ejection). Under extreme conditions, liquid may be ejected from the battery – avoid contact. If contact accidentally occurs, immediately seek medical attention, and flush with water. If liquid contacts eyes, immediately seek medical attention, flush with clean water for at least 10 minutes. Liquid ejected from the battery may cause irritation or burns.
- Dispose of non-serviceable batteries in an environmentally responsible manner and according to local regulations.

Failure to adhere to the requirements above may result in the battery becoming inoperative or battery life being reduced. In extreme cases or abuse, battery overheating, or fire may result.

## DANGER - BATTERY CHARGING, USE AND STORAGE

Like mobile phones, laptops, cordless vacuum cleaners etc, this product may contain or be related to a lithium ion battery pack (lithium ion batteries and lithium ion battery related items only). Lithium ion batteries allow fast charging and high capacities, however care must be taken to reduce chances of a fault, and increase safety in case a fault occurs. Catastrophic incidents involving lithium ion batteries have a tendency to result in large amounts of smoke and fire. Be sure to follow the points below to reduce the likelihood of danger whenever you use, charge or store any lithium ion battery.

- Never charge a battery that has been damaged or subjected to a forceful impact.
- Never charge a battery that has been exposed to moisture or water.
- Never charge a battery with a charger that wasn't supplied with the battery.
- Never use a battery in a device that it wasn't specifically designed for.
- Never use a battery with a modified or damaged device.
- Never modify the battery, product, charger, circuitry or wiring.
- Never charge a battery in an exit path that may be used by people to leave a room or building in case of an emergency, for example, the hallway or foyer of a residence.
- Never charge a battery in an area or building that doesn't have the recommended number of working smoke detectors that have been tested in accordance with local guidelines.
- Never charge a battery when the battery or charger is displaying a problem or charging incorrectly.
- Always charge batteries on a non-combustible surface, for example, on a concrete floor.
- Always charge batteries at least 3m away from anything combustible, such as floors, wall surfaces, furniture, storage shelves etc.
- Always charge batteries in an open area (outside if possible) ensuring the battery and charger are away from moisture and water.
- Always disconnect batteries from the charger after charging.
- Always remove or disconnect batteries from the device/product when not in use.
- Always ensure batteries are charged under adult supervision. Do not charge unattended. Do not charge batteries while no one is home or while people are sleeping.
- Keep batteries away from heat and moisture.
- Damaged batteries should be disposed of through your local e-waste collection service.
- Avoid mixing and matching chargers. Unplug products when fully charged, and charge batteries in a cool, dry place away from combustible materials like beds, lounges, or carpet.
- During charging and use, check your lithium-ion batteries for overheating, signs of swelling, leaking, or venting gas. Immediately stop using your product if these signs are present.
- Allow batteries to cool after use and before charging.

## How to Maintain Your Device

Follow these steps when storing the cleaner to maintain optimal performance:

1. Ensure the device is switched off.
2. Thoroughly dry the cleaner and filter basket.
3. Fully charge the battery before storage.
4. Store the cleaner in a cool, well-ventilated area, away from direct sunlight, heat sources, frost, or pressure.

**Recommended storage temperature: 5 °C to 45 °C.**

5. Recharge the cleaner every three months to maintain battery health.

**Note: If the device does not operate after extended storage or prolonged low battery levels, contact the manufacturer for assistance. For safety reasons, do not attempt to disassemble the device without authorisation.**

## FAQs

**Q: What pool shapes and construction materials is the cleaner suitable for?**

A: The cleaner is suitable for rectangular, oval, and irregularly shaped in-ground pools.

Compatible pool surfaces include PVC, gunite, and other high-friction materials.

Very smooth surfaces such as tiles, mosaics, and acrylic may reduce climbing performance and are not recommended without modification.

**Q: Will obstacles such as steps, shallow areas, drains, or slopes affect operation?**

A: The cleaner is designed to navigate common pool features, including steps, drains, slopes, and shallow water areas.

If you experience any issues while using the cleaner, refer to the troubleshooting table below to identify and resolve the problem.

**Note: If the issue cannot be resolved using the troubleshooting table, contact the manufacturer for assistance.**

# Troubleshooting

No.	Issue	Indicator / Symptom	Possible Cause	Suggested Solution
1	Device does not operate	● Red light (solid)	Impeller jammed	Check the impeller and remove any foreign objects
		● Red light (flashing)	Motor protection activated	Restart the device
		● Red light (flashing)	Device not placed in water or water depth too shallow	Restart and place the device in the pool immediately. Ensure water depth is over 0.5 m
		● Yellow light (flashing)	Battery low	Fully charge the device and restart
2	Unable to charge	Charger indicator flashing	Poor electrical contact	Unplug and reconnect the charger
3	Does not climb walls	—	Slippery pool surface	Install floating parts (contact the manufacturer for guidance)
		—	Water too dirty	Clean the filter basket
4	Abnormal wall climbing	Climbs slowly	Filter basket blocked	Clean the filter basket
		Sinks away from wall or floats	Air intake issue	Install floating parts (contact the manufacturer for guidance)
		—	Filter basket blocked	Clean the filter basket
5	Cleans only part of the pool	—	Incorrect cleaning mode selected	Connect to the app and select a suitable cleaning mode
		—	Firmware not up to date	Connect to the app and update the firmware
6	Front side lifts when on the pool floor	—	Filter basket blocked	Clean the filter basket
7	Does not follow the selected cleaning path	—	Obstructions in the pool	Remove obstacles and clean the filter basket
	Unable to connect to the app	—	Device powered off	Restart the device
8	App cannot connect while device is in the pool	—	Wireless connection unavailable underwater	Connect to the device while it is out of the pool

# Specifications

<b>Power (Watts)</b>	65W
<b>Battery Type</b>	Lithium Ion
<b>Battery Voltage</b>	24V
<b>Battery Capacity</b>	4600mAh
<b>Charging Modes</b>	Corded
<b>Charge Time</b>	3hr
<b>IP Rating</b>	IPX8
<b>Runtime</b>	Up to 150 mins
<b>Pool Type</b>	Above-ground & in-ground
<b>Pool Surfaces</b>	Cement, vinyl liner, mosaic,
<b>Pool Shape</b>	All shapes
<b>IP Grade</b>	IPX8
<b>Water Depth</b>	Up to 3m
<b>Moving Speed</b>	16 m/min
<b>Cleaning Modes</b>	5 modes
<b>Self-Parking</b>	Yes
<b>Anti-Stranding Design</b>	Yes
<b>Smart Obstacle Avoidance</b>	Yes
<b>IP Grade</b>	IPX8
<b>Remote Control</b>	Bluetooth Via App
<b>App Name</b>	WYBOT (Android 8.0 or later, iOS 15.0 or later)
<b>Wall Climbing</b>	Yes



**Some experts believe that the incorrect or prolonged use of almost any product may cause serious injury or death. To help reduce your risk of serious injury or death, refer to the information below. For more information, see [www.datastreamserver.com/safety](http://www.datastreamserver.com/safety)**

- Consult all documentation, packaging, and product labelling before use. Note that some products feature documentation available online. It is recommended to print and retain the documentation.
- Before each use, check the product for loose/broken/damaged/missing parts, wear, or leaks (if applicable). Never use a product with loose/broken/damaged/missing parts, wear, or leaks.
- Products must be inspected and serviced (if applicable) by a qualified technician every 6 months. This is based on average residential use by persons of average size and strength, and on a property of average metropolitan size. Use beyond these recommendations may require more frequent inspections/servicing.
- Ensure that all users of the product have completed a suitable industry recognised training course before being allowed access to the product.
- The product has been supplied by a general merchandise retailer that may not be familiar with your specific application or description of application. Be sure to attain third-party approval from a qualified specialist for your application before use, regardless of any assurances from the retailer or its representatives.
- This product is not intended for use where fail-safe operation is required. As with any product (for example, automobile, computer, toaster), there is the possibility of technical issues that may require the repair or replacement of parts, or the product itself. If the possibility of such failure and the associated time it may take to rectify could in any way inconvenience the user, business, or employee, or financially affect the user, business, or employee, then the product is not suitable for your requirements. This product is not intended for use where incorrect operation or a failure of any kind, including but not limited to, a condition requiring product return, replacement, parts replacement, or service by a technician may cause financial loss, loss of employee time or an inconvenience requiring compensation.
- If this product has been purchased in error when considering the information presented here, contact the retailer directly for details of their returns policy, if required.

