



TR-55 Telescopic Rotary Surface Scrubber

User Manual

[Revision 1.0]

READ THIS MANUAL CAREFULLY BEFORE USE – FAILURE TO DO SO MAY RESULT IN INJURY, PROPERTY DAMAGE AND MAY VOID WARRANTY. • KEEP THIS MANUAL FOR FUTURE REFERENCE. • Products covered by this manual may vary in appearance, assembly, inclusions, specifications, description, and packaging.

Safety

Safety messages are designed to alert you to possible dangers or hazards that could cause death, injury or equipment or property damage if not understood or followed. Safety messages have the following symbols:



You **WILL** be **KILLED** or **SERIOUSLY INJURED** if you do not follow instructions.



You **CAN** be **KILLED** or **SERIOUSLY INJURED** if you do not follow instructions.



You **CAN** be **INJURED** if you do not follow instructions or equipment damage may occur.

It is vital that you read and understand this user manual before using the product, including safety warnings, and any assembly and operating instructions. Keep the manual for future reference.

Safety precautions and recommendations detailed here must be fully understood and followed to reduce the risk of injury, fire, explosion, electrical hazard, and/or property damage.

Safety information presented here is generic in nature – some advice may not be applicable to every product. The term "equipment" refers to the product, be it electrical mains powered, battery powered or combustion engine powered.

- **Before Use** - If you are not familiar with the safe operation/handling of the equipment or are in any way unsure of any aspect of suitability or correct use for your application, you should complete training conducted by a person or organization qualified in safe use and operation of this equipment, including fuel/electrical handling and safety.
- Do NOT operate the equipment in flammable or explosive environments, such as in the presence of flammable liquids, gases, or dust. The equipment may create sparks or heat that may ignite flammable substances.
- Keep clear of moving parts.
- Equipment may be a potential source of electric shock or injury if misused.
- Do NOT operate the equipment if it is damaged, malfunctioning or is in an excessively worn state.
- Do NOT allow others to use the equipment unless they have read this manual and are adequately trained.
- Keep packaging away from children - risk of suffocation! Operators must use the equipment correctly. When using the equipment, consider conditions and pay due care to persons and property.

General Work Area Safety

- Work areas should be clean and well lit.
- Do not operate the equipment if bystanders, animals etc are within operating range of the equipment or the general work area.
- If devices are provided for connecting dust extraction / collection facilities, ensure these are connected and used properly. Dust collection can reduce dust-related hazards.

General Personal Safety

- Wear appropriate protective equipment when operating, servicing, or when in the operating area of the equipment to help protect from eye and ear injury, poisoning, burns, cutting and crush injuries. Protective equipment such as safety goggles, respirators, non-slip safety footwear, hard hat, hearing protection etc should be used for appropriate equipment / conditions. Other people nearby should also wear appropriate personal protective equipment. Do not wear loose clothing or jewellery, which can be caught in moving parts. Keep hair and clothing away from the equipment.
- Stay alert and use common sense when operating the equipment. Do not over-reach. Always maintain secure footing and balance.
- Do not use the equipment if tired or under the influence of drugs, alcohol, or medication.
- This equipment is not intended for use by persons with reduced physical, sensory, or mental capabilities.

General Fuel Safety

- Petrol/fuel/gasoline is extremely flammable – keep clear of naked flames or other ignition sources.
- Do not spill fuel. If you spill fuel, wipe it off the equipment immediately – if fuel gets on your clothing, change clothing.
- Do NOT smoke near fuel or when refuelling.
- Always shut off the engine before refuelling.
- Do NOT refuel a hot engine.
- Open the fuel cap carefully to allow any pressure build-up in the tank to release slowly.
- Always refuel in well-ventilated areas.
- Always check for fuel leakage. If fuel leakage is found, do not start, or run the engine until all leaks are fixed.

General Carbon-Monoxide Safety

- Using a combustion engine indoors **CAN KILL IN MINUTES**. Engine exhaust contains carbon-monoxide – a poison you cannot smell or see.
- Use combustion engines **OUTSIDE** only, and far away from windows, doors, and vents.

General Equipment Use and Care

- Keep packaging away from children and pets, potential risk of suffocation or choking.
- The equipment is designed for domestic use only.
- Handle the equipment safely and carefully.
- Before use, inspect the equipment for misalignment or binding of moving parts, loose components, damage, or any other condition that may affect its operation. If damaged, have the equipment repaired by an authorised service centre or technician before use.
- Prevent unintentional starting of the equipment - ensure equipment and power switches are in the OFF position before connecting or moving equipment. Do not carry equipment with hands or fingers touching any controls. Remove any tools or other items that are not a part of the equipment from it before starting or switching on.
- Do not force the equipment. Use the correct equipment for your application. Equipment will perform better and be safer when used within its design and usage parameters.
- Use the equipment and accessories etc. in accordance with these instructions, considering working conditions and the work to be performed. Using the equipment for operations different from those intended could result in hazardous situations.
- Always keep equipment components (engines, hoses, handles, controls, frames, housings, guards etc) and accessories (cutting tools, nozzles, bits etc) properly maintained. Keep the equipment clean and, where applicable, properly lubricated.
- Store the equipment out of reach of children or untrained persons. To avoid burns or fire hazards, let the equipment cool completely before transporting or storing. Never place or store the equipment near flammable materials, combustible gases, or liquids etc.
- The equipment is not weather-proof, and should not be stored in direct sunlight, at high ambient temperatures or locations that are damp or humid.
- Do not clean equipment with solvents, flammable liquids, or harsh abrasives.
- For specific equipment safety use and care, see Equipment Safety.

General Electrical Safety

- Inspect electrical equipment, extension cords, power bars, and electrical fittings for damage or wear before each use. Repair or replace damaged equipment immediately.
- Ensure all power sources conform to equipment voltage requirements and are disconnected before connecting or disconnecting equipment.
- When wiring electrically powered equipment, follow all electrical and safety codes.
- Always use a Residual Current Device (RCD) (GFCI) / Earth Leakage Circuit Breaker / Safety Switch when operating this item (electrical items only).
- High voltage / high current power lines may be present. Use extreme caution to avoid contact or interference with power lines. Electrical shock can be fatal.

General Electrical Safety

- Electrically grounded equipment must have an approved cord and plug and be connected to a grounded electrical outlet.
- Do NOT bypass the ON/OFF switch and operate equipment by connecting and disconnecting the electrical cord.
- Do NOT use equipment that has exposed wiring, damaged switches, covers or guards.
- Do NOT use electrical equipment in wet conditions or in damp locations.
- Do NOT use electrical cords to lift, move or carry equipment.
- Do NOT coil or knot electrical cords, and ensure electrical cords are not trip hazards.

General Service Information

- The equipment must be serviced or repaired at authorised service centres by qualified personnel only.
- Replacement parts must be original equipment manufacturer (OEM) to ensure equipment safety is maintained.
- Do NOT attempt any maintenance or repair work not described in this manual.
- After use, the equipment and components may still be hot – allow the equipment to cool and disconnect spark plugs and/or electrical power sources and/or batteries from it before adjusting, changing accessories, or performing repair or maintenance.
- Do NOT adjust while the equipment is running.
- Perform service-related activities in suitable conditions, such as a workshop.
- Replace worn, damaged or missing warning/safety labels immediately.

Child Choking Hazard!



• WARNING: CHOKING HAZARD - CHILDREN UNDER 8 YRS. CAN CHOKE OR SUFFOCATE ON SMALL PARTS. ADULT SUPERVISION REQUIRED.

- Carefully inspect anything a baby or child could gain access to, including this product & packaging.
- Dangers include anything of a size that could become stuck or lodged in a baby or child's airway.
- Dangers include things like raw, hard fruit and vegetable pieces, large pieces of meat, bones or sausage skins, popcorn, nuts, hard lollies and corn chips, small magnets and batteries, coins, beads, marbles and small uninflated balloons, broken toys and smaller toys, buttons, keys, and coins. But there are also many more.
- Pay particular attention to accessories, nuts, bolts, screws, washers, caps, covers, loose parts, parts that could be removed or break off, pieces of packaging, staples, tape etc.
- In the case of any doubt, secure the item of concern in an appropriate manner, or completely remove the possibility of access by a baby or child.

Safety Information





















READ AND UNDERSTAND ALL WARNINGS AND OPERATING INSTRUCTIONS BEFORE USING THIS PRODUCT.

Improper operation or maintenance may result in serious injury, property damage, or death. When using tools, always follow basic safety precautions to reduce the risk of personal injury.

- BEWARE of overhead power lines. Contact with the extended wand may cause electrocution, serious injury, or death.
- DO NOT use on or near electrical wiring of any kind.
- KEEP at least 3 metres away from power lines.
- DO NOT touch or aim the spray at electrical wiring.
- DO NOT operate from ladders or elevating devices.
- This appliance is NOT INTENDED for use by persons with reduced physical, sensory, or mental capabilities.
- The appliance MUST NOT be operated by children.
- Children MUST be supervised to ensure they do not play with the appliance.
- ALWAYS shut down the pressure washer or water supply and fully depressurise the system before removing or cleaning accessories.
- WEAR safety glasses when operating the unit.
- NEVER point the spray at people or animals.
- NEVER place any part of the body in the water stream.
- SERIOUS INJURY may result from high-pressure discharge.
- To prevent accidental discharge, ALWAYS engage the trigger lock when spraying is complete.
- The harness is NOT designed to provide back support.
- ENSURE all connections are secure.
- Hold the spray gun firmly when starting the pressure washer.
- When operating, ALWAYS stand on a stable, permanent surface.
- DO NOT stand on ladders, chairs, or unstable platforms.
- DO NOT fully extend the telescopic wand.
- A minimum of 150 mm must remain inside the lower section of the wand to maintain stability.

Safety Symbols

The product may have safety warning labels attached to it, explained below. Understand the symbols on your product and their meanings. If any stickers become unreadable, unattached etc., replace them.

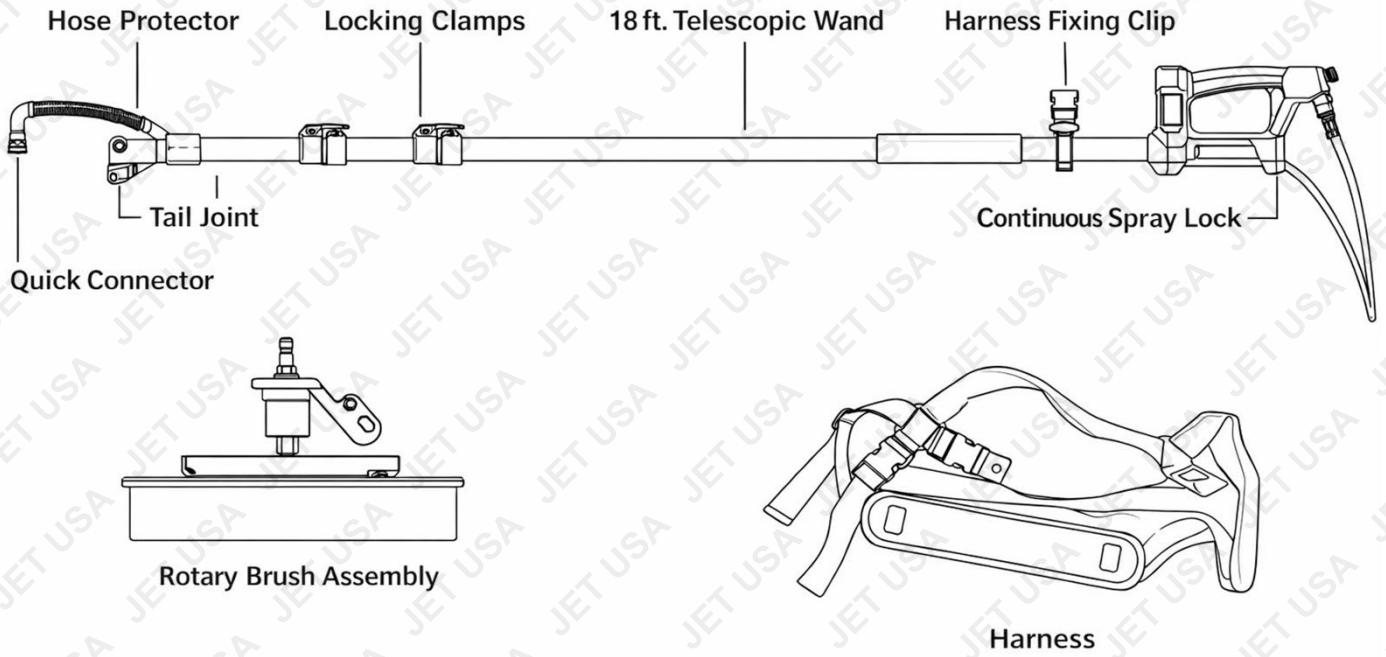
 <p>Flammable Material Hazard Flammable liquids, gases, or substances etc may present. Avoid ignition sources and open flames. Danger of fire.</p>	 <p>Read User Manual Read and fully understand product safety warnings, operation, procedures etc before using the product.</p>	 <p>Use Hand Protection Wear appropriate hand protection and take due care as the product or use of the product may present hand hazards.</p>	 <p>Carbon-Monoxide Hazard Do not use the product in confined areas or without adequate ventilation. Carbon-monoxide poisoning can be fatal.</p>
 <p>Electrocution / Electrical Shock Hazard High voltage or high current electricity may be present or required by the product. Take due care when handling electrical products, cables, plugs and leads. Electrical shock can be fatal.</p>	 <p>Toxic Fumes / Dust Hazard Using the product or by-products from use may produce fumes, smoke or particles that could be harmful if inhaled. Wear appropriate breathing protection and have adequate ventilation.</p>	 <p>Explosive Material Hazard Combustible liquids, gases, or substances etc may be present. Avoid ignition sources and open flames. Danger of explosion.</p>	 <p>Cutting / Amputation Hazard The product may have blades, edges or mechanical devices that can cause severe cut injury to fingers, limbs etc. Take due care when handling and using the product.</p>
 <p>Crush Hazard The product may have blades, edges or mechanical devices that can cause severe crush injury to fingers, limbs etc. Take due care when handling and using the product.</p>	 <p>Single Operator Only The product must be operated by a single person only. More than one person operating the product may introduce additional hazards.</p>	 <p>Use Face Protection Wear appropriate full-face protection and take due care as the product or use of the product may present face and eye hazards.</p>	 <p>Use Foot Protection Wear appropriate foot protection and take due care as the product or use of the product may present foot hazards.</p>
 <p>Use Eye / Ear / Head Protection Wear appropriate eye and / or ear and / or head protection and take due care as the product or use of the product may present eye, hearing, and head hazards.</p>	 <p>Running Hazard Do not run on or near the product as doing so may present a fall hazard.</p>	 <p>Diving Hazard Do not dive into the product as doing so may present a neck / head injury hazard.</p>	 <p>Adult Supervision Required Always supervise children and other users of a product to prevent drowning or injury.</p>
 <p>Skin Penetration / Puncture Hazard The product may produce pressure, emit liquids or objects that can cause severe injury to fingers, limbs, blood etc. Take due care when handling and using the product.</p>	 <p>Hot Surface Hazard Be aware that the product may produce high temperatures and hot surfaces that can cause burn injuries.</p>	 <p>Flying Debris Hazard Be aware that the product or use of the product may present hazards produced by flying debris. Wear appropriate clothing and protective devices.</p>	 <p>Moving Parts Hazard Be aware that the product contains or uses mechanical devices that move or rotate. Always wait for moving parts to stop fully before handling the product, adjusting, maintenance etc.</p>

 <p>Carbon-Monoxide Hazard Do not use the product in confined areas or without adequate ventilation. Carbon-monoxide poisoning can be fatal.</p>	 <p>Pull Hazard Be aware that the product contains or uses mechanical devices that can pull in objects and can cause severe injury to fingers, limbs etc. Take due care when handling and using the product.</p>	 <p>Slope / Fall Injury Hazard Be aware that using the product on sloping surfaces or in slippery conditions may present additional dangers from falls and contact with blades, moving parts, hot surfaces etc.</p>	 <p>"Slam Dunk" Warning Do NOT attempt "slam dunk" manoeuvres as this may result in severe injury due to falling, product breakage or collapse etc.</p>
 <p>Electrocution / Electrical Shock Hazard - Outdoor High voltage or high current electricity may be present or required by the product. Do NOT use in rain, damp, or wet conditions. Electrical shock can be fatal.</p>	 <p>Electrocution / Electrical Shock Hazard - Disconnect High voltage or high current electricity may be present or required by the product. Always disconnect the product from the electrical supply before handling the product, adjusting, maintenance etc.</p>	 <p>Power Line Electrocution Hazard High voltage / high current power lines may be present. Use extreme caution to avoid contact or interference with power lines. Electrical shock can be fatal.</p>	 <p>"Kick-Back" Hazard High level of "kick-back" hazard that can cause the machine to suddenly rotate towards operator. Kick-back injury can be fatal.</p>
 <p>Winch Operator Position Hazard Do NOT stand between winch and load. Do NOT use winch to move people.</p>	 <p>Winch Lift Hazard Do NOT LIFT load vertically. Use machine to PULL only.</p>	 <p>Cable Hazard Ensure that load bearing cable is not kinked or knotted.</p>	 <p>Winch Cable Hazard Ensure that there is a minimum number of cable coils on winching mechanism.</p>
 <p>Winch Hook Hazard Carry hook to load – do NOT throw or run.</p>	 <p>Flash / Blinding Hazard Wear appropriate eye protection for welding. Direct exposure to weld arcs may cause permanent eye injury.</p>	 <p>Laser Hazard Laser may be in use – do NOT look directly at laser or allow others to.</p>	 <p>Choking Hazard Children under 8 yrs. Can choke or suffocate on small parts. Adult supervision required.</p>

Table of Contents

Safety	2
Safety Symbols	4
Parts Identification	7
Assembling the Telescopic Wand	8
Brush Installation	8
Connect the Hose to the Brush and Gun	9
Fit the Hose Protector	9
Water Inlet Hose Connection	10
Adjust Wand Length	11
Harness Wearing Instructions (If Applicable)	12
Using the Telescopic Wand	14
Start Spraying	14
Stop Spraying	14
Cleaning Tips	15
Care and Maintenance	16
Troubleshooting	17
Specifications	18

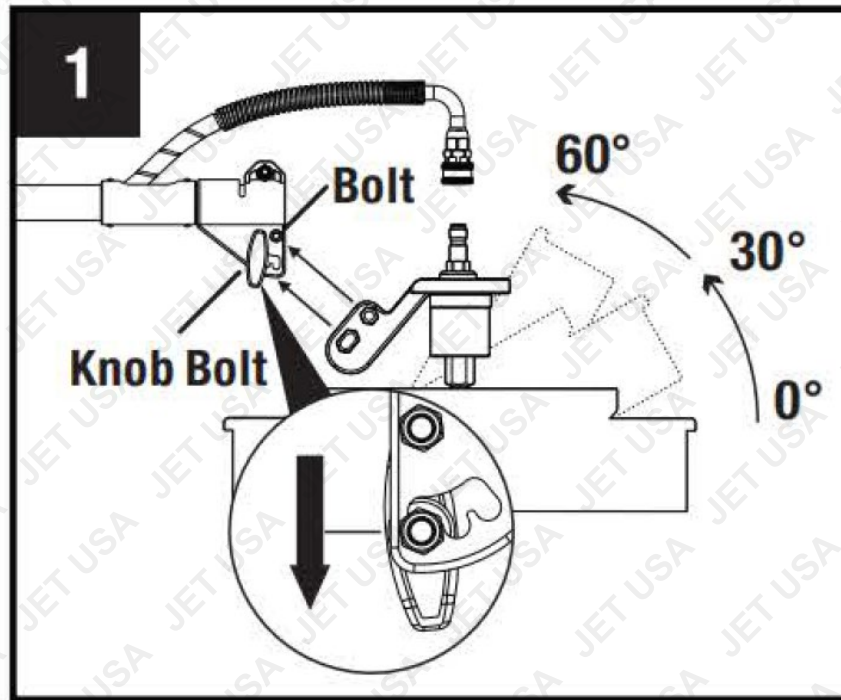
Parts Identification



Assembling the Telescopic Wand

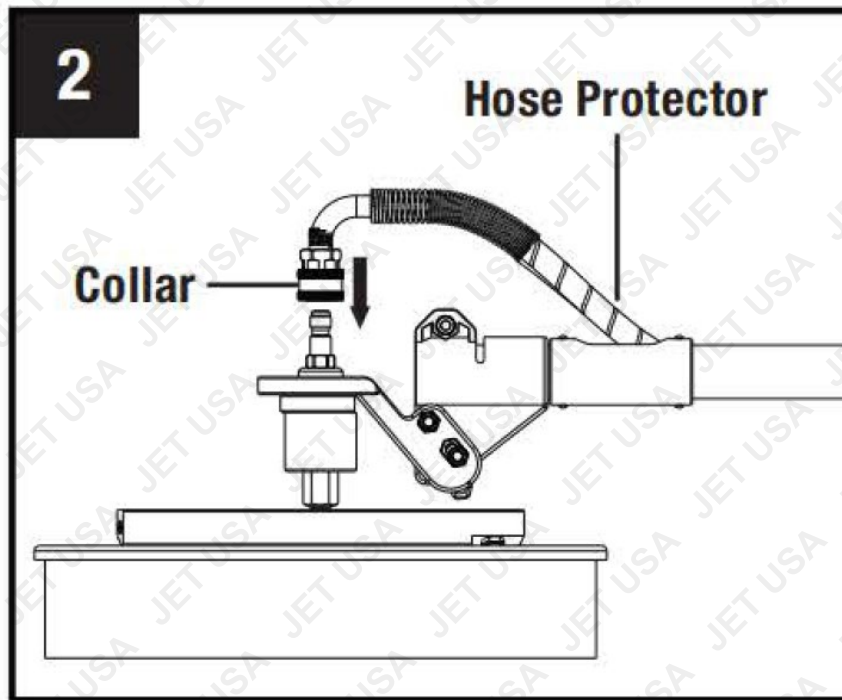
CAUTION! Before beginning assembly, installation, or operation of this product, ensure all parts are present. Compare the components with the package contents list. If any part is missing or damaged, DO NOT attempt to assemble, install, or operate the product.

Brush Installation



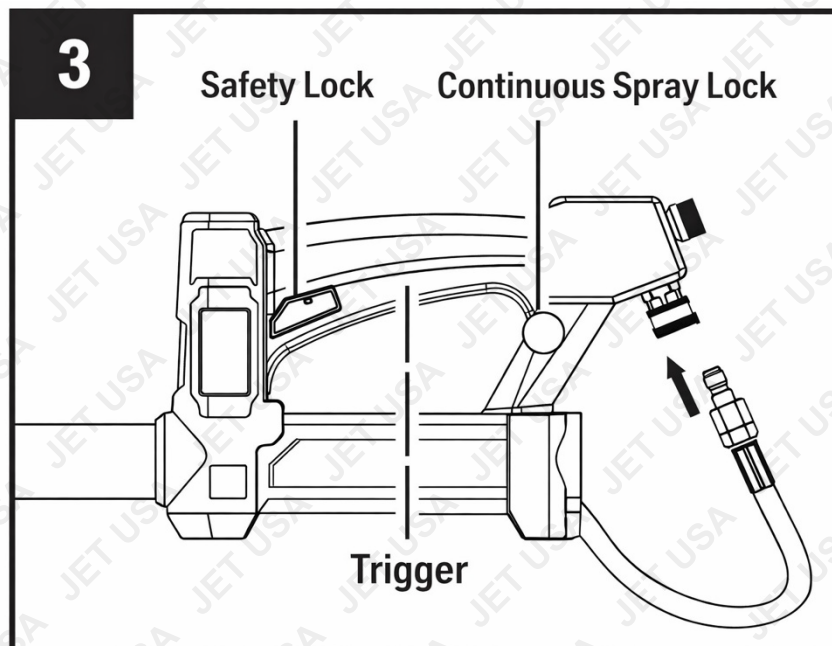
1. Remove the bolt and knob bolt from the tail connector. Insert the brush connector, align the top hole, reinstall the bolt, and tighten securely.
2. Adjust the brush angle and align the hole with the groove. Insert the knob bolt through the hole, install the nut, slide the knob bolt to the bottom of the groove, and tighten to lock.
3. To adjust the brush angle, loosen the knob bolt (do not remove). Slide the knob bolt upward, adjust the brush to the desired angle, then tighten to lock.

Connect the Hose to the Brush and Gun



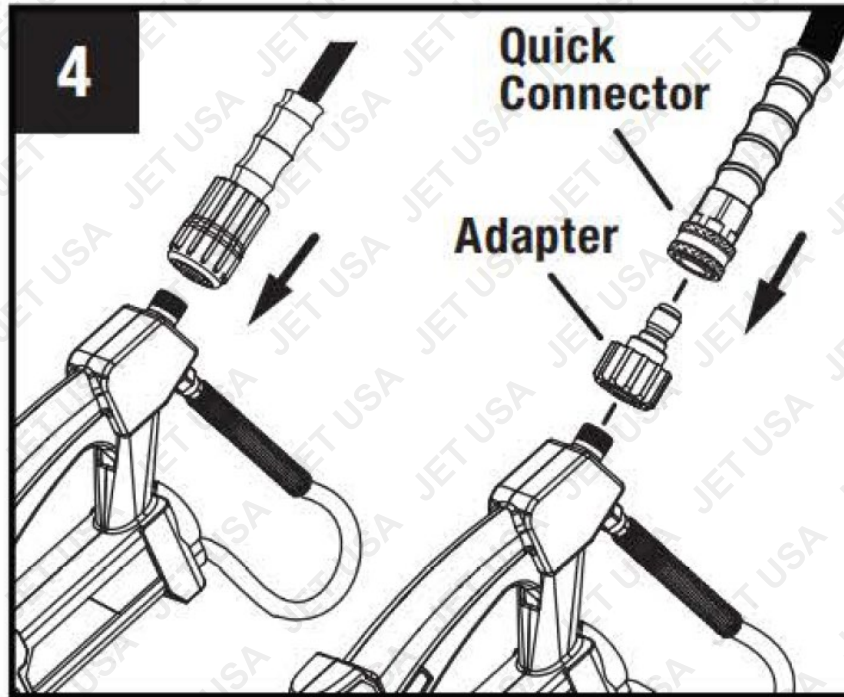
1. Pull back the socket collar on the quick connector at the hose end. Push it onto the quick plug at the top of the brush assembly, then release the collar.
2. Connect the other end of the hose to the gun outlet in the same manner.

Fit the Hose Protector



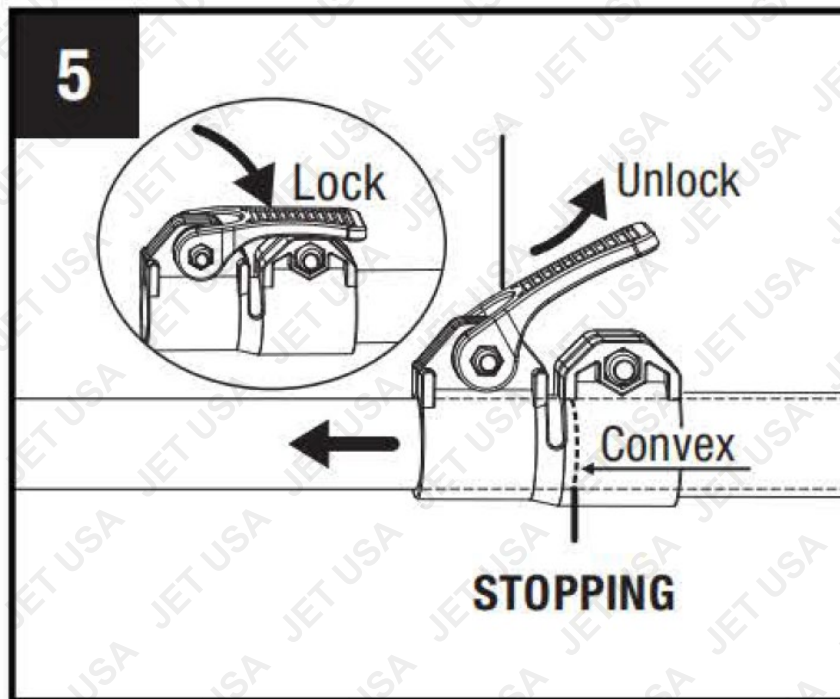
The hose is supplied with a hose protector to prevent contact with sharp edges at the wand cut-out. Ensure the hose protector is securely fitted.

Water Inlet Hose Connection



1. Insert the hose fitting pin into the gun inlet port.
Turn the swivel nut clockwise until firmly tightened onto the gun fitting.
2. Use the quick-connect adaptor if connecting a hose fitted with a quick-connect coupler.

Adjust Wand Length



Extending the Wand

1. Pull up the lock levers and extend the wand to the desired length.
2. Push the lock levers down to secure the wand in place.

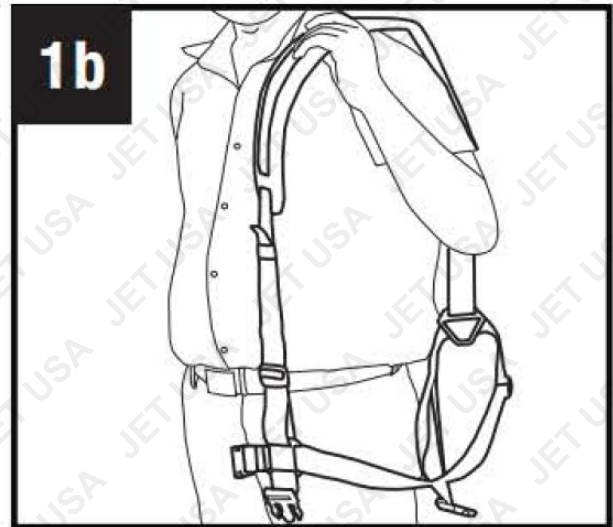
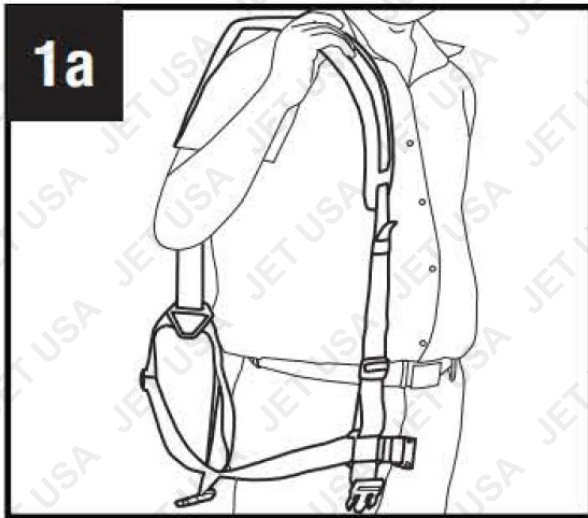
NOTE: Each section of the wand cannot be fully extended. A preset stop ensures approximately 100 mm of each section remains inside the next section to provide stability during operation.

Retracting the Wand

1. Lift the lock levers and slide the extension sections back into the wand to the desired length.
2. Push the lock levers down to lock the wand.

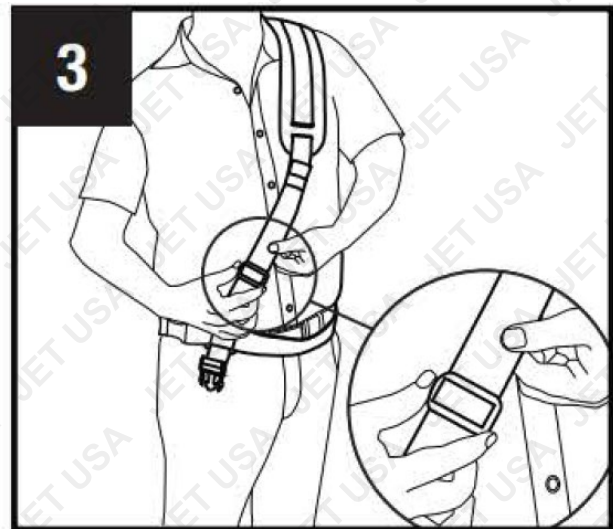
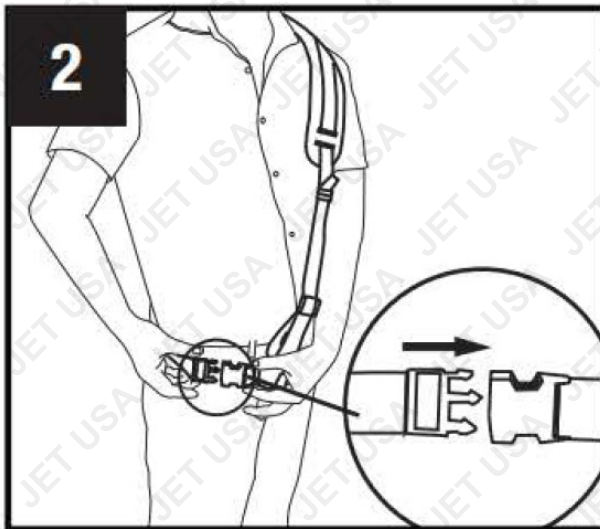
NOTE: Before using the telescopic wand on your work area, move to a clear space and extend the wand to approximately 50% of its maximum length. Squeeze the trigger briefly to release a stream of water and familiarise yourself with the unit's handling and performance.

Harness Wearing Instructions (If Applicable)



1. **Place the padded shoulder strap over your left shoulder.**
 - a. Use this configuration for left-handed operators.

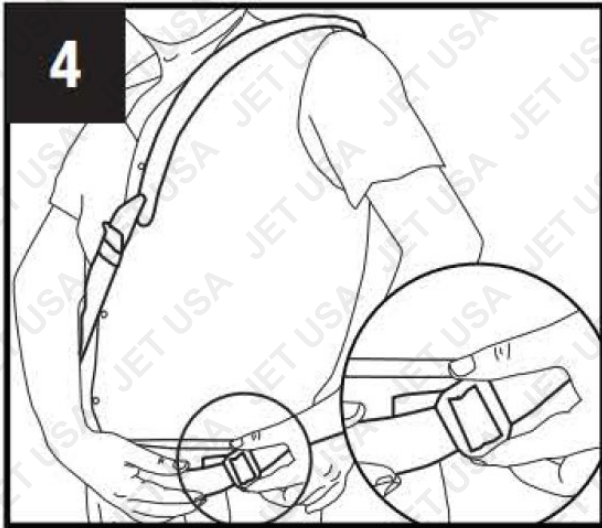
- b. Use this configuration for right-handed operators.



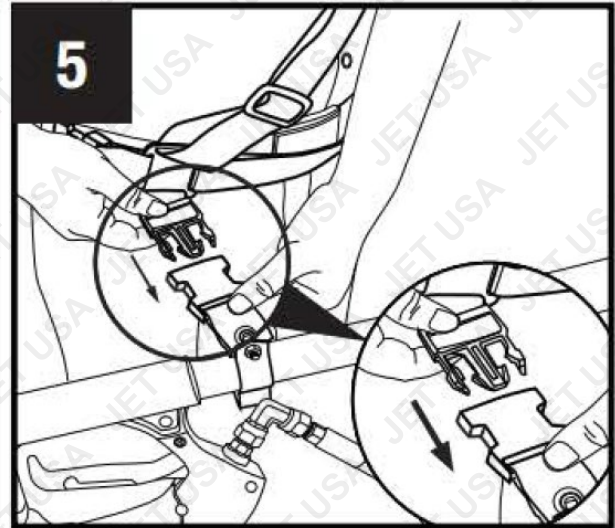
2. **Wrap the waist belt around your waist and fasten the buckle.**
The buckle should sit on the right-hand side of your torso when looking down.

3. **Adjust the shoulder strap to position the waist belt at the desired height.**

NOTE: It is recommended that the harness sit between the waist and chest. This position provides improved control and stability when using the wand.



4. Tighten the waist belt securely.



5. Attach the wand adaptor to the telescopic wand and connect the buckle to the support belt.

Using the Telescopic Wand

WARNING! To reduce the risk of electrocution, serious injury, or property damage, always keep the spray stream directed away from electrical devices. Ensure all accessories are correctly connected before starting any cleaning task.

- For cold water use only.
- For outdoor use only.
- Ensure compatibility and correct fit before use.
- Wear safety glasses or goggles.
- DO NOT point the spray at people, animals, or electrical devices.
- Maintain firm footing at all times.
- Due to torque from the rotating brush, hold the telescopic wand securely, especially when fully or near fully extended.
- Switch off the pressure washer before changing or adjusting accessories.

Retain these instructions for future reference and provide them to other users if required.

Start Spraying

1. Start the pressure washer.
2. Raise the wand and keep the nozzle at least 3 metres away from the surface to be cleaned.
Stay well clear of overhead power lines.
3. Squeeze the trigger to begin spraying. Maintain stable footing and gradually move the wand towards the surface being cleaned.

Stop Spraying

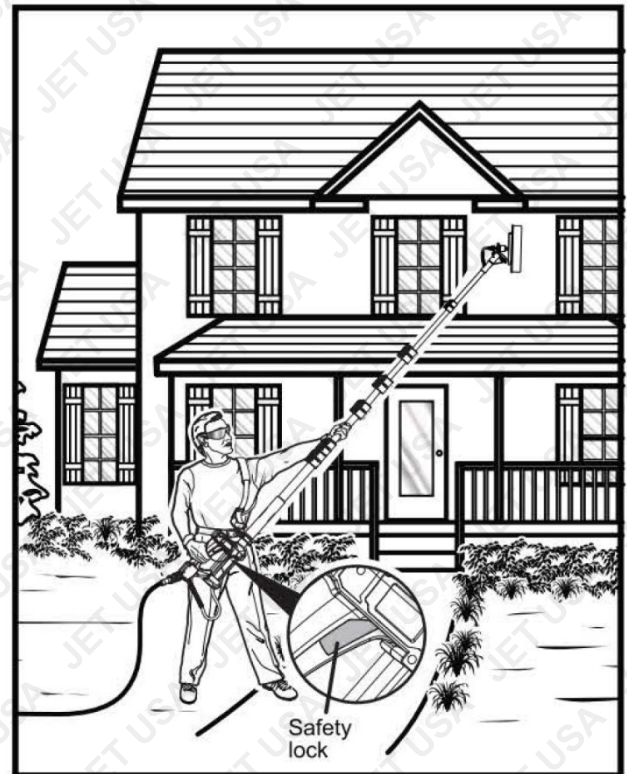
Before releasing the trigger, move the nozzle at least 3 metres away from the surface being cleaned and ensure you are standing securely.

The wand may recoil when the trigger is released or if pressure is lost.

CAUTION: Take extra care when working on or near fragile surfaces, as the force of the spray may cause damage or breakage, including windows.

Cleaning Tips

- Lightly moisten the first row of surfaces using a water hose. This helps remove stubborn dirt and prevents brushing on a dry surface.
- When cleaning from a roof ridge, clean from top to bottom: Start with the telescopic wand retracted and extend as required.
- When cleaning from a lift platform or scaffold, clean from top to bottom: Start with the telescopic wand extended and retract as required.
- Clean large areas in sections for better control.
- The telescopic wand may kick back when the trigger is released or pressure is lost.
- Hold the wand firmly and ensure stable footing before releasing the trigger.
- The brush rotates at high speed. Control the rotation speed by applying light pressure to the brush.
- To adjust the wand length, open the lock lever, slide the wand to the desired length, then close the lock lever securely.
- NEVER fully extend the wand.



NOTE: Before adjusting the wand length, disengage the continuous spray lock, release the trigger, and engage the safety lock.

- When placing the wand on the ground, lower it gently to avoid damaging components or accessories.

Care and Maintenance

- To extend the service life of the accessories, flush them with clean, fresh water after use.
- Switch off the pressure washer and shut off the water supply.
- Depressurise the system by squeezing the trigger until all remaining water has drained from the unit. The accessories can then be safely disconnected and stored in a cool, dry, and shaded location.
- If any debris is present, clean the accessories thoroughly before storage.

Troubleshooting

Problem	Probable Cause	Solution
Connections leak	<ol style="list-style-type: none"> Loose connections. Worn sealant. Worn O-ring. 	<ol style="list-style-type: none"> Retighten all fittings. Reapply thread seal tape. Replace the O-ring.
Unit will not spray	<ol style="list-style-type: none"> Pressure washer or water supply is turned off. Unit is blocked. 	<ol style="list-style-type: none"> Ensure the pressure washer and water supply are switched on and operating correctly. Reverse flush the unit with clean water to remove blockages.
Wand section will not stay in place	<ol style="list-style-type: none"> Lock lever is loose. Lock lever is damaged. 	<ol style="list-style-type: none"> Tighten the hex screw on the lock lever. Replace the lock lever.
Rotating brush will not rotate	<ol style="list-style-type: none"> Seal drag during initial use. Snap ring has become dislodged. Seal malfunction. Bearing failure. Nozzle is blocked. 	<ol style="list-style-type: none"> Allow a short run-in period. DO NOT USE. Contact the manufacturer. DO NOT USE. Contact the manufacturer. DO NOT USE. Contact the manufacturer. Clean or replace the nozzle.

Specifications

Size	210-550 cm
Working Pressure	1000-3200psi
Flow Rate	5.6 - 10.62 L/min
Max Water Temp	60°C
Compatibility	M22 (14 mm)
Material	Aluminium, Polypropylene



Some experts believe that the incorrect or prolonged use of almost any product may cause serious injury or death. To help reduce your risk of serious injury or death, refer to the information below. For more information, see www.datastreamserver.com/safety

- Consult all documentation, packaging, and product labelling before use. Note that some products feature documentation available online. It is recommended to print and retain the documentation.
- Before each use, check the product for loose/broken/damaged/missing parts, wear, or leaks (if applicable). Never use a product with loose/broken/damaged/missing parts, wear, or leaks.
- Products must be inspected and serviced (if applicable) by a qualified technician every 6 months. This is based on average residential use by persons of average size and strength, and on a property of average metropolitan size. Use beyond these recommendations may require more frequent inspections/servicing.
- Ensure that all users of the product have completed a suitable industry recognised training course before being allowed access to the product.
- The product has been supplied by a general merchandise retailer that may not be familiar with your specific application or description of application. Be sure to attain third-party approval from a qualified specialist for your application before use, regardless of any assurances from the retailer or its representatives.
- This product is not intended for use where fail-safe operation is required. As with any product (for example, automobile, computer, toaster), there is the possibility of technical issues that may require the repair or replacement of parts, or the product itself. If the possibility of such failure and the associated time it may take to rectify could in any way inconvenience the user, business, or employee, or financially affect the user, business, or employee, then the product is not suitable for your requirements. This product is not intended for use where incorrect operation or a failure of any kind, including but not limited to, a condition requiring product return, replacement, parts replacement, or service by a technician may cause financial loss, loss of employee time or an inconvenience requiring compensation.
- If this product has been purchased in error when considering the information presented here, contact the retailer directly for details of their returns policy, if required.

