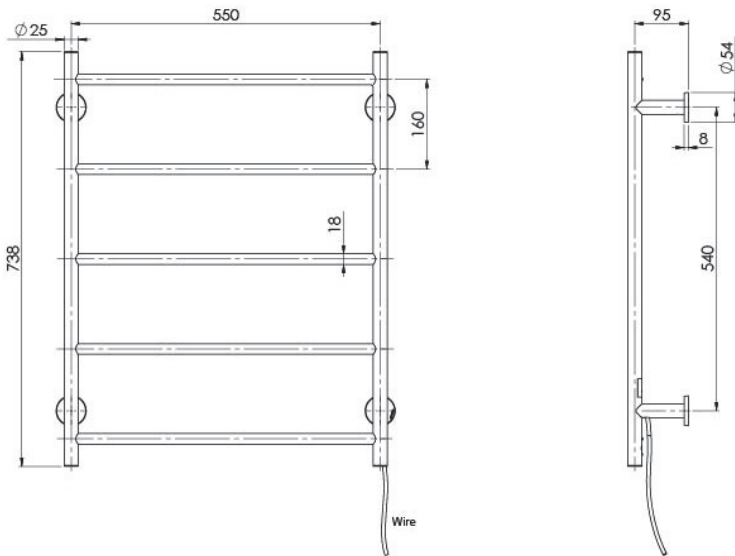


DESIGNER RAILS & LADDERS

RADII HEATED TOWEL LADDER 550 X 740MM ROUND PLATE



SPECIFICATIONS



AVAILABLE IN



RA8750 CHR
Chrome



RA8750 BN
Brushed Nickel



RA8750-31
Brushed Carbon



RA8750 MB
Matte Black



RA8750-12
Brushed Gold

INFORMATION

MAINTENANCE AND CARE:

- All surfaces should be cleaned with mild liquid detergent or soap and water.
- Do not use cream cleaners or citrus based cleaning products, as they are abrasive.
- Use of unsuitable cleaning agents may damage the surface.
- Any damage caused in this way will not be covered by warranty.

Electricity Input: 240V, 50Hz | Power Rating: 35W | IP Rating: IPX4 | Connection position:
Bottom right | Connection type: Plug-in or Hardwire

Please visit <https://www.phoenixtapware.com.au/warranty> to view the full warranty