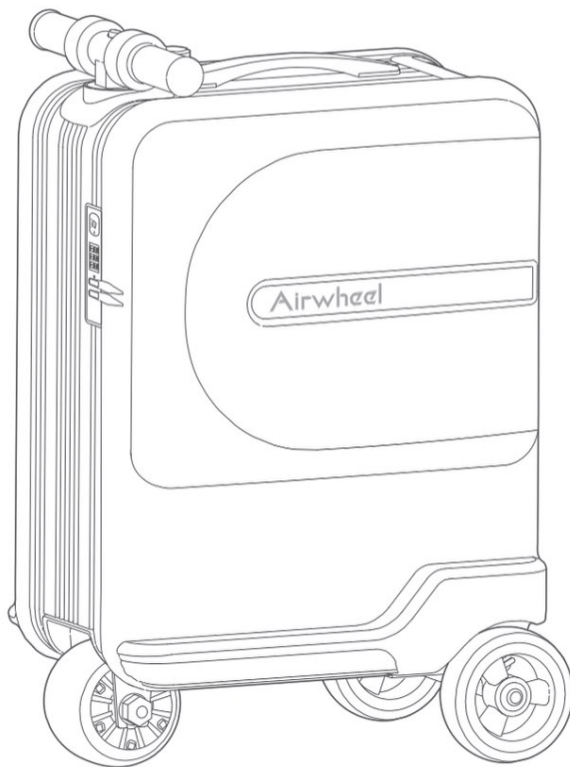


# Airwheel SE3MiniT

## USER MANUAL

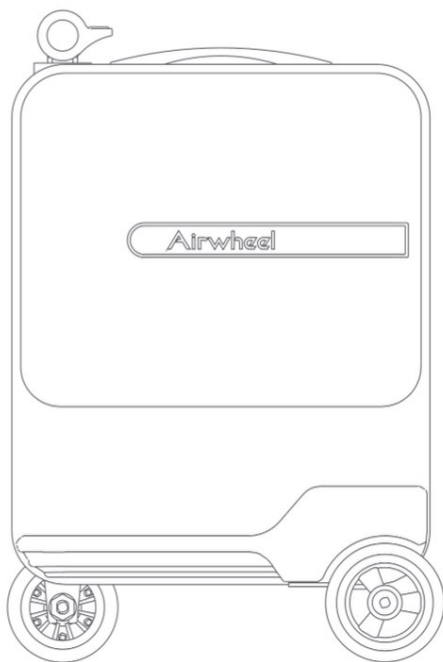


## Products and accessories

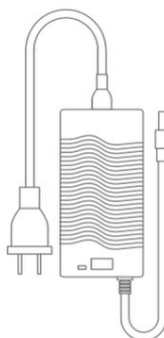
Thank you for purchasing the Airwheel SE3MiniT Smart Rideable Luggage.

Please read these instructions carefully before using your Airwheel SE3MiniT and ensure that all guidelines, notes, and warnings in this manual are followed. Failure to do so may result in damage to the product, which will not be covered under warranty.

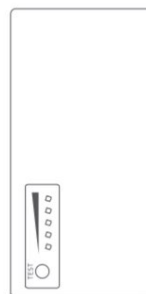
Keep this manual and your warranty card in a safe place for future reference.



SE3MiniT



Charger



Power bank



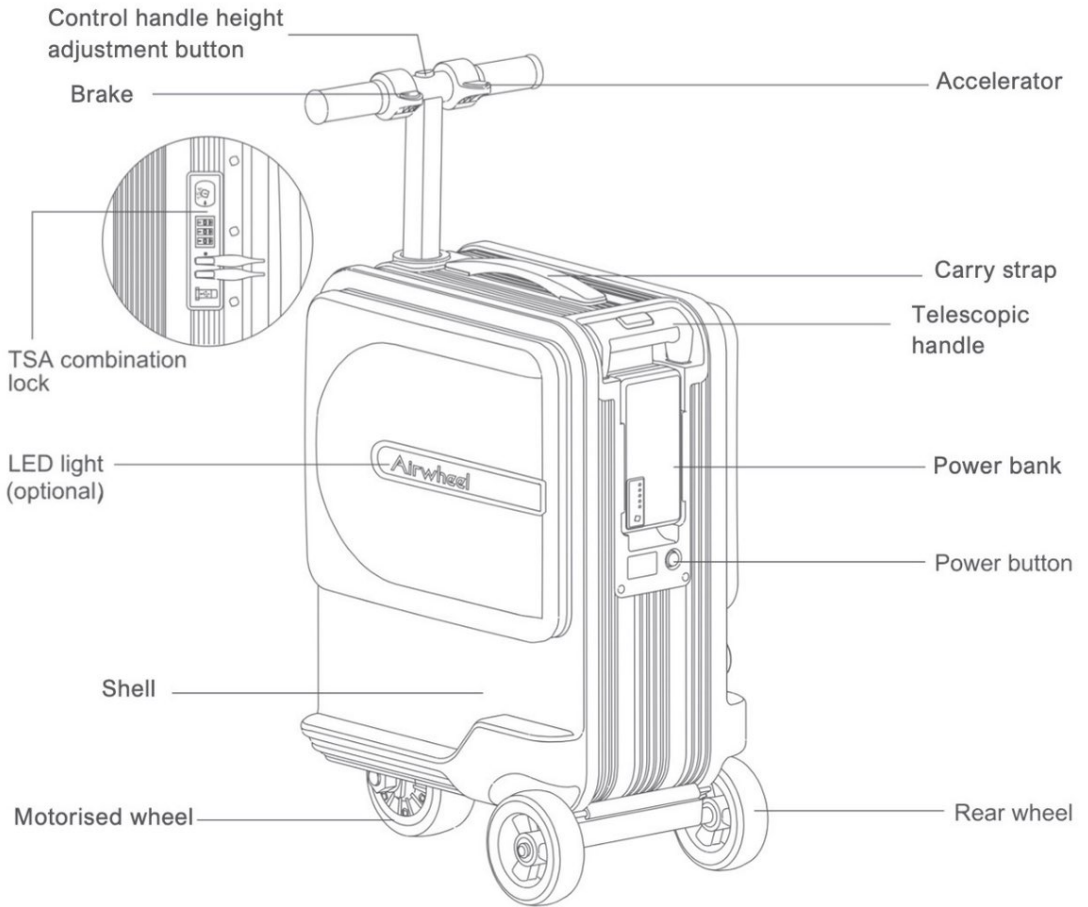
Instruction manual

### Packing List

SE3MiniT	1	Charger	1
Instruction manual	1	Power bank	1

**WARNING:** This is not a toy.

# SE3MiniT Diagram



# Specifications

## Main specifications

Size	385X250X575mm	Vehicle weight	~7.2kg
Volume	26L	Maximum load	110kg
Lock type	TSA combination lock	Maximum climbing angles	~ 4 °
Rear wheel	4inchX2	Applicable temperature	-10°C ~40°C
Front wheel	4inch	Maximum speed	8km/h
Material	Shell ABS+PC Aluminum alloy frame	USB output voltage	5V

## Battery specifications

Battery capacity	73.26Wh	Charging time	2h
Battery type	lithium	Battery voltage	37V
Removable	Yes	Charging voltage	AC100-240V 50-60Hz

## Motor specifications

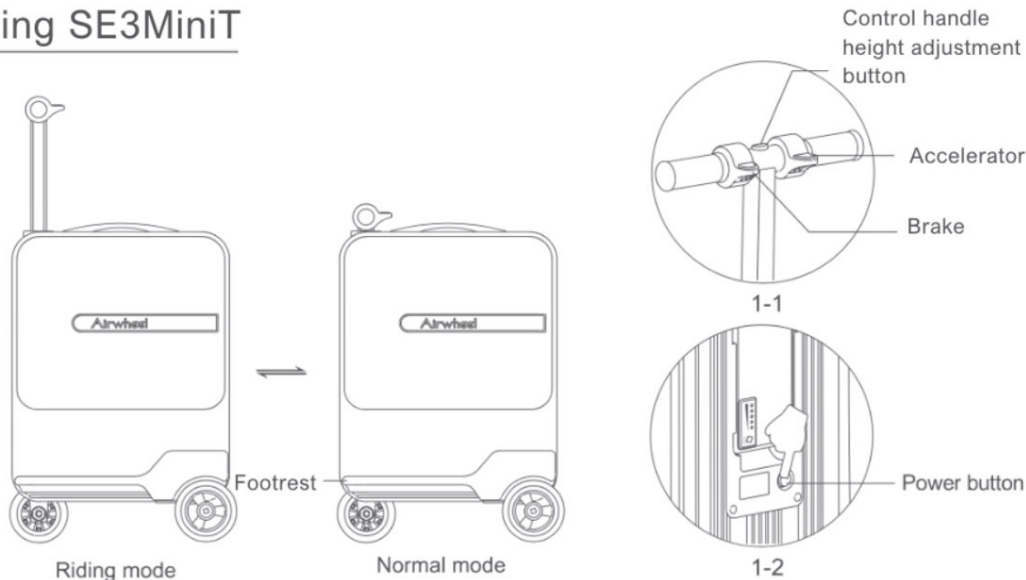
Motor size	4inch	Motor number	1
Motor weight	~1.4kg	Motor power	100W



- To maintain battery health, fully charge the battery before turning off the luggage for storage. If the luggage has not been used for over two months, recharge the battery before storing it again.
- Dispose of batteries in an environmentally responsible manner. Used batteries must be recycled through the company, authorised distributors, or government-approved recycling centres.

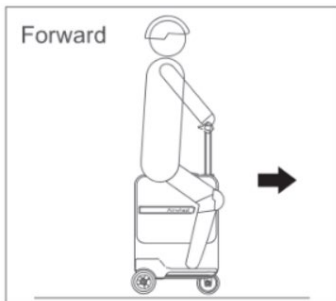
**WARNING:** For the purpose of recharging the battery, only use the charger provided with this product.

# Using SE3MiniT



## SE3MiniT-riding mode

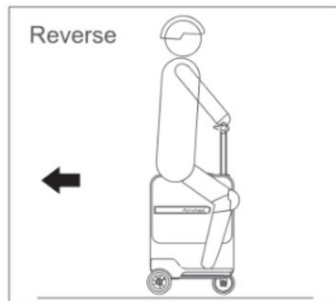
1. Press the control handle height adjustment button and lift the control handle.
2. Turn on the power, sit on the Airwheel, place your feet on the footrests, look straight ahead, and prepare to ride.
3. Press down on the accelerator on the right to move forward. To brake, press down on the brake on the left. To reverse, press the accelerator and brake simultaneously (see Figure 1-1).
4. When you're finished, turn off the power. Press the control handle height adjustment button again and lower the control handle.



Sit, place your feet on the footrests, and push the accelerator to move forward.



To brake, press down brake lever.



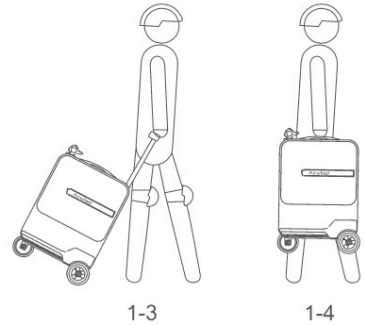
To reverse, press both the accelerator and the brake simultaneously.

## Riding precautions

1. Check that the battery is fully charged and the brakes are functioning properly before riding.
2. Fully charge the battery before using the product for the first time.
3. Do not brake or turn sharply during operation to avoid skidding or rollover.
4. Follow all applicable traffic regulations and site management rules when using the product.
5. Avoid using the product in adverse weather conditions such as rain, snow, or ice.
6. When not in riding mode, turn off the power.

## SE3MiniT- Normal Mode

1. Turn off the power and extend the telescopic handle to pull the luggage.
2. Use the carry strap to lift and carry the luggage.



## Power bank usage

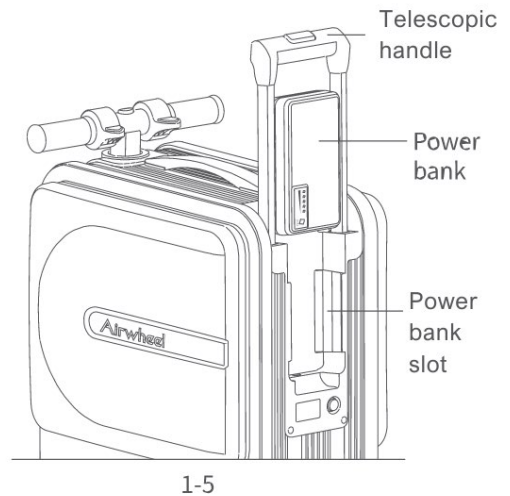
### Power bank installation

Pull up the telescopic handle and insert the power bank into the designated slot.

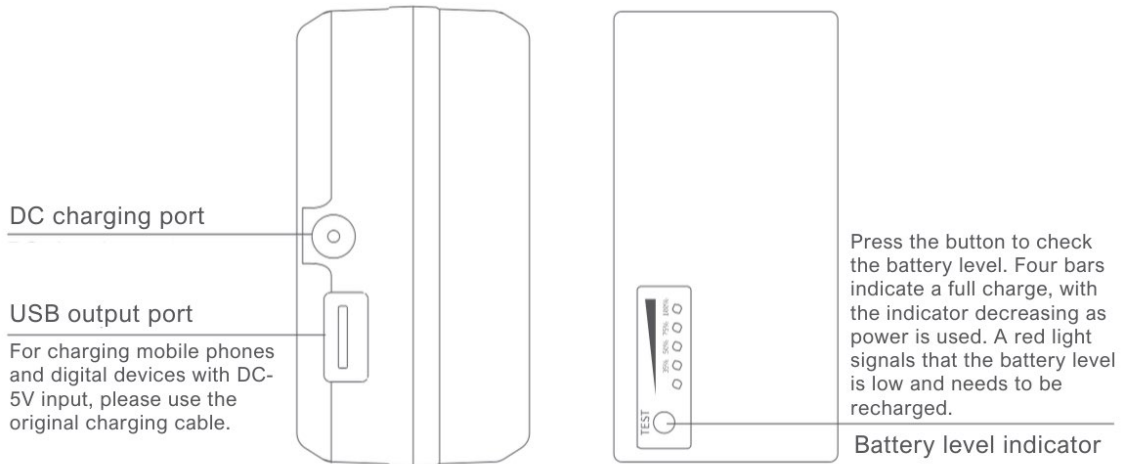
### Power bank removal

Turn off the power, pull up the telescopic handle, and pull the power bank out of the slot.

Note: When installing the power bank, ensure it is inserted in the direction shown in Figure 1-5, with the front facing outward.



# Power bank usage



## Charging Power Bank

To charge the power bank, first remove it from the slot. Use the provided charger, connect it to a mains socket (AC100-240V), and then plug the charger into the power bank's DC charging port. The charger's indicator light will turn red during charging and will switch to green once the power bank is fully charged.

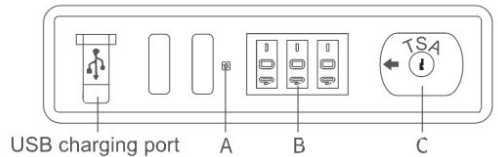
### Power Bank Usage Precautions

1. If the power bank is newly manufactured, you can use it immediately. If it has been stored for more than two months, the battery may have discharged during storage and transport. Recharge the power bank before using it.
2. Only use the charger provided with this product. Using chargers from other brands can cause damage or pose a safety risk.
3. The power bank contains high-voltage circuits and is factory-sealed for safety. Do not attempt to open or disassemble it.
4. Keep the power bank free from liquids or metal particles, which can cause internal damage.
5. Avoid exposing the power bank to open flames, high temperatures, or water. During hot weather, do not charge the power bank in direct sunlight.
6. Do not short-circuit the positive and negative terminals with wires or other conductive materials, as this can cause serious damage and safety hazards.
7. Handle the power bank with care. Prevent drops, collisions, or impacts to avoid damage and accidents.
8. While charging, place the power bank in a secure location out of reach of children.
9. Do not use the power bank unless it has been fully charged.
10. Do not cover the power bank while it is charging, as this can lead to overheating.
11. For long-term storage, fully charge the power bank, turn it off, and recharge it every two months to maintain optimal performance.

# Combination lock instruction

## Change password:

The default password is set to 0-0-0. To set your own password, follow these steps:



1. Set the password to the default: 0-0-0.

2. Press Button A using a pen or similar tool until you hear a "tick" sound.

3. Turn the password dials B to set your desired password, for example: 8-8-8.

4. Push Button C in the direction of the arrow. Once you hear the "tick" sound again and Button A pops up, your new password is set. Please remember your new password.

## Unlocking instructions:

1. First Time Use: Set the dials to 0-0-0 (the default password), then push Button C in the direction of the arrow. The lock will release and the pull tab will pop out.

2. After Setting Your Password: Set the dials to your new password, then push Button C in the direction of the arrow. The lock will release and the pull tab will pop out.

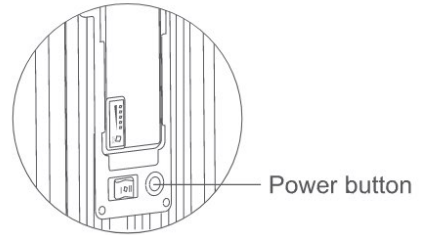
## Power switch indicator

Flash 1: Motor stall

Flash 2: Low battery

Flash 3: Turn the fault

Flash 4: Battery undervoltage



## Maintenance

### Appearance cleaning

1. Clean the product regularly to maintain its appearance.

2. When removing dust, avoid wiping electrical components and connectors with a damp cloth.

### Other maintenance

1. Lubricate the front and rear axles every six months.

2. Regularly inspect exposed electrical connections to ensure they are secure and properly connected.

3. Ensure the brake is functioning properly.

## Safety

Please ensure you read all precautions and operate the SES as instructed. Do not use this product until you have thoroughly read the instructions and fully understand the SES's performance. Additionally, do not lend this product to anyone unfamiliar with its operation.

### Very important

Do not accelerate, decelerate, or make sharp turns abruptly. Always ride at a slow and controlled speed—riding too fast is prohibited. In case of a fall, prioritise your own safety over the product. Keep in mind that normal use and parking may cause wear and tear, which can affect the product's performance. Before riding the SES, be sure to carry out the following checks:

- 1.Ensure all components are securely installed, free from damage, and that the brakes and tyres are in good working condition.
- 2.Be mindful of your surroundings and avoid disturbing others, including cars, pedestrians, pets, and cyclists. Ensure the path is clear of obstacles before riding.

## Important notes

- 1.Do not store cash or valuables in your luggage.
- 2.Always check the safety and reliability of the brakes, case, wheels, and other components before riding to avoid accidents.
- 3.Avoid riding on uneven, muddy, rocky, slippery, waterlogged roads, or stairs to prevent rim deformation and potential danger.
- 4.Do not hang a torch or any object on the ride, as this may cause loss of control.
- 5.This product is designed for one person only.
- 6.Overloading and riding on ramps steeper than 6 degrees is strictly prohibited.
- 7.People under the influence of drugs, alcohol, or with limited mobility or responsiveness are prohibited from riding.
- 8.Riding is prohibited when conditions, either personal or environmental, make it unsafe to do so.
- 9.It is recommended to charge the battery regularly. Frequent use at low levels may reduce the battery's overall lifespan.
- 10.Please note, battery performance can be affected by temperature. In colder conditions, the battery's capacity may drop significantly, while performance will return to normal when temperatures rise above 20°C. In winter or colder climates, reduced mileage after a full charge is normal. The range will recover as temperatures increase.
- 11.Ensure dust is regularly removed from the power plug.
- 12.Ash build-up in humid environments can be a fire hazard.
- 13.Do not damage, bend, or bundle the power cord.
- 14.Do not place heavy objects on the power cord, or expose it to excessive heat.
- 15.Do not insert foreign objects into USB ports, charge/discharge connectors, or other product openings.
- 16.Do not disassemble or tamper with any parts of the luggage yourself.
- 17.Do not lift the luggage by the telescopic handle; lift it using the main handle when crossing steps or obstacles.
- 18.Dragging the luggage over steps or obstacles can cause it to tip over and result in damage.
- 19.When in a moving vehicle, or on uneven or sloped surfaces, place the luggage on stable ground to prevent tipping or damage.
- 20.Avoid storing the luggage in damp, unventilated, or acidic environments. If it gets wet from rain, dry it immediately.
- 21.Do not store the luggage in high-temperature areas or near flammable substances.
- 22.Do not clean the luggage with corrosive solvents such as petroleum concentrate or banana oil.
- 23.Do not rinse the luggage directly with water or use it during rain.
- 24.When closing the luggage, ensure that your body or clothes are not caught in the case or lock.
- 25.Be cautious of any liquid leakage inside the luggage, as this can cause a short circuit.
- 26.The Company is not responsible for accidents caused by the use of non-original charging cables or accessories.
- 27.Unauthorised disassembly or modification of the luggage is strictly prohibited. The Company will not be liable for damages caused by such actions, and it may void your warranty. In case of internal failure, contact our customer support team.

All rights reserved in this manual shall be the property of the company.