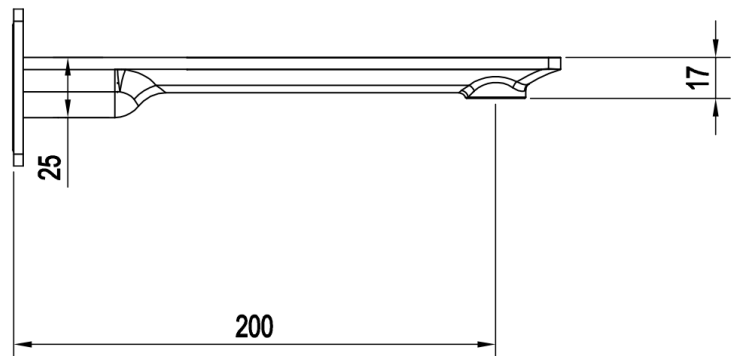
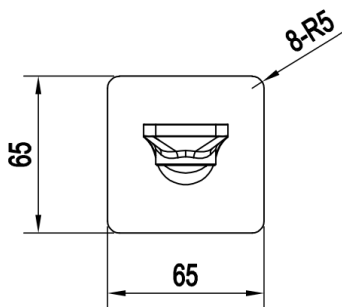
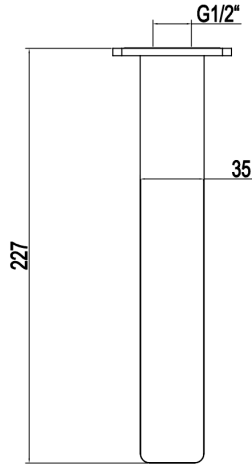


St George

ST-CON-5000-BB

Spout - Concord
Brushed Brass



Specifications

Materials	304 Grade Stainless Steel
Working Pressures	150kPa - 500 Kpa
Operating Temperature	1°C - 65°C
Warranty	Lifetime Warranty on Cartridge* 1 year parts and labour*

