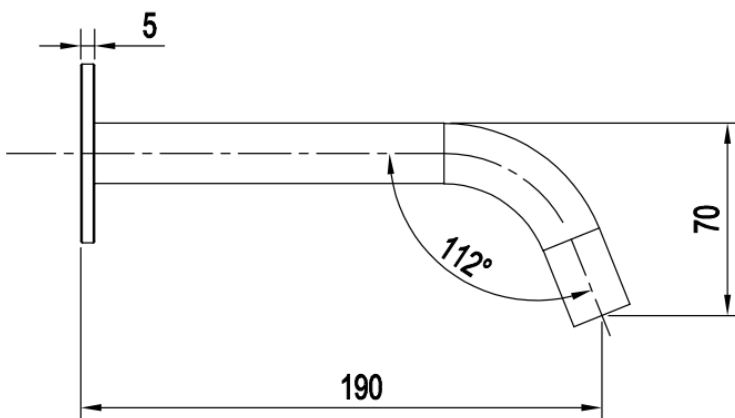
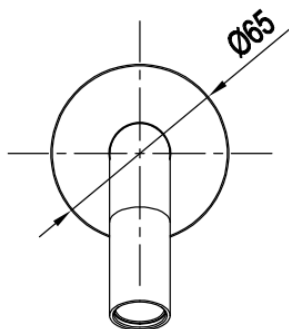
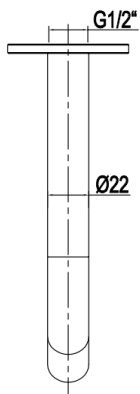


St George

ST-NW5000-CH

Spout - Newport
Chrome



Specifications

Materials	304 Grade Stainless Steel
Working Pressures	150kPa - 500 Kpa
Operating Temperature	1°C - 65°C
Warranty	Lifetime Warranty on Cartridge* 1 year parts and labour*

