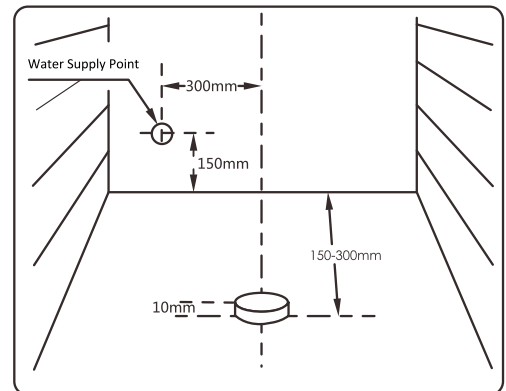
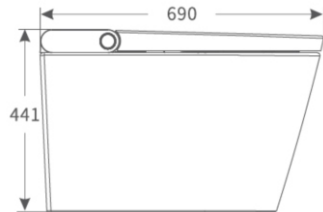
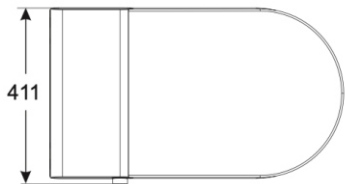


# St George

## ST-ZTT-280 Como Intelligent Toilet



**WaterMark**  
**AS/NZS 3718**  
**WM-022958**



**FINISH:** White

\*Installation shall be in accordance with the AS/NZS 3500 series of standards.

### Specifications

- Size : 690\*414\*441mm
- Working pressure : 200Kpa-500Kpa
- Applicable Voltage : AC 220-240V/50
- Power : 1300W
- S Trap : 180mm - 300mm
- P Trap : 180mm
- WELS: 3.4L AVG Flush (4 Stars)
- Powerpoint required

### Features

- Multifunction Cleansing
- Automatic Flushing
- Adjustable Seat Temperature
- Comfortable Seat Height
- Water temperature adjustable
- Air Dryer
- Premium Remote Controls
- Soft Night Light

\*The Como Intelligent Toilet ST-ZTT-280 complies with WMTS-051 and features an integrated Atmospheric Vacuum Breaker (AVB) that satisfies the high-hazard back-flow prevention criteria of AS/NZ 3500.1 without the use of an RPZ valve.

\*Portable water only. DO NOT USE seawater OR recycled water.

\*Min water requirement 10L/ 15 second and water pressure at least 200 Kpa stable.

**ST GEORGE Care:** For all sanitary ware products include a 15 Year ceramic replacement and 3 Years labour plus parts warranty\* (Terms & Conditions Apply)

**ST GEORGE KITCHEN 1800 272 828 | stgeorgegroup.com.au**