



STUDIO BAGNO

CLEANMAX
ANTI-BACTERIAL
SELF CLEANING GLAZE



Synthesis Eco Wall Hung Toilet

STYLE

Wall Hung Toilet

CODE

SYN003

WEIGHT

21 kg

COLOURS

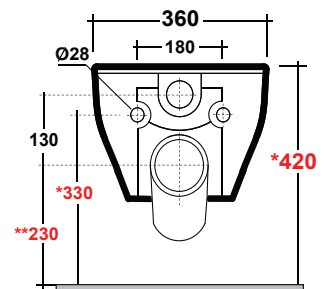
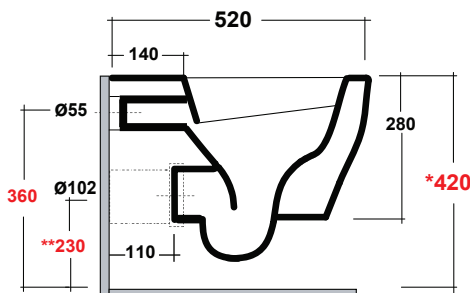
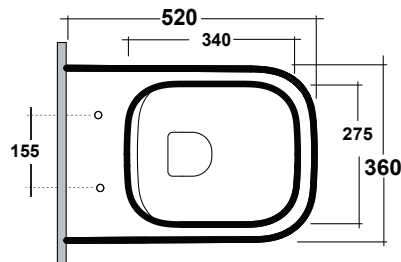
White, Matte White + Matte Black

INCLUSIONS

Complete with soft closing seat

Rimless Flush

CleanMax Anti Bacterial Glaze



Note: All dimensions are in millimetres and are subject to normal manufacturing variances. Studio Bagno reserves the right to alter dimensions at any time. Physical Product must be proofed and measurements confirmed before any alteration to installation area is conducted.
Date created: 02/02/2024

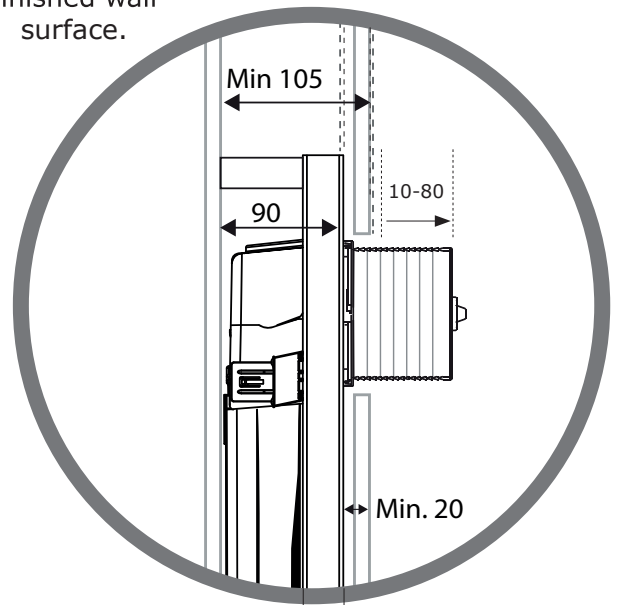


Min. 105 mm from rear of cistern to front edge of finished wall surface.

Min. projection of 10mm - Max. projection of 80mm of tile flange box required prior to trimming to accommodate actuator.

NOTE

See next page for compatible actuators



Minimum thickness from front of cistern to the front face of wall to be at least 20mm

Oli 74

IN-WALL CISTERN WITH FRAME

CODE

601803/MC
(if used with mechanical actuators)

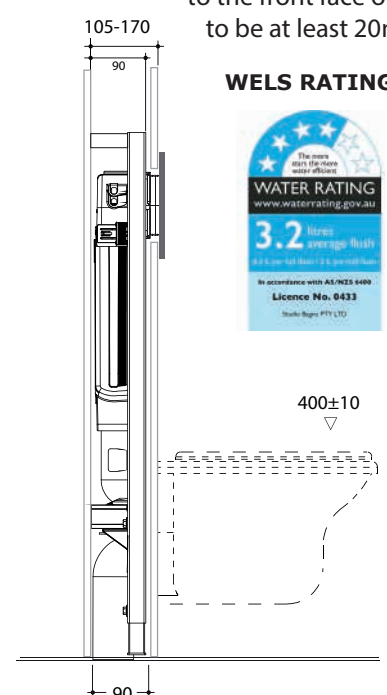
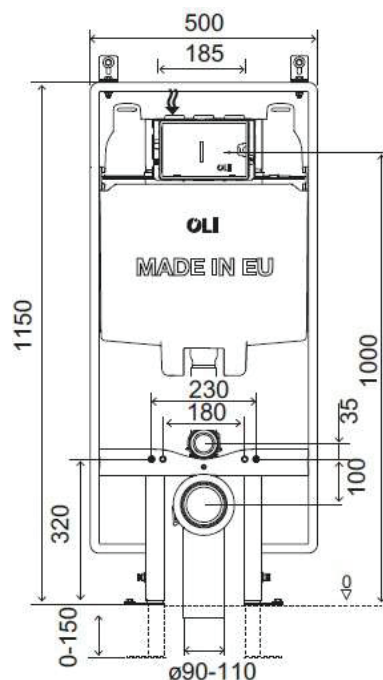
601803/PN
(if used with pneumatic actuators)

WEIGHT

14 kgs

FEATURES

- Front access only
- Dual flush in-wall cistern with 4.5/3 litre flush
- Ultra compact inlet valve
- Painted tubular frame
- 90mm thickness
- Adjustable outlet bend
- Frame tested to 400 kg load
- Height adjustable from 0 to 150 mm
- Stop cock provided
- Brackets for pre-wall fixing
- Protection box supplied for tiling purposes
- 10 Year Warranty
- Manufactured in Europe
- Mechanical actuator kit included



WELS RATING



COMPATIBLE ACTUATORS

Oli 74 IN-WALL CISTERN WITH FRAME

Cistern Code by Actuator



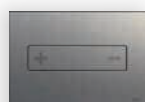
GLAM

601803/MC



GLOBE

601803/MC



OCEANIA

601803/MC



OCEANIA MIA

601803/MC



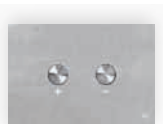
PLAIN

601803/MC



SLIM

601803/MC



BLINK

601 803/PN



TREND

601 803/PN



SPHERA +

601 803/PN



SPHERA -

601 803/PN



KARISMA

601 803/PN