

Wallaroo 6X12 Gazebo

Assembly Instructions

IMPORTANT NOTICE

(Read Carefully Before Assembly and Use)

PRODUCT INSTALLATION & WARRANTY CONDITIONS

Thank you for choosing our marquee/gazebo. To ensure the safety, longevity and performance of your product, please read the following information carefully before installation or use.

SECURING YOUR MARQUEE / GAZEBO

We strongly recommend that all marquees and gazebos are adequately and securely anchored at all times. Outdoor structures are subject to varying conditions such as wind, rain and uneven surfaces. It is the customer's responsibility to determine the most suitable method and accessories for securing the product based on the specific location, ground type and environmental exposure.

Note: Due to the size and surface area of these products, even a small gust of wind can cause significant movement or damage to the fabric and frame.

Recommended securing methods may include, but are not limited to:

- Heavy-duty pegs or stakes for soft ground installations
- Weight plates, sandbags, or water weights for hard surfaces
- Tie-down straps or ropes for additional stability in windy conditions

Failure to properly secure your marquee or gazebo may result in damage, collapse, or injury. We strongly advise that the structure not be left unattended or erected in extreme weather conditions, such as high winds or storms

WARRANTY CONDITIONS

Please note that our warranty does not cover any form of physical damage to the marquee or gazebo, including but not limited to:

- Tears, rips, or punctures in the fabric
- Bent, warped, or broken frames
- Damage to connectors, joints, or accessories

Such damage is considered to result from improper installation, insufficient securing, or misuse and will void the warranty.

CUSTOMER RESPONSIBILITY

Each installation environment is unique. It is the customer's responsibility to ensure the product is installed, used and maintained safely and appropriately. We recommend assessing weather conditions regularly and dismantling the structure when not in use or when severe weather is expected. By installing and using this product, you acknowledge that you have read and understood these requirements and accept responsibility for securing and maintaining your marquee/gazebo appropriately.

Note: This gazebo is designed as a temporary outdoor structure and must not be treated as a permanent shelter.

1. Before Assembly

- Check all poles, metal joiners, connectors and fabric components for damage before starting.
- Do not assemble if parts are bent, cracked, or defective.
- Wear protective gloves when handling metal parts.
- For stability and safety, assemble the gazebo with at least 3 people.
- Ensure all poles and connectors are clean and free from debris to achieve secure fitting.

2. General Safety Guidelines

- Always use the gazebo responsibly and only in suitable weather conditions.
- Do not use it during high winds, storms, heavy rain, hail, or snow.
- Do not leave the gazebo unattended at any time.
- Do not leave the gazebo set up overnight.
- Keep the working area clear of obstacles and ensure the ground is flat and stable before setup.
- Keep all small components away from children.
- Never allow climbing or hanging on the structure.
- Do not hang heavy items from the frame.
- Do not use open flames, heaters or fire pits underneath the gazebo.

Weather conditions can change rapidly. Outdoor structures are subject to varying conditions such as wind, rain and uneven surfaces.

3. During Assembly

- Insert poles fully into the metal joiners to ensure the frame is secure.
- Do not force components into place; misalignment can cause permanent damage.
- Assemble on flat, stable ground only.
- Once assembled, the gazebo must be secured immediately using supplied and additional stabilising equipment as required.

Weather conditions may vary by location, and extra securing is essential for safety and longevity.

4. During Use

- Always secure the gazebo with extra stabilising equipment if weather conditions are uncertain or windy.
- Frequently check connectors and poles to ensure nothing has loosened due to movement or wind.
- Remove water pooling from the canopy to prevent sagging and structural stress.
- Monitor weather conditions regularly and dismantle the structure when severe weather is expected.

The user is fully responsible for ensuring the gazebo is monitored, secured and dismantled as needed.

5. Warranty Conditions & Weather Disclaimer

Our warranty covers manufacturing defects only.

The warranty does not cover any form of physical or weather-related damage to the marquee or gazebo, including but not limited to:

- Tears, rips or punctures in the fabric
- Bent, warped or broken frames
- Damage to connectors, joints or accessories
- Damage caused by wind, storms, heavy rain, hail, snow or water pooling
- Damage resulting from improper installation, insufficient securing, misuse or neglect

Failure to secure the gazebo with additional pegs, ropes, weights or sandbags—beyond what is supplied—may result in instability or damage and is not considered a manufacturing fault.

Such damage will void the warranty.



6. Care & Maintenance

- Clean metal poles with mild soap and water and dry thoroughly to prevent rust.
- Treat rust spots promptly with rust-resistant paint or spray.
- Clean fabric parts with mild detergent only; avoid abrasive chemicals.
- Ensure all parts are completely dry before storage to prevent mould, mildew and corrosion.










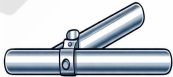



7. Dismantling & Storage








- Ensure the gazebo is fully dry before taking it down.
- Remove all ropes, pegs and weights carefully before disassembling the frame.
- Disassemble in reverse order of setup.
- Avoid bending or twisting metal parts during removal.
- Store in a cool, dry place away from direct sunlight and moisture.
- Do not store the canopy or fabric while wet.
- Keep smaller components grouped or stored in labelled bags to prevent misplacement.



PART LIST

Check that all parts are present before starting assembly

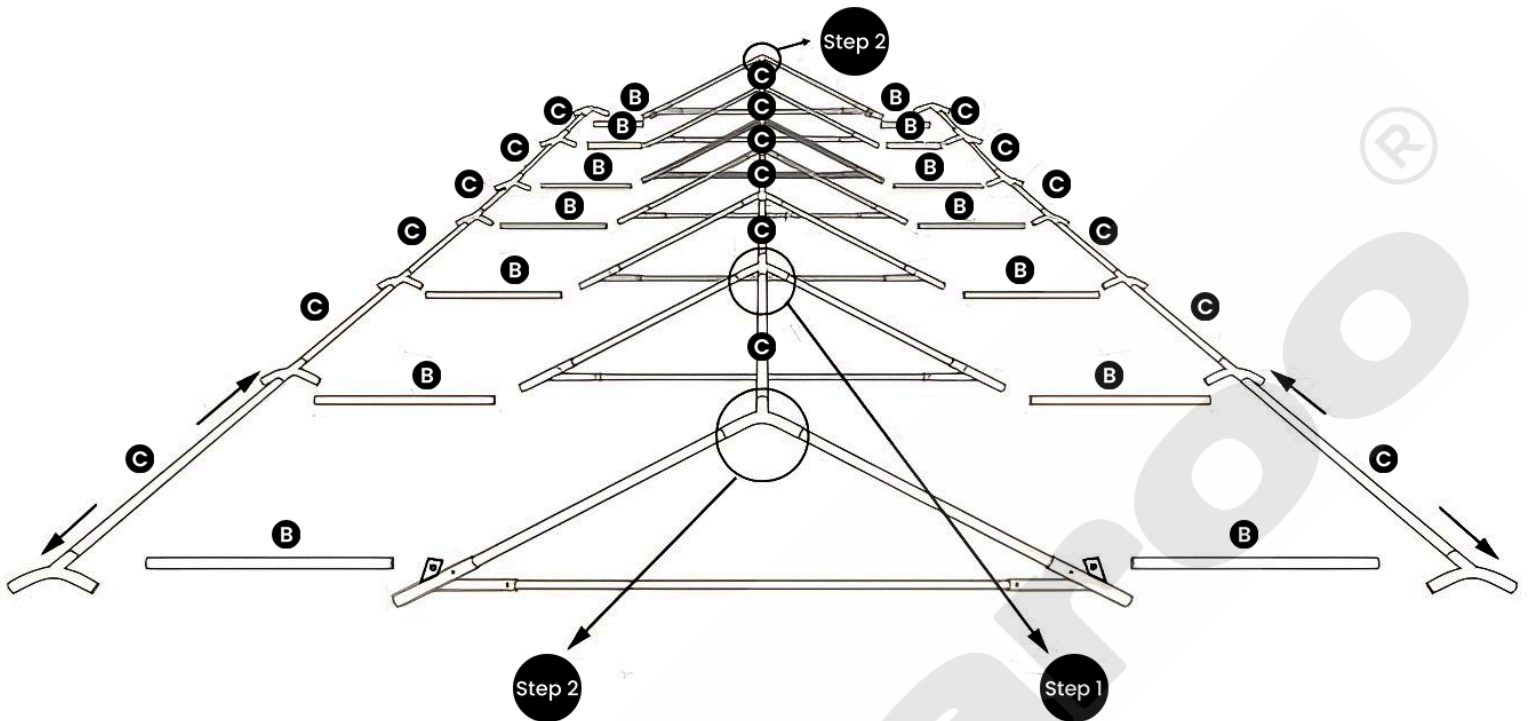
Part Name	Picture	Description	Quantity
A		Small Roof Pole	14
B		Large Roof Pole	14
C		Horizontal Pole	18
D		Vertical Pole	14
E		Support Pole	7
F		3-Way Arc Connector	6
G		4-Way Arc Connector	15
H		3-Way Joiner	14
I		3-Way Corner Joiner	2
J		3-Way Corner Joiner	2
K		Base Plate	14
L		Peg	36
M		Toggle	84

N		Guy Rope	4
O		Roof	1
P		Side Wall	2
Q		Door Wall	1
R		End Wall	1
S		Tension Cable	2
T		Sandbag	14



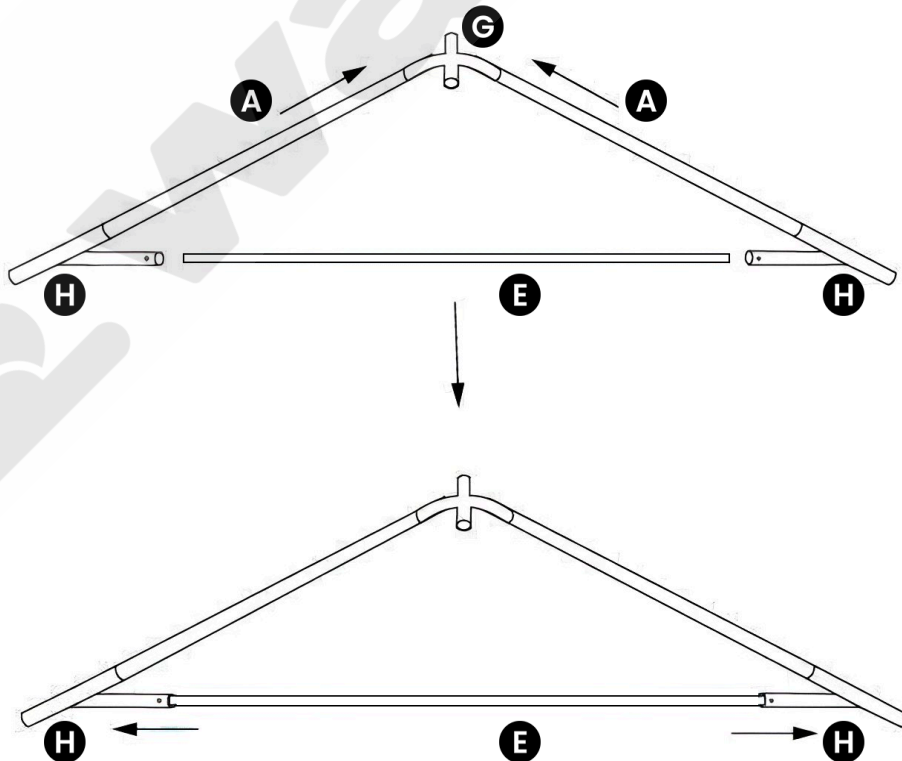
Walla

Diagram for the Roof Frame



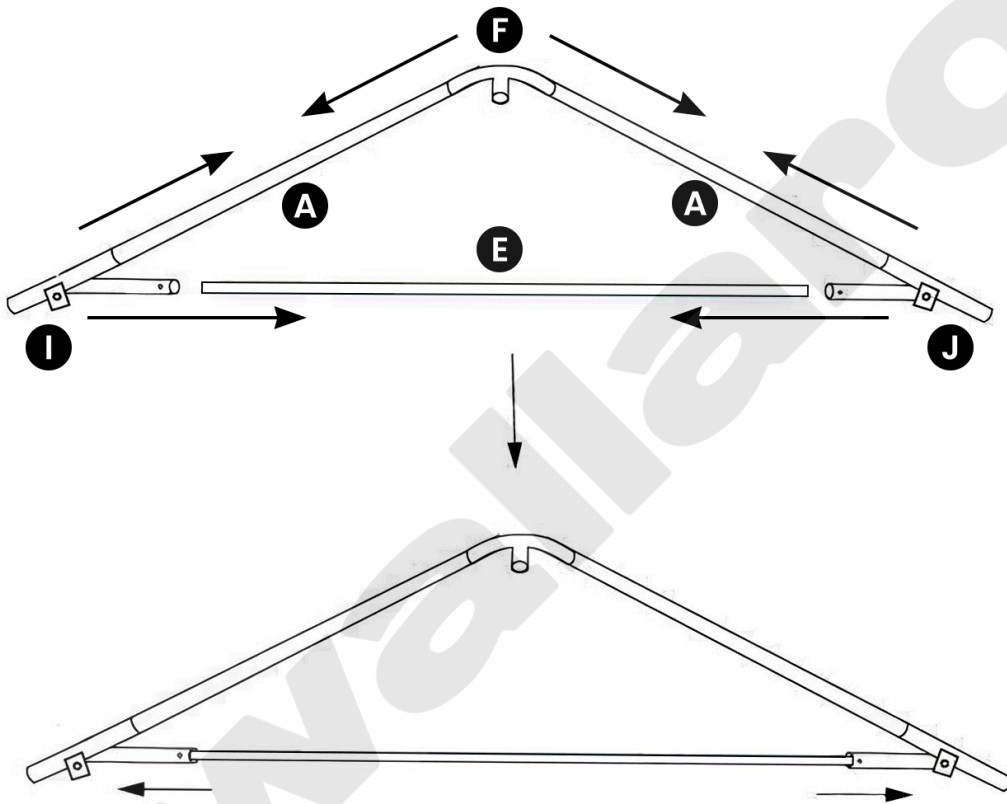
Step 1

- Attach two Small Roof Poles (Part A) with a 4-Way Arc Connector (Part G) and then attach both to the Support Pole (Part E) using two 3-Way Joiners (Part H).
- Repeat the steps and assemble 5 sets.
- You have now assembled 5 Mid-Frame sets.



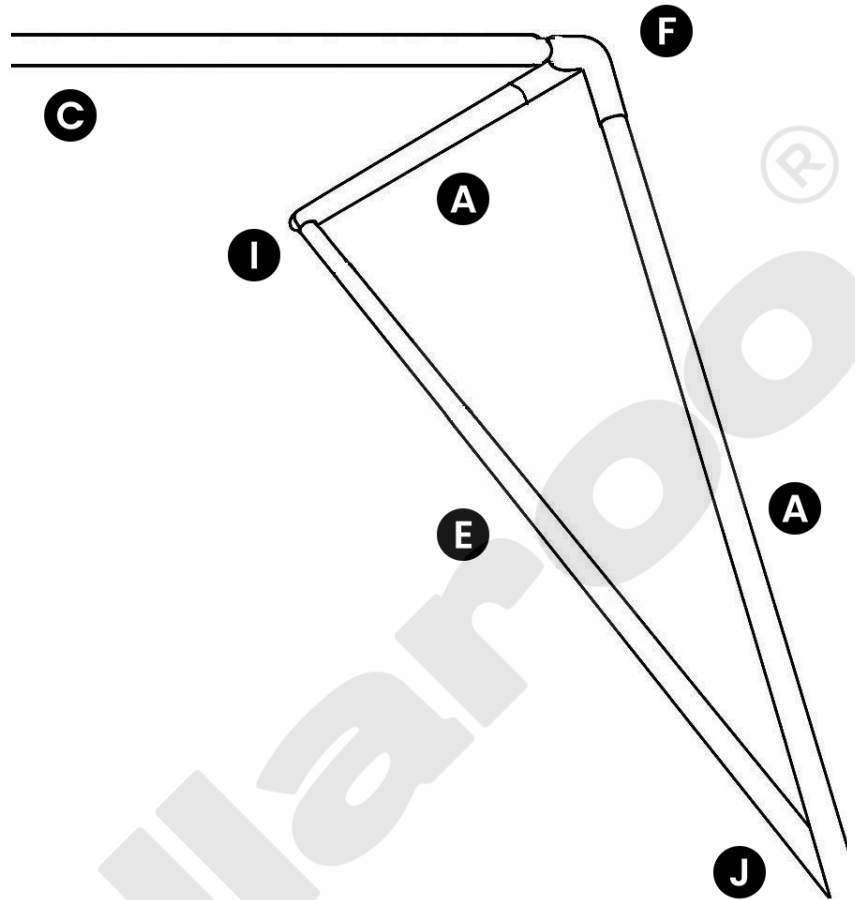
Step 2

- Attach two Small Roof Poles (Part A) with a 3-Way Arc Connector (Part F) and then attach both to the Support Pole (Part E) using two 3-Way Corner Joiners (Part I and J).
- Repeat the step and assemble two sets.
- You have now assembled 2 End-Frame sets.
- 3-Way Corner Joiners (Part I and J) and 3-Way Arc Connectors (Part F) should all be facing in the same direction.



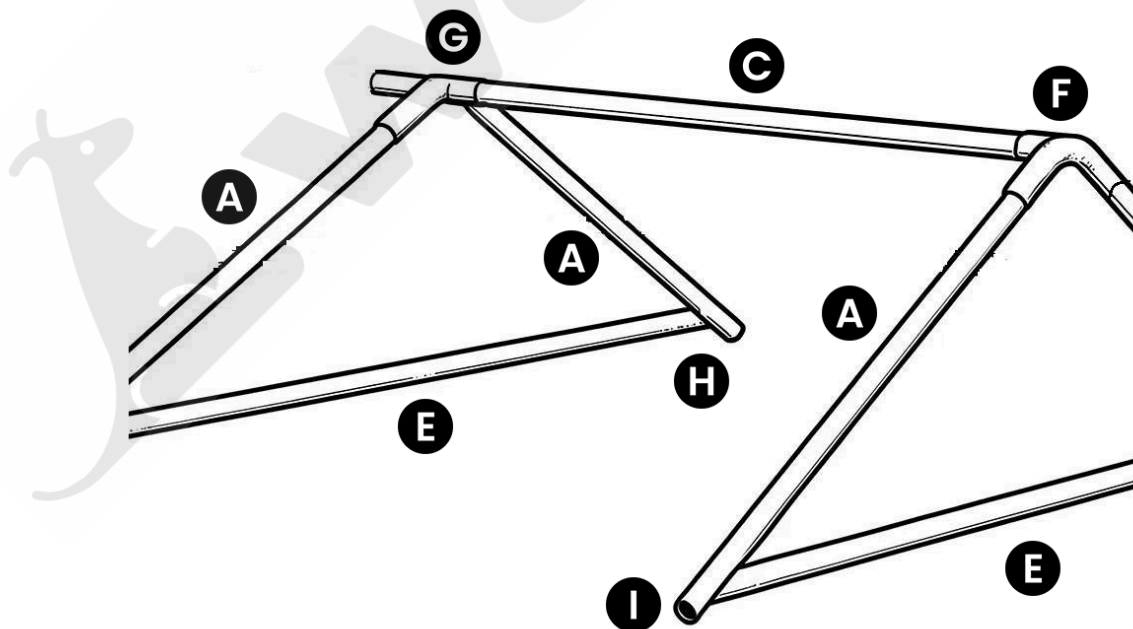
Step 3

- Attach one Horizontal Pole (Part C) to the End-Frame set using a 3-Way Arc Connector (Part F) as shown here.



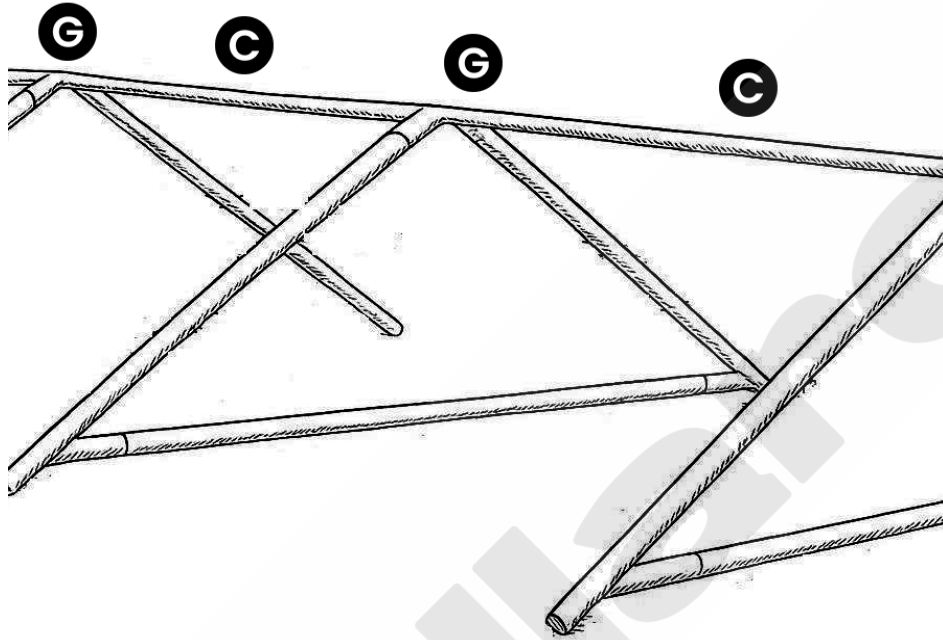
Step 4

- Connect the End-Frame set to the Mid-Frame set using the Horizontal Pole (Part C) and 4-Way Arc Connector (Part G).



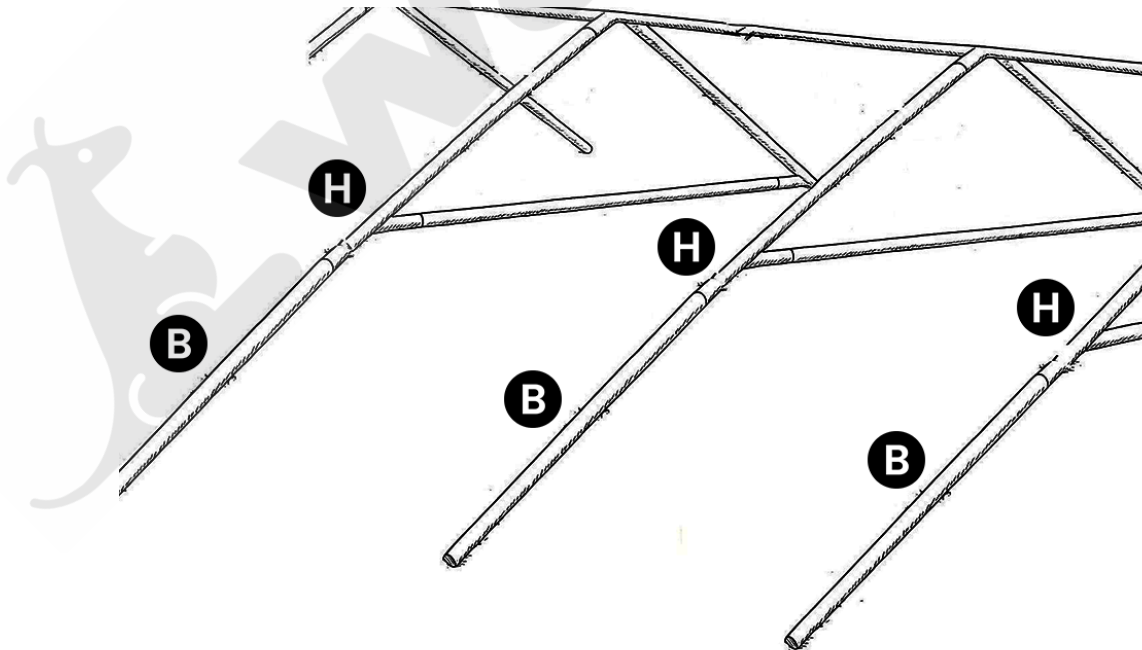
Step 5

- Connect remaining Mid-Frame sets using 4-Way Arc Connectors (Part G) and Horizontal Poles (Part C).
- Connect the End-Frame set with the Mid-Frame using one Horizontal Pole (Part C).
- You have now assembled the top section of the Roof Frame.



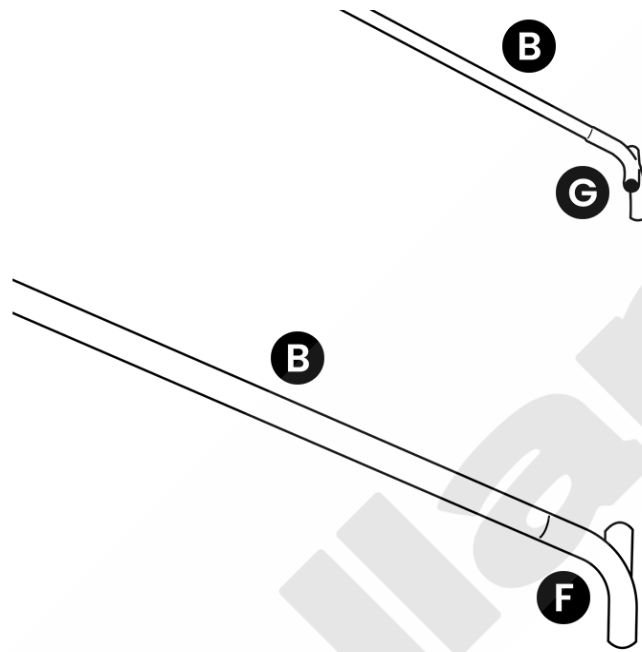
Step 6

Attach all Large Roof Poles (Part B) (7 on each side of the top section of the Roof Frame) to 3-Way Joiners (Part H) and 3-Way Corner Joiners (Part I and J) as shown below.



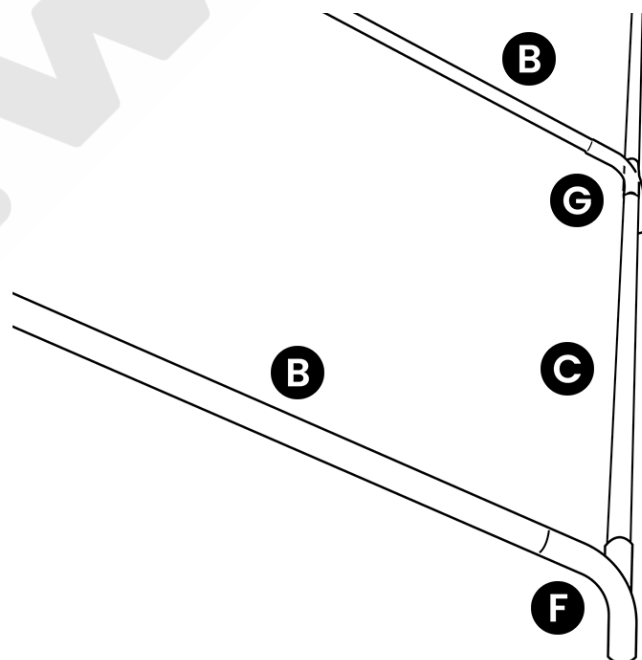
Step 7

- Connect the 3-Way Arc Connector (Part F) to the end of the Large Roof Pole (Part B) attached to the End-Frame set (assembled in Step 6). Repeat for both End-Frame sets.
- Connect the 4-Way Arc Connector (Part G) to the ends of the Large Roof Pole (Part B) attached to the Mid-Frame sets. Repeat for all Mid-Frame sets.



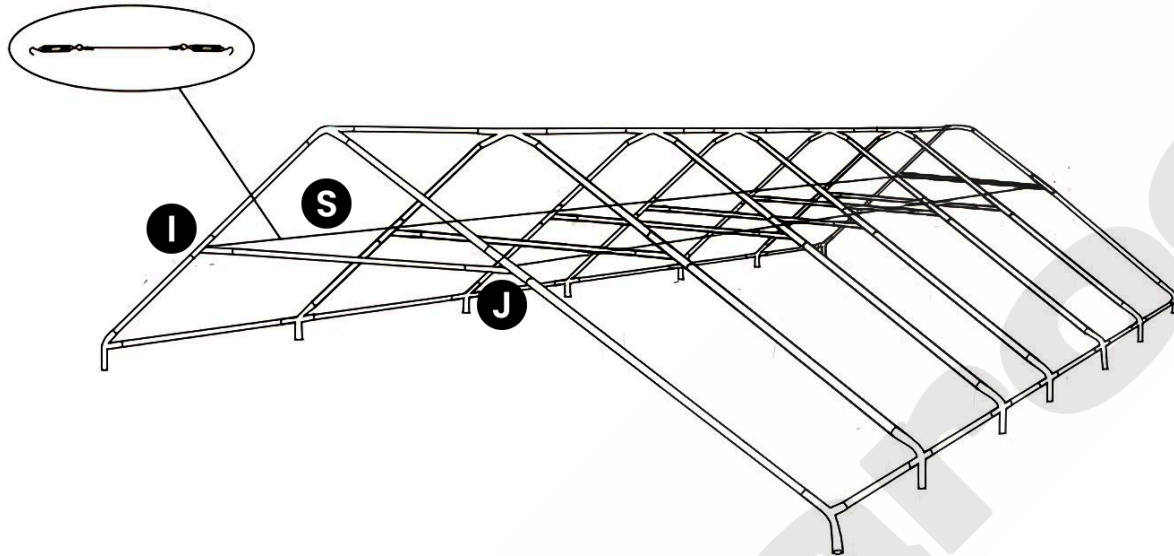
Step 8

- Attach Horizontal Pole (Part C) to all Connectors and Joiners (Part F, G, H and I) assembled in Step 7.



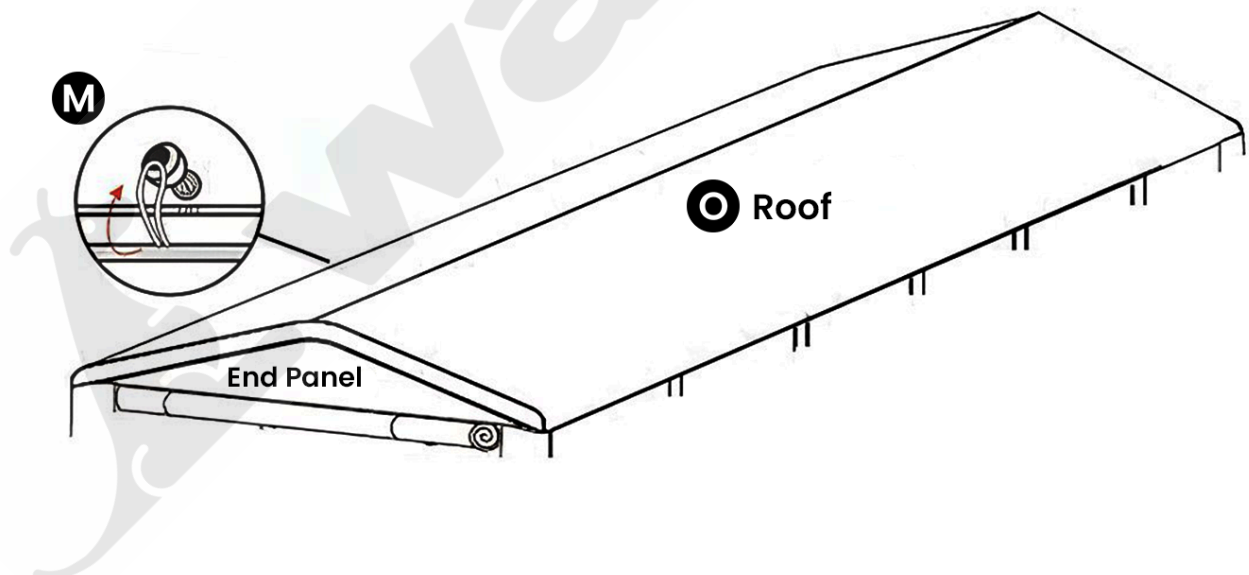
Step 9

- Connect Tension Cable (Part S) to Joiners (Part I and J) on End-Frame sets.
- You have now assembled the Roof Section.



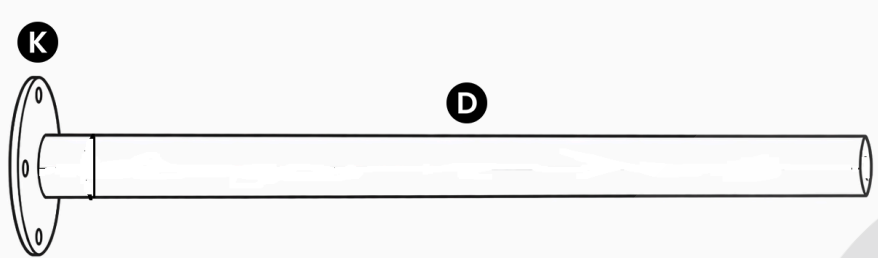
Step 10

- Attach Roof (Part O) to the assembled Roof Frame Section using Toggles (Part M)
- Attach the Door Wall (Part Q with Zip) to the front of the gazebo to form the entry.
- Attach End Wall (Part R) to the other end of the gazebo.



Step 11

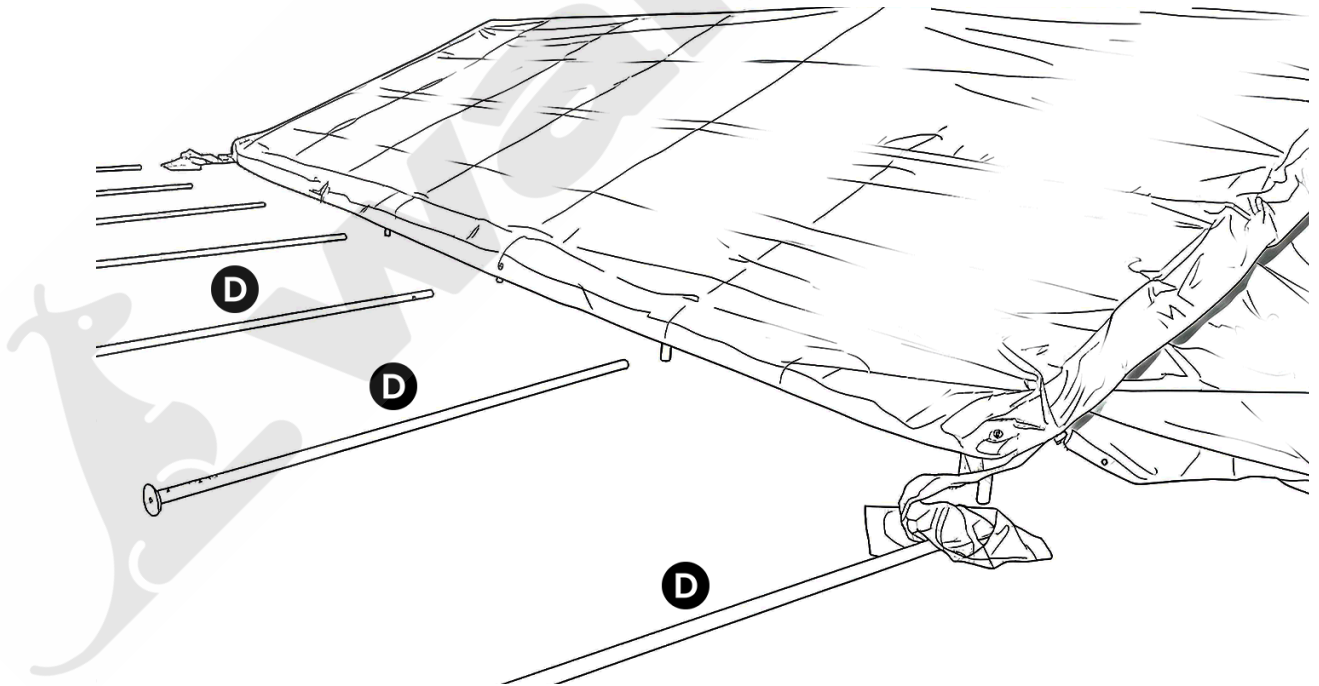
- Attach Base Plate (Part K) to Vertical Pole (Part D).
- Repeat for all Vertical Poles (Part D)
- You have now assembled Leg Bases.



Step 12

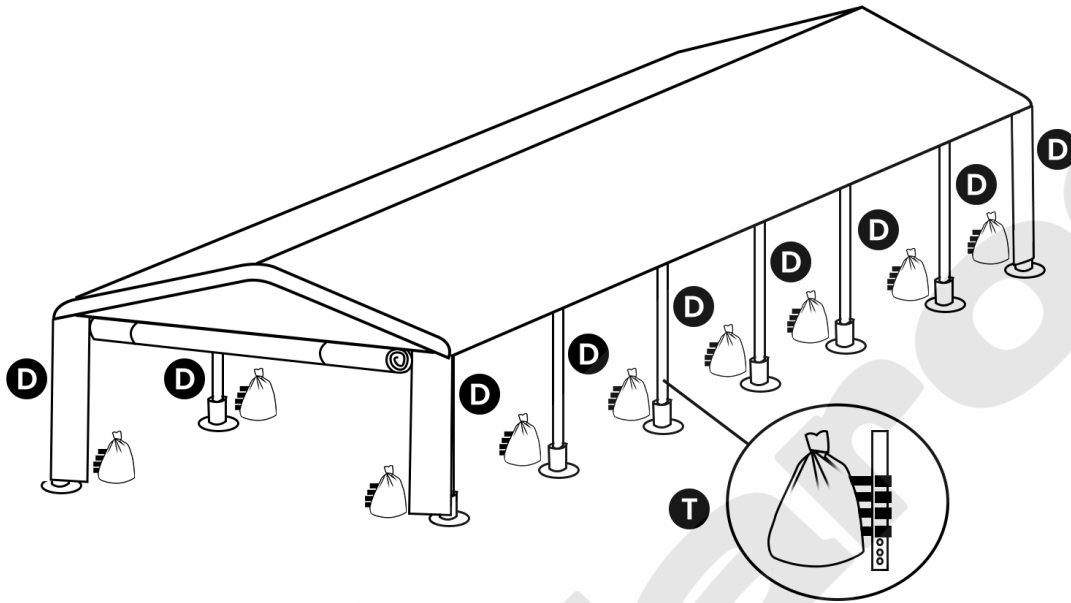
CAUTION – THIS STEP REQUIRES A MINIMUM OF 4 PEOPLE TO COMPLETE AND TO LIFT THE ROOF FRAME. FAILURE TO DO SO MAY CAUSE DAMAGE TO THE FRAME AND VOID THE WARRANTY.

- Attach Leg Bases (Part D assembled in Step 11) to 3-Way Arc Connector (Part F) and 4-Way Arc Connector (Part G) on the Assembled Roof Frame.



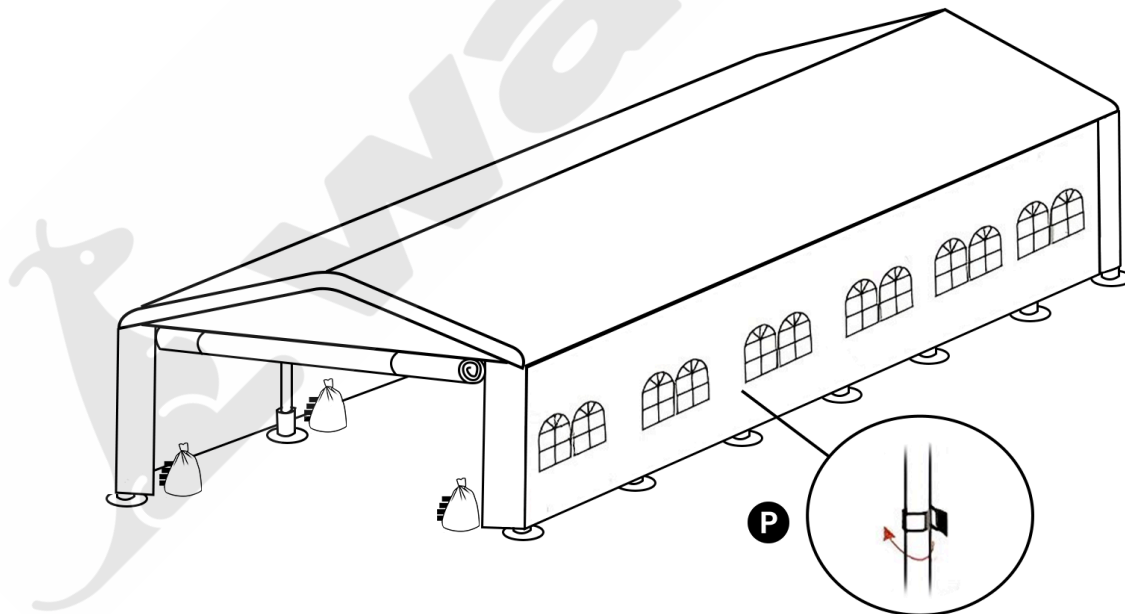
Step 13

- Before this step, Sand Bags (Part T) are required to be filled with sand.
- Attach the filled Sand Bags (Part T) to Leg Bases (Part D assembled in Step 11).



Step 14

- Attach the Side Wall (Part P) on each side of the assembled frame, using the Velcro Ties.



WARRANTY AND CONTACT DETAILS

Kmate Pty Ltd provides a 12 month warranty for this product when used for domestic purposes. This product is not intended for commercial use and any such use will void all warranty.

The benefits of this warranty are provided in addition to other rights and remedies you may have under the law in relation to the goods and services to which this warranty relates. Our goods come with guarantees that cannot be excluded under the Australian Consumer Law. You are entitled to a replacement or refund for a major failure and for compensation for any other reasonably foreseeable loss or damage. You are also entitled to have goods repaired or replaced if the goods fail to be of acceptable quality and the failure does not amount to a major failure.

Before making a claim under warranty, please refer to your user/installation manual to ensure that you have followed correct operating procedures of your product and refer to the trouble shooting section (if such exists) to assist solving any problems.

The warranty period begins from the day of purchase. Your proof of purchase must be produced before assistance will be provided.

Where the product is replaced pursuant to this warranty, the replacement product will be subject to the warranty terms and warranty commencement date of the original product.

This warranty is only valid if the product is operated and maintained in accordance with the manufacturer's instructions.

Damage to property including but not limited to pets, garden, landscaping or any other event either directly or indirectly are excluded from warranty as well as any losses or expenses incurred by you in relation to the product or making a claim under this warranty including without limitation any costs associated with installation, reinstallation or transporting the product:

A claim may be refused if the defective claim has arisen for reasons other than a manufacturer's fault or defective parts or workmanship. Circumstances in which a warranty claim may be declined include, but are not limited to the following:

- Normal wear and tear;
- Damage to the product caused by lack of maintenance and cleaning;
- Colour and material fade;
- Damage due to inclement weather;
- Exposure to chemicals;
- Misuse or abuse, including failure to properly maintain or service;
- Damage caused by improper or incorrect installation, force-majeure, electrical surges, lightning, power grid fluctuations;
- Insect or vermin infestation;
- If the product is disassembled or modified without authorisation from Kmate Pty Ltd in writing;
- If you are unable to supply a certificate of compliance for installation of any type as required by State & Territory Laws



CONTACT DETAILS

Kmate Pty Ltd
PO Box 133, Braeside VIC 3195
Email: warranty@wallaroo.com.au
Phone: 03 9790 0055