

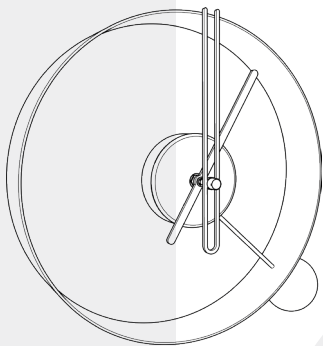


**Mclocks**

More than  
a clock

# ENDLESS

## INSTALLATION - INSTALLATION GUIDE



www.mclocks.store



Scan QR Code  
For Instructions

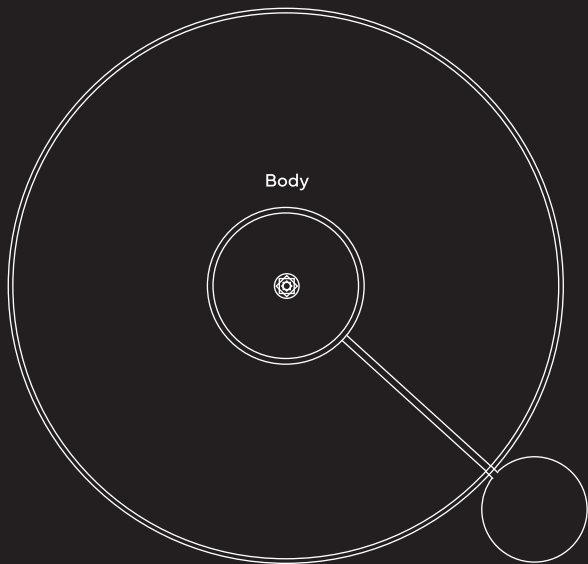




Thank you for choosing Mclocks. You can access the installation video related to the Endless model by scanning the QR code on the homepage with your mobile phone's camera. All the necessary information is available in the installation guide and video.

-  [mclocks.store](https://www.instagram.com/mclocks.store)
-  [www.mclocks.store](http://www.mclocks.store)
-  [info@mclocks.store](mailto:info@mclocks.store)

# CONTENTS



Hour Hand

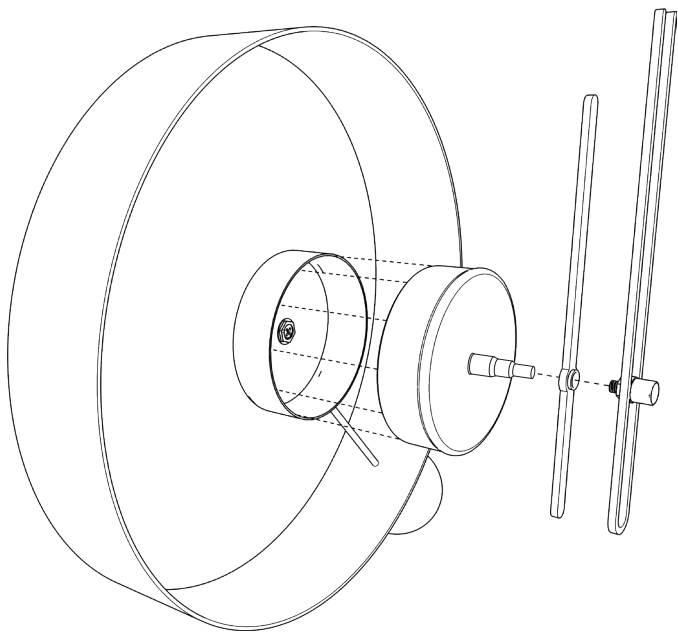


Minute Hand



Clock  
Mechanism

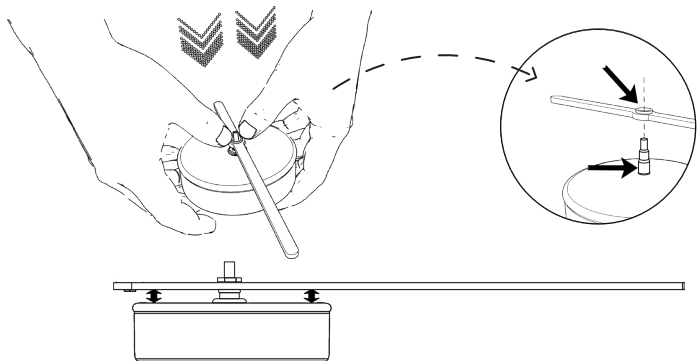






## BEFORE YOU BEGIN

- Make sure you have read the manual. Follow instructions to complete your set-up.
- This product has been tested and run for 24 hours before being delivered to you. This is to ensure your product is of the highest quality.
- The Mclocks package includes an 'hour' hand, and a 'minute' hand. The shorter hand is the hour hand and the longer hand is the minute hand. The product does not consist of a 'seconds' hand.
- **DO NOT** in any circumstance move the hour hand manually. When adjusting the time you must **ONLY** move the minute hand.
- The mechanism is very silent.

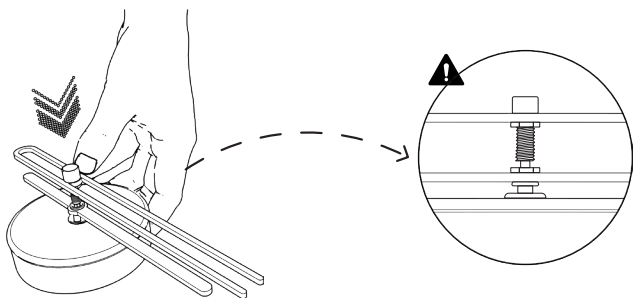


1

Insert the hour hand to the mechanism by pressing down until the metal nut piece at the center, facing upwards, fits into the indicated area as shown by the arrow.

Ensure the hand is parallel to the clock mechanism (see image above).

Ensure the hour hand does not move from this position during setup of the clock.



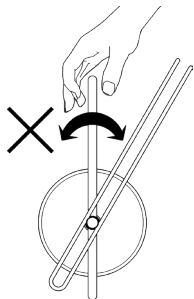
2

Attach the minute hand in line with the hour hand.

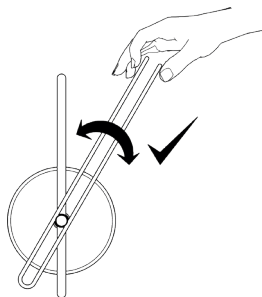
Press down from the connection point of the minute hand and not from the ends.



See image for the correct installation method of the hour and minute hands.

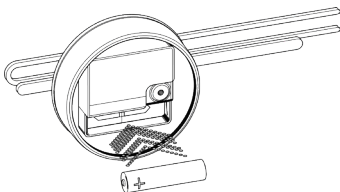


**DO NOT** in any circumstance move the hour hand manually. When adjusting the time you must **ONLY** move the minute hand.



When adjusting the time, only move the minute hand. The minute hand can be moved both clockwise and counterclockwise.

3 Insert battery.

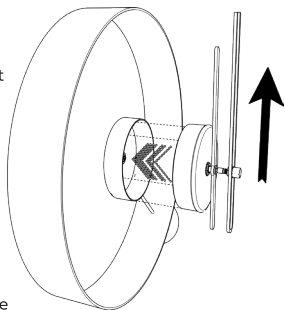


4 **\*IMPORTANT\***

Before attaching the clock mechanism to the body, you will need align the minute hand directly in line with the hour hand (refer to the diagram). **DO NOT** manually turn the hour hand, ensure you only adjust the minute hand.

Once you have aligned the clock hands, place the mechanism onto the body with the hands facing 12:00.

Once the mechanism is attached to the body with hands pointing to 12:00, you may fix the time using **ONLY** the minute hand. Turn the minute hand manually until the desired time is set. The hour hand will move as you turn the minute hand.







## USER'S GUIDE

- To clean your product, use a damp cloth. Do not use chemicals.
- **Remove the clock mechanism before cleaning.**
- To replace the battery, remove the mechanism from the body.
- After replacing the battery, bring the minute hand over the hour hand manually, then align the clock mechanism so that the hands are pointing to 12:00.
- 12:00 o'clock is where the hands should point when resetting your clock. Always **ONLY** turn the minute hand to adjust the time.
- If you require further information, please contact us.





**Mclocks**

More than  
a clock

- 📍 +1 661 888-80-50
- 📱 @mclocks.store
- 🌐 www.mclocks.store
- ✉ info@mclocks.store