

CAROMA

OPAL - SINK MIXER

WATER EFFICIENT TAPWARE

PLUMBERS INSTALLATION INSTRUCTIONS

Important Information

- * **Not suitable for gravity feed systems.**
- * **Mixer is fitted with a flow regulated aerator insert. This low flow rate may not be suitable for connection to some Instantaneous Gas Water Heaters, some Tempering Valves, some Solar Water Heaters & some Thermostatic Mixing Valves. Check with the manufacturers of these products.**
- * **Isolating stop taps must be fitted to the hot & cold water supply connections. (Part No. 842018C - Mini cistern 1/4T)**
- * **All pipework must be thoroughly flushed prior to installation, as foreign materials may block the flow regulating device and reduce the flow of water.**
Note: Aerator insert housing must be retightened to prevent removal by hand.

Installation

- 1) From fixing pack fit 'O' ring (10) into groove in base ring (9). Slide the base ring over the threaded tube (15) & locate spigot of base ring (9) into base of riser body (22), as shown.
- 2) **Flexible Tail Mixer Connections:** Apply suitable lubricant to 'O' rings (16). Fit flexible tail (17) (with red indication) into hole marked with a Red Dot in underside of mixer body (8). Hand tighten the tail, ensuring the 'O' rings (16) have fully entered the sealing bore to provide a watertight joint. Fit other flexible tail (with blue indication) into remaining hole in a similar manner.
- 3) Insert the inlet connection end (18) of each flexible tail (17) through the hole in the deck. Insert threaded tube (15) of mixer (8) into deck hole, fit washer (12) together with flat seal (11) over threaded tube of mixer as shown in Fig. 1. Screw clamp ring (13) onto threaded tube until it contacts washer (12) & the flat seal (11) has contacted the underside of the deck. Tighten two screws (14) equally using a 3mm allen key until mixer assembly is clamped firmly to the deck. **DO NOT OVERTIGHTEN.**
- 4) **Flexible Tail Inlet Connections:** Connect the flexible tails (17) to the hot and cold isolating stop taps, hand tighten the connecting nut (18) until rubber cone contacts the sealing face of the connection end, then tighten a further one turn to provide a watertight joint.

Important: Flexible tails must not be kinked, twisted or in tension when installed. (Minimum Bend Radius:- 50mm) Do not install flexible tails where subject to ultra violet light.

Replacing Aerator Insert

- 1) Carefully remove aerator housing (25) from mixer body (8), taking care not to damage the decorative finish.
- 2) Remove 'O' Ring (23) & aerator insert (24) from aerator housing. Check that aerator housing is clean. Deposits of lime can be removed by washing in a vinegar solution.
- 3) Fit new aerator insert (24) into aerator housing (25) followed by 'O' Ring (23) then screw assembly into mixer body (8) and tighten securely (to prevent removal by hand).

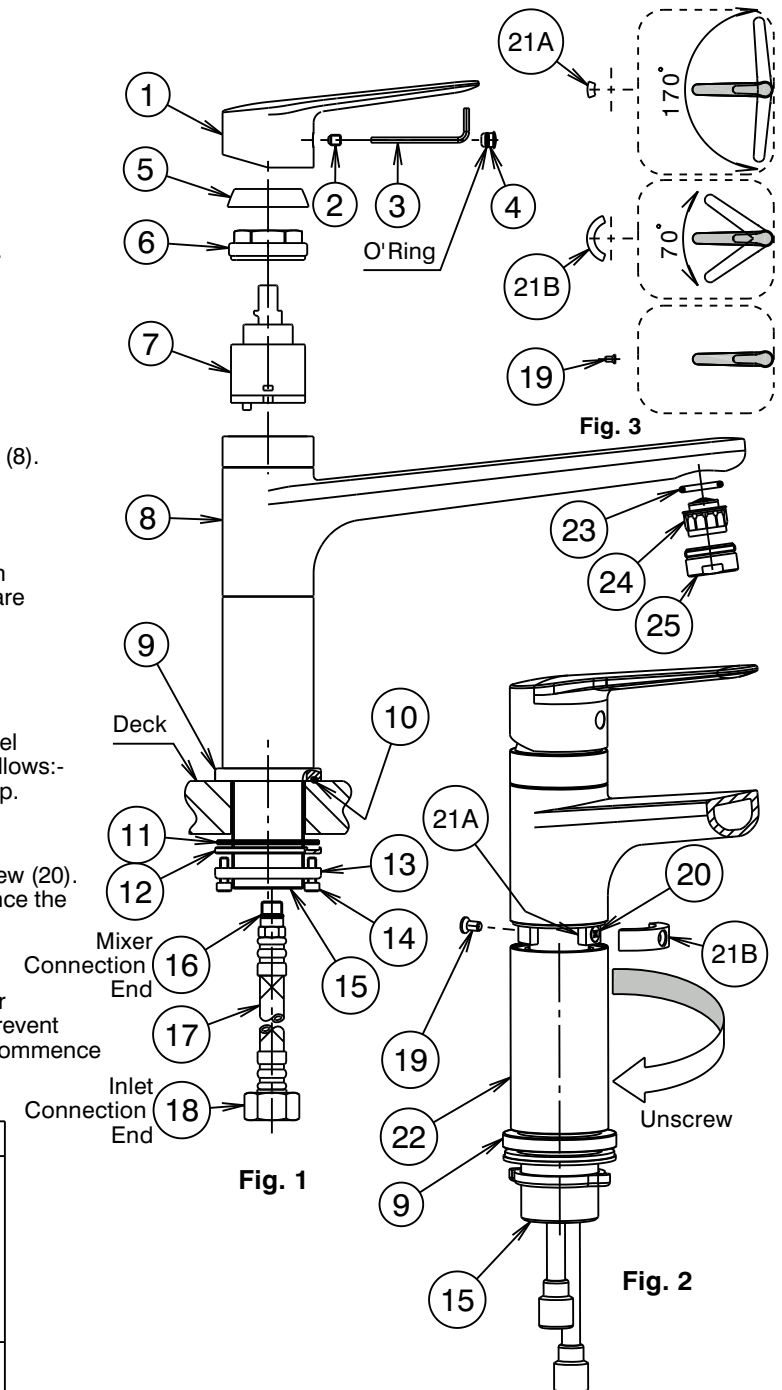
Replacing Cartridge

- 1) Turn off hot and cold water supplies at isolating stop taps.
- 2) Carefully remove plug (4) before using a 2.5mm allen key (3) to loosen grub screw (2) and remove handle (1). Remove cap (5) taking care not to damage the decorative finish. Unscrew nut (6) then lift out old cartridge (7).
- 3) Ensure inside face of mixer body (8) is clean. Check that seal is in position in base of new cartridge (7). Fit new cartridge (7) into mixer body (8), taking care that two lugs on base of cartridge (7) fit into mating holes in mixer body (8).
- 4) Screw on nut (6). **Important:-** Nut (6) should be tightened to a torque of 10 Nm.
- 5) Replace cap (5), tightening by hand. Fit handle (1) taking care that it is pushed fully onto cartridge stem, then tighten grub screw (2). Fit plug (4) together with 'O'-ring, taking care not to damage the decorative finish.
- 6) Turn on isolating stop taps and check operation.

Outlet swivel range adjustment (Fig.3)

The mixer is supplied with a swivel range of 170°. The swivel range can be reduced or disabled before installation as follows:-

- 1) Unscrew riser body (22) by hand, to expose the swivel stop.
 - 2a) **To reduce the swivel range to 70 degrees:**
Remove screw (20) and plastic stop segment (21A). Fit larger stop segment (21B) from kit and retain with screw (20). Screw up the riser body (22) until it bottoms then commence the installation of the mixer.
 - 2b) **To fix the outlet and prevent swivel:**
Rotate the outlet to the mid position so that the hole at the rear of the outlet aligns with the screw hole in the mixer body, then fit screw (19) from kit and tighten securely to prevent swivel. Screw up the riser body (22) until it bottoms then commence the installation of the mixer.



IMPORTANT	
<u>Pressure & Temperature Requirements.</u>	
•	Hot and cold water inlet pressures should be equal.
•	Static inlet pressure range : 150-1000 kPa
	New Regulation:- 500 kPa maximum static pressure at any outlet within a building. (Ref. AS/NZS 3500.1)
•	Maximum hot water temperature : 80°C.
<u>Deck Requirements</u>	
•	Deck thickness : 40mm maximum
•	Tap body hole (in deck) : Ø34-36mm