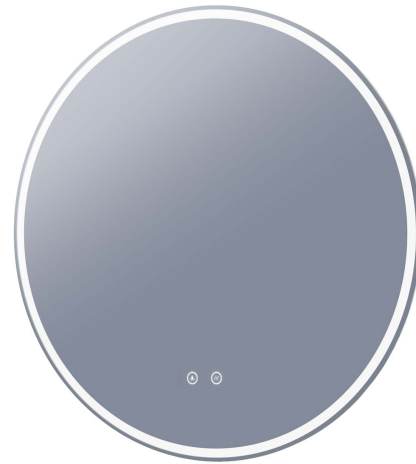


SPHERE 800D

S80D



Size (mm):

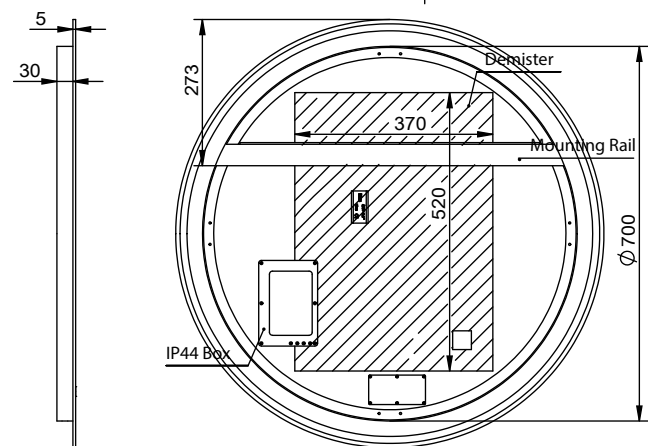
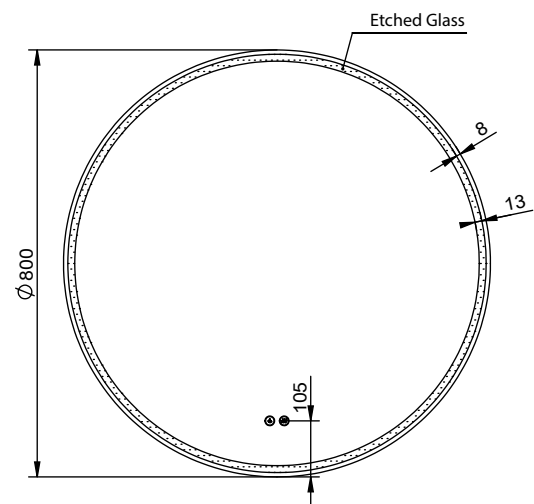
Diameter	800
Depth	35

Features

LED Lighting	✓
Demister with 1 Hour Auto Cut-off	✓
Copper Free Mirror	✓

Optional Extra: Aluminium Coloured Frames

Matt Black	S80D-MB	●
Gun Metal	S80D-GM	●
Brushed Nickel	S80D-BN	●
Rose Gold	S80D-RG	●
Brushed Brass	S80D-BB	●



Please note: Must be installed by a licensed electrician in accordance with local regulations.

WARRANTY

5 years

*Conditions apply

To clean this mirror, wipe it with a soft microfiber cloth or a lint free cloth that has been rinsed in warm water and wrung out well, then rub the mirror gently with a soft dry cloth.

PLEASE do not use glass or window cleaner, or other cleaners with chemical agents. These may damage the silver coating and brown marks can result.

Please confirm all particulars with your sales consultant or refer to our website for more information prior to purchase.