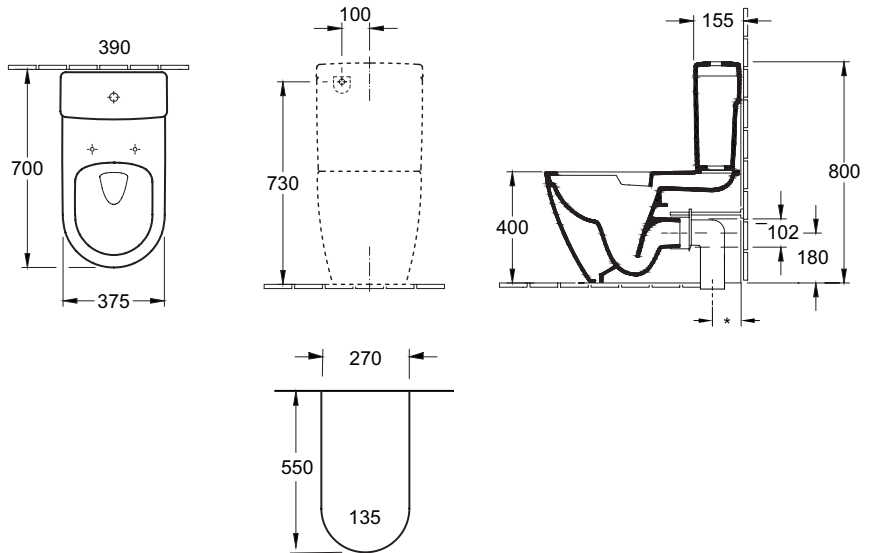




ARCHITECTURA 2.0 DIRECT FLUSH BTW TOILET

Product Image **Technical Specification**



Water Entry:	Rear Water Entry		
*S-Trap Set-out options	Distance from finished wall to centre of soil pipe	Vario Bend required	Installation Notes
Recommended	140mm	50015PNEW	Supplied standard with S-trap Suites
Standard Adjustment Range	110-210mm		To be cut to required length on-site
With extension bend	200-290mm	8702	Order separately with P-Trap Suite
			To be cut to required length on-site - Requires installation into DWV pipe (adaptor supplied)

Description	
Architectura 2.0 DirectFlush BTW Toilet WELS 4 Star / 4.5/3L	
5691R101S4DB	S-Trap
5691R001S4CB	P-Trap
5691R1R1S4DB	S-Trap with CeramicPlus
5691R0R1S4CB	P-Trap with CeramicPlus

Additional Information

- Soft Closing Seat
- Rear Water Entry
- 5 Year Warranty
- *Conditions Apply

Direct Flush

Villeroy & Boch

Ceramic Plus

Villeroy & Boch

Soft Closing

Villeroy & Boch

