



# COOLIBAH CONTEMPORARY LEVER - WALL TOP ASSEMBLIES

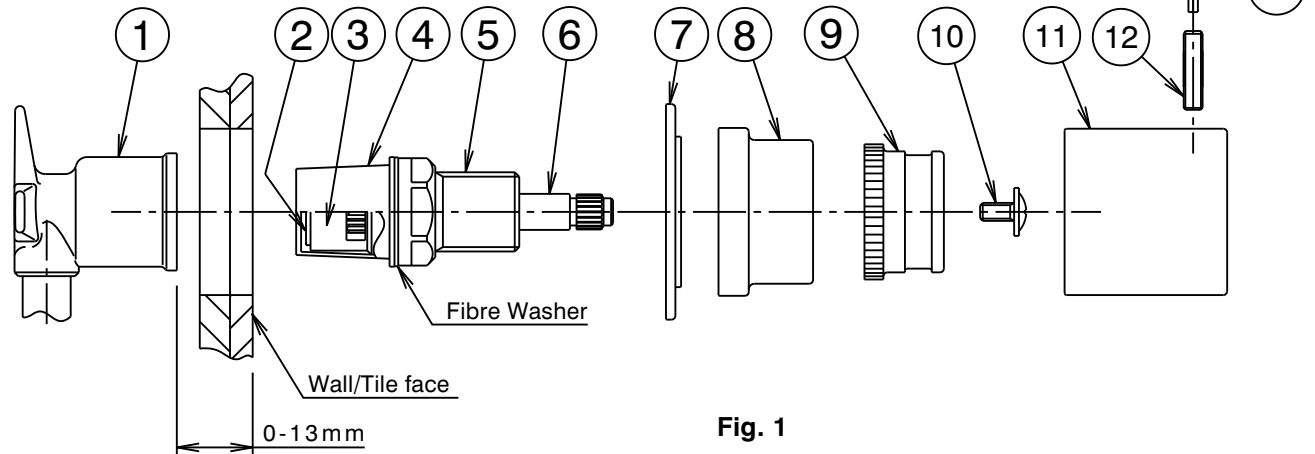
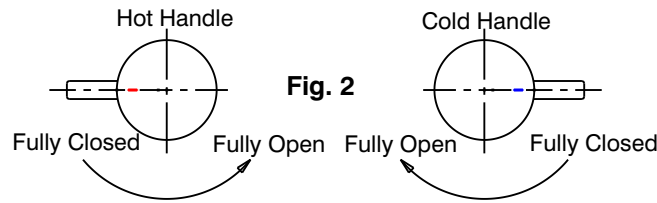
CAROMA

## PLUMBERS INSTALLATION INSTRUCTIONS

### Installation

- 1) Check that the face of the recess tap body (1) is 0-13mm from the wall/tile face, as shown in Fig. 1.
- 2) Check seats in recess tap bodies (1) are in good condition and free of foreign materials. Reseat if required.  
**Important:** All pipework must be thoroughly flushed prior to installation, to remove all foreign matter.
- 3) To install ceramic disc cartridges (3), first identify cartridge spindle rotation by seal (2) colour.  
Hot Tap: use normal rotation cartridge (red seal)  
Cold Tap: use contra rotation cartridge (blue seal)
- 4) Remove locknut (5), cap (4) and fibre washer from cartridge(3). Screw cartridge (3) into tap body (1). Using a suitable spanner, tighten cartridge (3) until it comes to a firm stop. (DO NOT TIGHTEN CARTRIDGE USING SPINDLE). Fit fibre washer and then locknut (5) and tighten using a suitable spanner.
- 5) With cartridge spindles in the fully closed position, fit handle insert (9) onto spindle (6) and position handles (11) as shown in Fig (2) before pushing handle (11) fully onto handle insert (9). For small adjustments to handle positions, cartridge (3) can be rotated **slightly** in an anti-clockwise direction until handles are aligned (Fig.2) before tightening locknut (5). Remove handles(11) and handle inserts (9).
- 6) Fit cover plate (7) over each installed cartridge. Screw on wall flange (8) and tighten fully by hand against wall/tile face, taking care not to damage the decorative finish.
- 7) Fit handle assembly as follows:-  
i) Fit handle insert (9) to spindle (6) and secure using screw (10).  
ii) Position each handle (11) on handle insert (9) as before then push it firmly down until it bottoms internally.  
iii) Tighten retaining screw (12) with allen key (13) provided. Slide 'O'ring (14) onto screw (12). Screw handle lever (15) onto retaining screw (12) and tighten firmly by hand, taking care not to damage the decorative finish.

IMPORTANT	
<b><u>Pressure &amp; Temperature Requirements.</u></b>	
<ul style="list-style-type: none"> <li>• Hot and cold water inlet pressures should be equal.</li> <li>• Static Inlet pressure range : 150 -1000 kPa New Regulation : 500 kPa maximum static pressure at any outlet within a building. (Ref. AS/NZS 3500.1)</li> <li>• Maximum hot water temperature : 80°C.</li> </ul>	





CAROMA

# COOLIBAH - ADJUSTABLE SHOWER

## WATER EFFICIENT TAPWARE

+

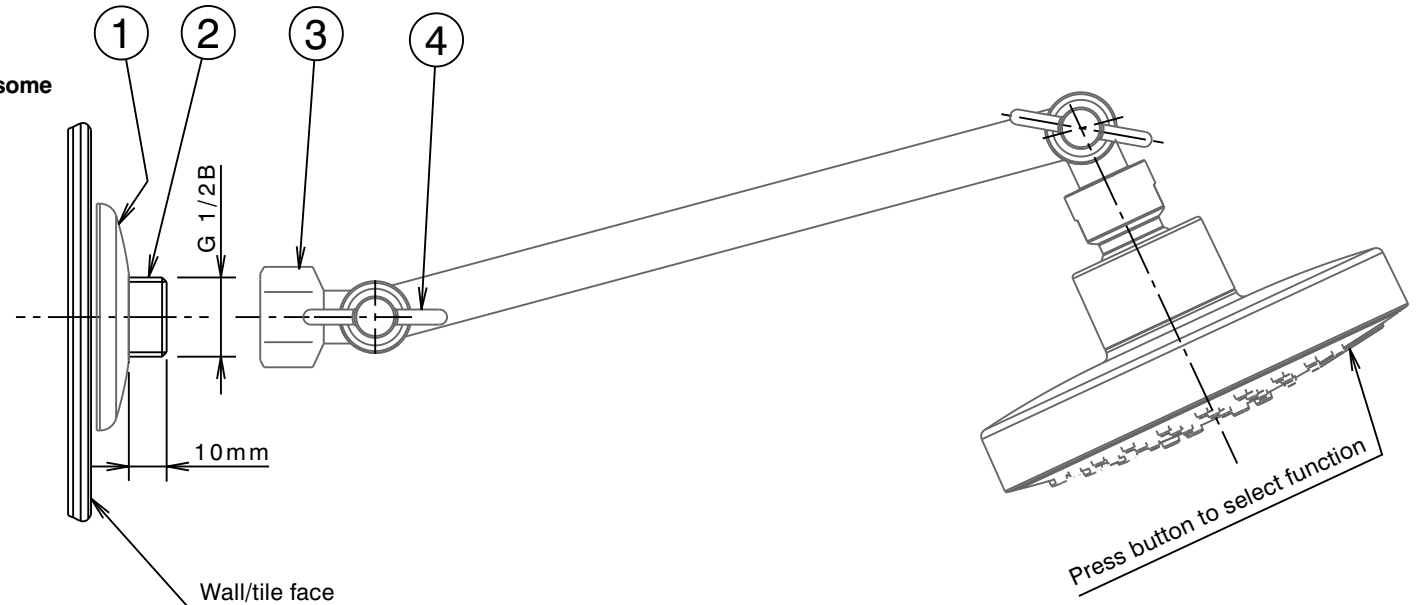
### PLUMBERS INSTALLATION INSTRUCTIONS

#### Important Information

- \* The shower head is fitted with a flow regulator.
- \* Not suitable for gravity feed systems.
- \* The flow of water to the shower is regulated. This lower flow rate may not be suitable for connection to some gravity fed Water Heaters, low pressure supply networks, Instantaneous Water Heaters, Tempering Valves, Solar Water Heaters & Thermostatic Mixing Valves. Check with the manufacturers of these products.
- \* All pipework must be thoroughly flushed prior to installation, as foreign materials may block the flow regulating device and reduce the flow of water.
- \* Turn off hot and cold water supplies before installation.

#### Installation

- 1) Check that threaded nipple (2) is the correct length, as shown. Cut to length if required ensuring end face is square. Apply thread tape to the thread.  
**Important :** Care must be taken that thread tape cannot become dislodged and block the flow regulating device, causing a reduction in water flow.
- 2) Place the cover plate (1) over the threaded nipple (2) and position with the **C** marking at the bottom. Screw the inlet socket (3) onto the threaded nipple (2) and position shower as required. **DO NOT OVERTIGHTEN.**  
**Note-** When adjusting inclination of the shower it is recommended that the hot and cold taps are turned off. Unscrew wing nut (4) one half turn, position shower as required then tighten wing nut (4) by hand.



#### SHOWER HEAD - THREE FUNCTIONS

- NORMAL SPRAY. (Outer)
- COMBINATION SPRAY. (Outer + Inner)
- MASSAGE SPRAY. (Inner)

#### **IMPORTANT**

##### Pressure & Temperature Requirements.

- Hot and cold water inlet pressures should be equal.
- Static Inlet pressure range : 150 -1000 kPa  
New Regulation:- 500 kPa maximum static pressure at any outlet within a building. (Ref. AS/NZS 3500.1)
- Maximum hot water temperature : 80°C.

+

IS1710A(08/17)