

MK03 KITCHEN MIXER

meir®

MATTE BLACK
MK03

CHROME
MK03-C

CHAMPAGNE
MK03-CH

TIGER
BRONZE
MK03-BB

AVAILABLE
FINISH



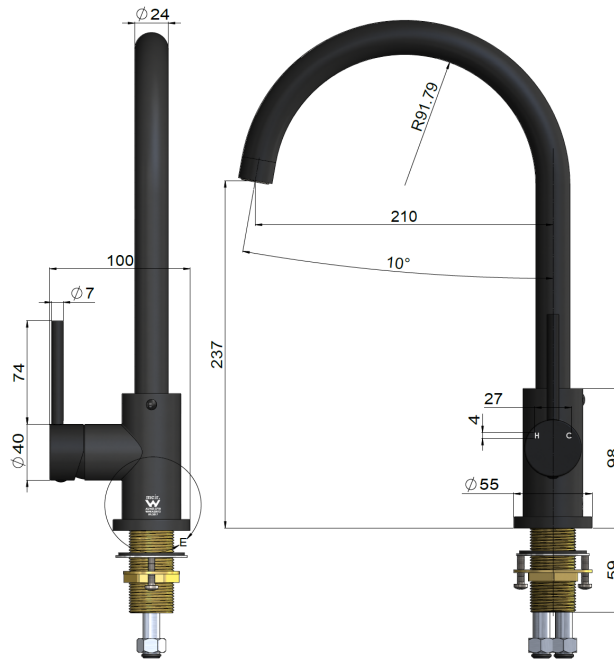
FEATURES

- 10 Year warranty
- Flow rate 6.5 L p/m
- European components and cartridge
- Solid brass construction
- Box Weight 2.2 Kg

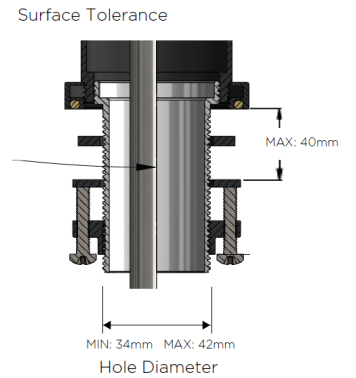
CARE

- Do not install tapware using any form of acetone silicones.
- Do not apply physical items (such as tools) directly to product.
- Never use house-hold or commercial detergents, citrus based cleaners, or abrasive cleaners.
- Clean using a mild washing soap solution rinsed, and dry with a soft cloth.
- Check for any product defects before installation.
- Refer to the installation manual for correct installation.

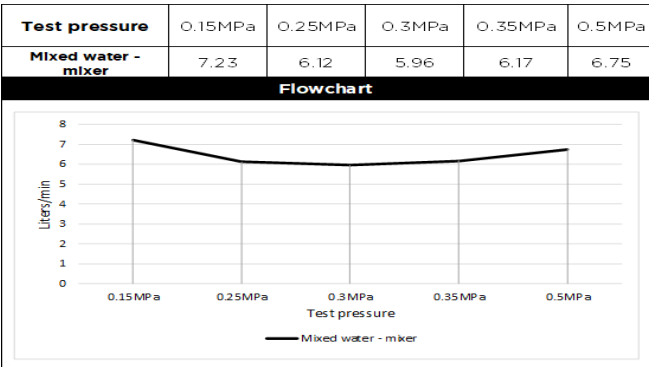
SPECIFICATIONS



TOLERANCES



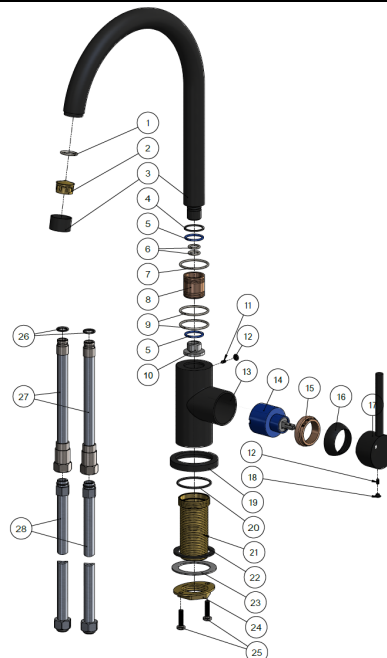
FLOW RATE GRAPH



CREDENTIALS

- Watermark AS/NZS3718WMKA25013
- Wels Rated 4 Star

EXPLODED VIEW



NO.	Part Number
1	O-ring
2	Aerator
3	Spout
4	Washer
5	Wear-resisting ring
6	O-ring
7	O-ring
8	Connector
9	O-ring
10	Nut
11	Screw
12	Decor knob
13	Body
14	D35 cartridge
15	Nut
16	Decor cover
17	Handle
18	Decor knob
19	Base
20	O-ring
21	Thread tube
22	Flat washer
23	Washer
24	Mount nut
25	Bolt
26	O-ring
27	Connecting tube
28	Inlet hose