

MP09 ROUND SOAP DISPENSER



meir®

MATTE BLACK
MP08

AVAILABLE
FINISHES

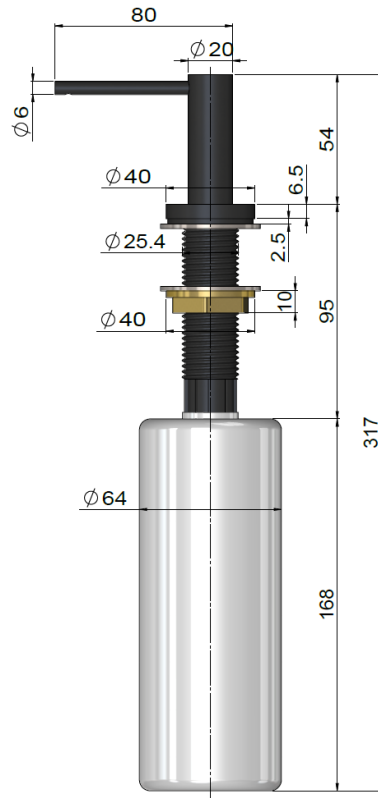
FEATURES

- 10 Year warranty
- Solid stainless steel pump
- Box Weight **0.23 kg**

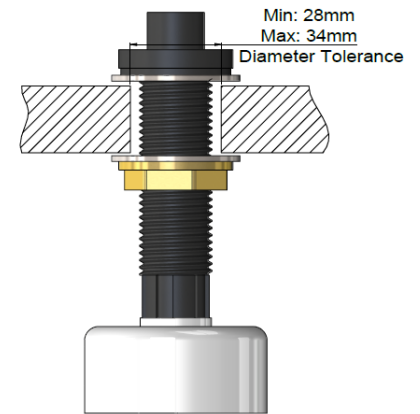
CARE

- Do not install tapware using any form of acetone silicones.
- Do not apply physical items (such as tools) directly to product.
- Never use house-hold or commercial detergents, citrus based cleaners, or abrasive cleaners.
- Clean using a mild washing soap solution rinsed, and dry with a soft cloth.
- Check for any product defects before installation.
- Refer to the installation manual for correct installation.

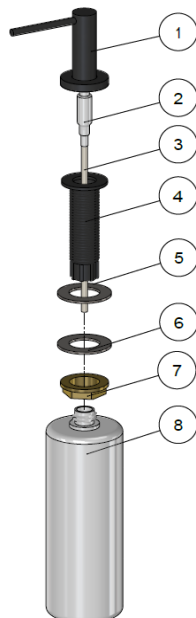
SPECIFICATIONS



TOLERANCES



EXPLODED VIEW



No.	Part Name
1	Dispenser
2	Pump
3	Pump Tube
4	Threaded Flange
5	Washer
6	Washer
7	Locknut
8	Bottle